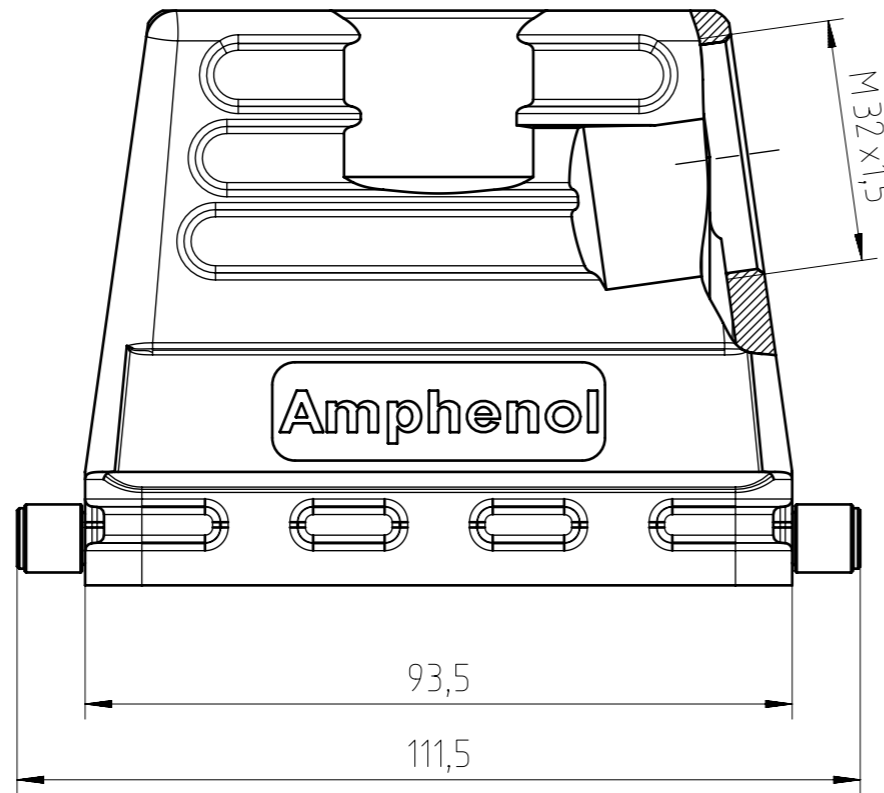
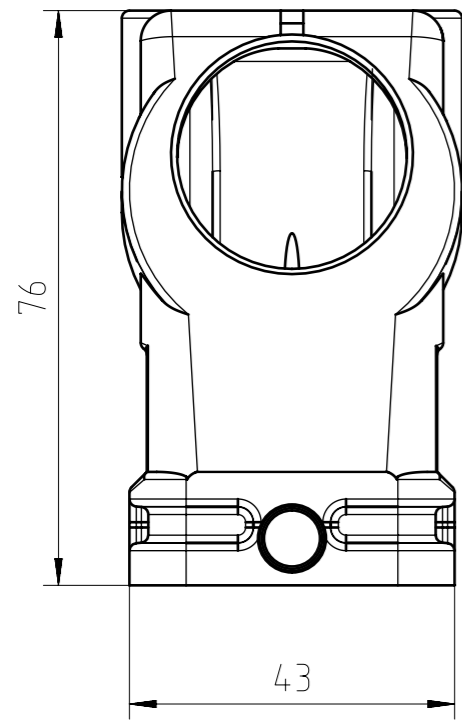
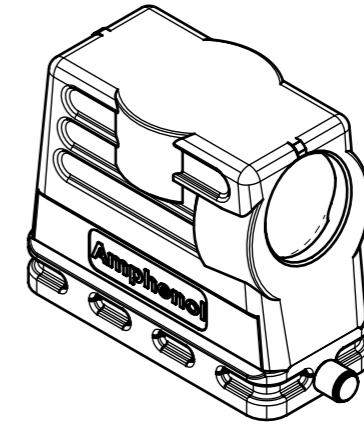
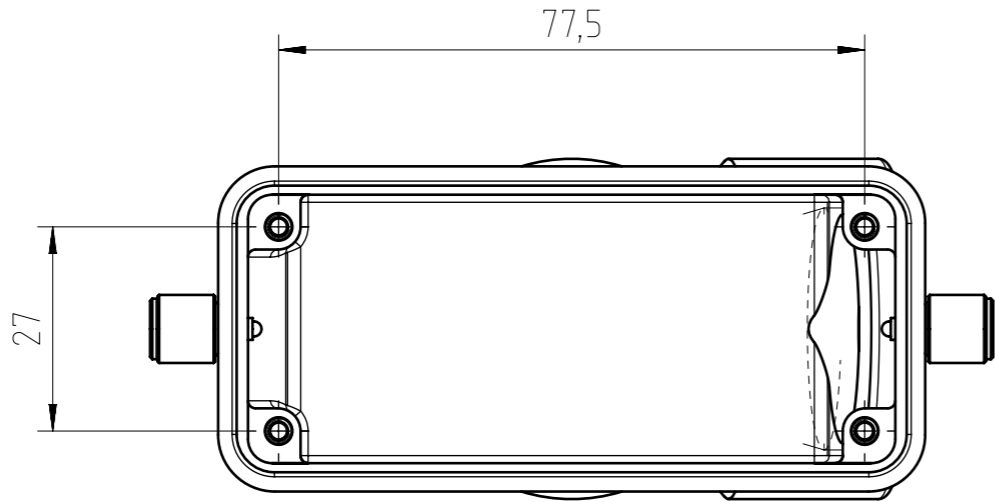


Find out more about our products on:  
[www.amphenol-industrial.de](http://www.amphenol-industrial.de)



General Characteristics	Standard	Value
Type		hood
Protection class	IEC 60529	IP65 & IP66
Locking system	DIN EN 175 301-801 (DIN 43 652)	1 locking lever
Cable entry & position		M32 side
Climatical Characteristics	Standard	Value
Operating temperature	IEC 60068-1	-40°C - +100°C
Mechanical Characteristics	Standard	Value
Mechanical operation	IEC 60512-9-1	≥500 mating cycles
Materials		Value
Housing material		Al (aluminium) alloy
Housing surface		powder coated
Housing color		grey (similar to RAL 9006)
Locking system material & surface		steel Zn-plated, stainless steel

Gewicht (errechnet) / Calc WT: 191,2 g		Zul. Abw./Tolerances:		Maßstab / Scale: 1:1 (1:2)		A3			
Prüfmaß / Testdimension		ISO 2768-m		DIN / ISO 13715		CUSTOMER DRAWING			
Teileindex / Partindexnumber:									
Bagatelle change:						Tüllengehäuse E16 M32 hood E16 M32			
		Gez. 16.04.2021				M C146 21R016 506 8			
		Drawn APN_MSEIDEL							
		Status Released				Blatt / Sheet 1			
		Gepr. 20.04.2021							
		Checked MBERTSCH				1 Bl.			
01 202100101		01.09.2021		PWÖLF		Ers. f. / Replacement for:			
Index		Änderung / Description		Datum / Date					

Alle technischen Daten wurden unter Laborbedingungen ermittelt und können im Praxisbetrieb abweichen.  
Es handelt sich bei den Angaben weder um Beschaffenheits- noch um Haltbarkeitsgarantien.  
All technical data have been measured in a laboratory environment and can be different during practical usage of the product. Any product information is for descriptive usage only and not legally binding; particularly the information does not constitute or provide any legal guarantees ("Beschaffenheitsgarantie" or "Haltbarkeitsgarantie").