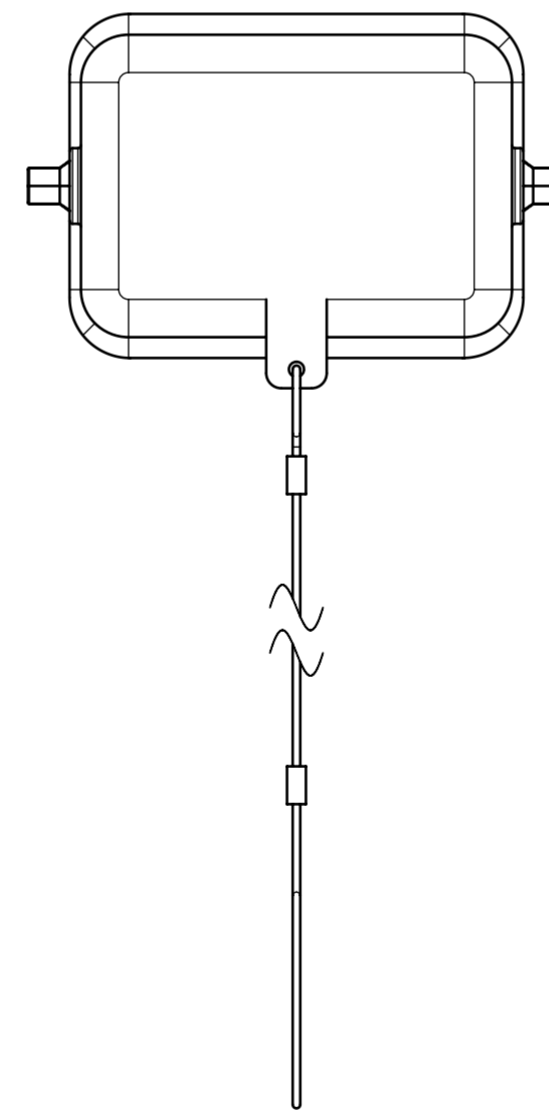
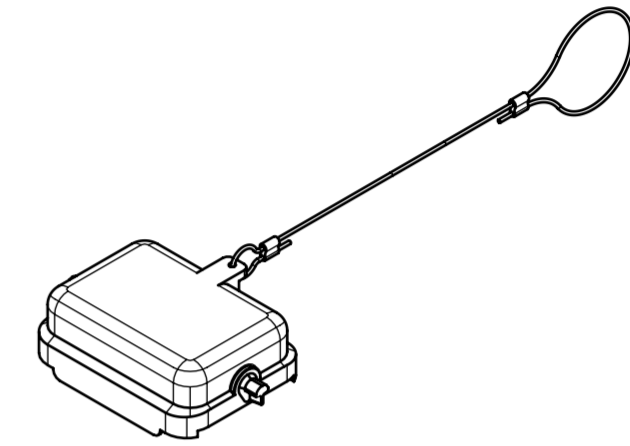
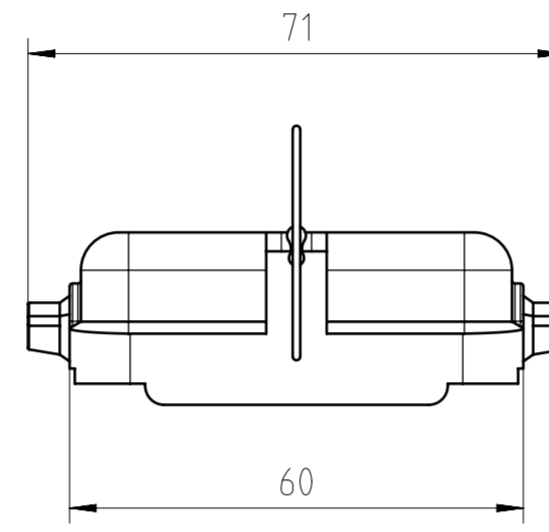
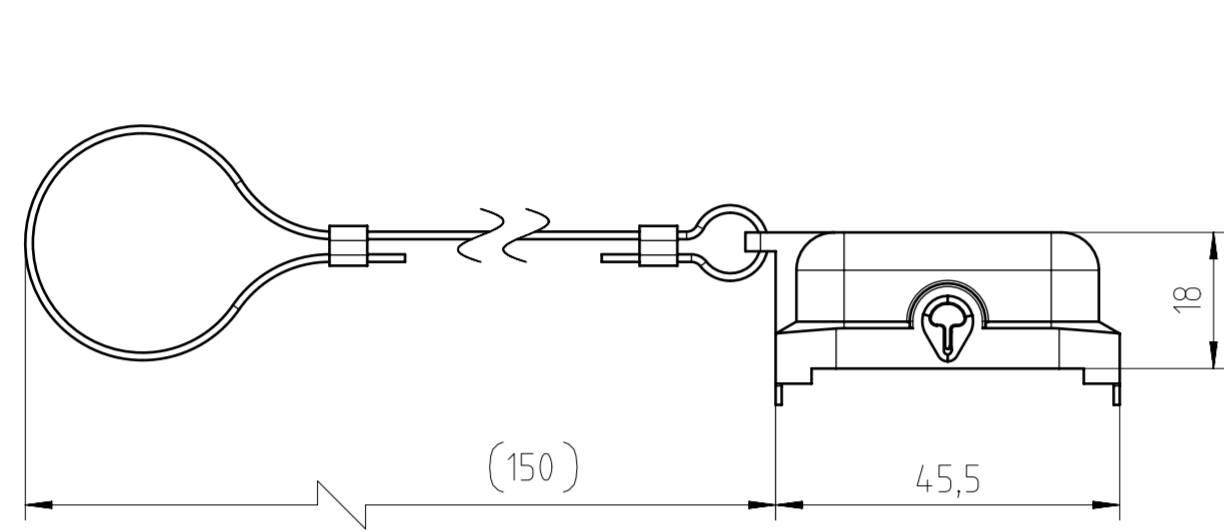


Find out more about our products on:  
[www.amphenol-industrial.de](http://www.amphenol-industrial.de)



| General Characteristics    | Standard                        | Value              |
|----------------------------|---------------------------------|--------------------|
| Type                       |                                 | protective cover   |
| Protection class           | IEC 60529                       | IP65 & IP66        |
| Locking System             | DIN EN 175 301-801 (DIN 43 652) | 1 locking lever    |
| Cable entry & position     |                                 | -                  |
| Climatical Characteristics | Standard                        | Value              |
| Operating temperature      | IEC 60068-1                     | -40°C - +100°C     |
| Mechanical Characteristics | Standard                        | Value              |
| Mechanical operation       | IEC 60512-9-1                   | ≥500 mating cycles |
| Materials                  | Value                           |                    |
| Cover material             | PA-GF                           |                    |
| Cover color                | grey (similar to RAL 7001)      |                    |
| Cover flammability         | HB acc. to UL 94                |                    |

Alle technischen Daten wurden unter Laborbedingungen ermittelt und können im Praxisbetrieb abweichen. Es handelt sich bei den Angaben weder um Beschaffenheits- noch um Haltbarkeitsgarantien. All technical data have been measured in a laboratory environment and can be different during practical usage of the product. Any product information is for descriptive usage only and not legally binding; particularly the information does not constitute or provide any legal guarantees ("Beschaffenheitsgarantie" or "Haltbarkeitsgarantie").

Weitergabe sowie Vervielfältigung dieser Unterlage, Verwertung und Mitteilung ihres Inhalts nicht gestattet, soweit nicht ausdrücklich zugestanden. Zuwiderhandlungen verpflichten zu Schadenersatz. Alle Rechte für den Fall der Patenterteilung oder Gebrauchsmuster-Eintragung vorbehalten.

Copying of this document and giving it to others and the use or communication of the contents thereof, are forbidden without express authority. Offenders are liable to the payment of damages. All rights are reserved in the event of the grant of a patent or the registration of the utility model or design.

|                                       |  |                            |                   |                            |
|---------------------------------------|--|----------------------------|-------------------|----------------------------|
| Gewicht (errechnet) / Calc. WT.: 25 g | Zul. Abw./Tolerances:                  | Maßstab / Scale: 1:1 (1:2) | A2                |                            |
| Prüfmaß / Testdimension               | ISO 2768-mH                            | CUSTOMER DRAWING           |                   |                            |
| Teilindex / Partindexnumber:          |  |                            |                   |                            |
| Bagatelle change:                     |  |                            |                   |                            |
|                                       | Gez. 11.10.2021                        | Deckel E6<br>cover E6      |                   |                            |
|                                       | Drawn PWOLFFLE                         |                            |                   |                            |
|                                       | Status Released                        |                            |                   |                            |
|                                       | Gepr. 11.10.2021                       |                            |                   |                            |
|                                       | Checked MBERTSCH                       |                            |                   |                            |
|                                       | <b>Amphenol Tuchel Industrial GmbH</b> | M                          | C146 10Z006 100 1 | Blatt/Sheet<br>1<br>1 Bl.  |
| 02                                    | 202100101                              | 11.10.2021                 | PWÖLF             | Ers. f. / Replacement for: |
| Index                                 | Änderung/Description                   | Datum/Date                 | Name              |                            |

NXM-V01 FAI2021-004244