

Amphenol

GEC | TPI

CHINA

Asia Pacific

ChangZhou, China

Tel: +86 519-8981 9713

Email: sales@amphenol-gec.com

Add: No.11 Fengxiang Road, New District,
Changzhou, Jiangsu, China

P.C: 213001

GuangZhou, China

Tel: +86 20-3210 6099

Add: 9th Floor, No.10, the 4th Street, Kehui
Jingu, Huangpu District, Guangzhou, China

P.C: 510663

North America

Winnipeg, Canada

Tel: +1 204 697 2222

Email: sales@tpil.com

Add: 2110 Notre Dame Avenue

Nogales, Mexico

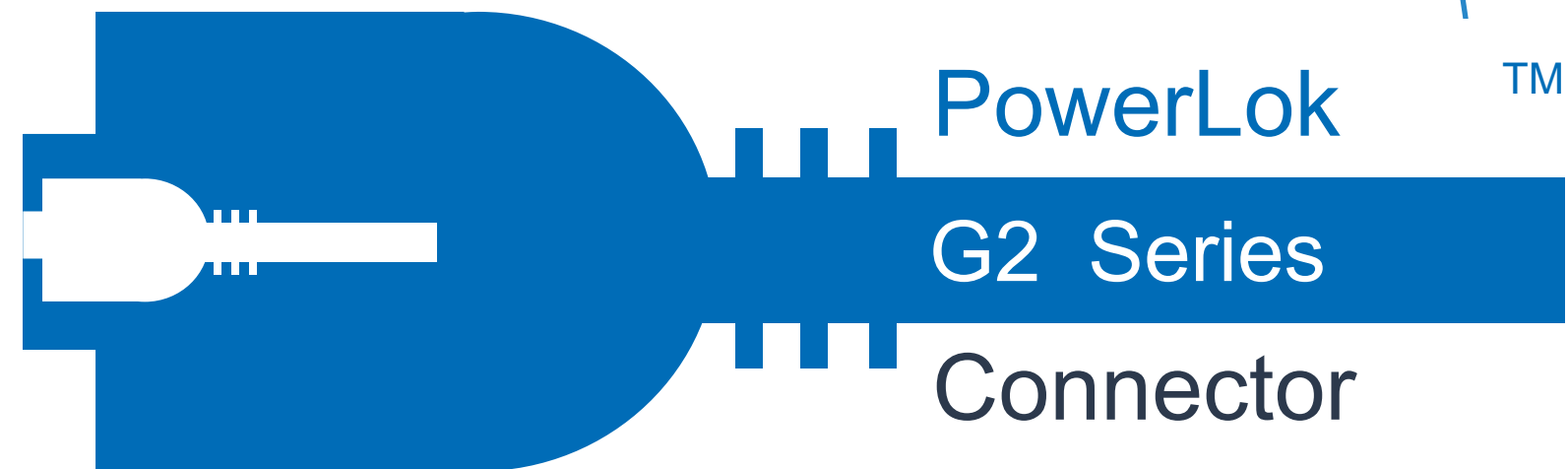
Tel: +52(55) 5258 9984

Add: 482 Mariposa Road Building A, 85621

Website www.tpil.com

October 2023, Rev. B

Amphenol
GEC | TPI
POWERLOK



AMPHENOL

Amphenol



ABOUT US

Amphenol is a technology leader in the design, manufacture and supply of high-performance interconnect systems, sensors and antennas for a broad range of industrial applications.

Amphenol's core competencies include application-specific industrial interconnect solutions utilizing integrated assemblies with both cable and flexible printed circuits, high-power interconnects requiring advance engineering and system integration. Our innovative solutions facilitate the increasing demands of embedded computing and power distribution. Applying years of experience, we offer specialist engineering services to help customer fulfill any requirement or specification. We anticipate our customers' needs and exceed their expectations.

CONTENTS

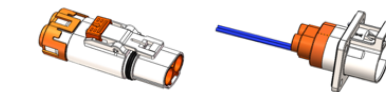


PowerLok™ G2 Connector

01/22

POWERLOK G2 series is a high performance, compact, aluminum alloy interconnect solution utilizing RADSOK contact-technology for EV and Hybrid transportation applications. G2 provides electrical ratings up to 1500VDC and 450A (at 50°C Ambient) with IP67/9K sealing, 360° shielding, multiple keying options, straight and right angle configurations, and up to 3 positions. G2 is available as field assembled connectors which accommodate shielding cable sizes from 35mm² to 120mm².

POWERLOK G2 series connectors are engineered for a diverse set of applications including electric power distribution for automotive, truck, bus, agricultural, construction and off-road vehicles.



PowerLok™ 4.0 G2 Connector

23/26

POWERLOK 4.0 G2 series is a low cost compact metal-shell interconnect solution for accessory power and signal connections for EV and Hybrid transportation applications. Up to space 1000V ranging from 5A-60A with HVIL, 360° shielding, environmental sealing and with cable sizes from 2.5mm² to 10mm². With finger touch resistant structure.

POWERLOK™ G2 CONNECTOR



■ Application

POWERLOK G2 series is a high performance, compact, aluminum alloy interconnect solution utilizing RADSOK contact technology for EV and Hybrid transportation applications. G2 provides electrical ratings up to 1500VDC and 450A (at 50 ° C Ambient) with IP67/9K sealing, 360 ° shielding, multiple keying options, straight and right angle configurations, and up to 3 positions. G2 is available as field assembled connectors which accommodate shielding cable sizes from 35mm² to 120mm². POWERLOK G2 series connectors are engineered for a diverse set of applications including electric power distribution for automotive, truck, bus, agricultural, construction, and off-road vehicles.

■ Key Features

- Voltage Rating: 1500VDC
- DC Current Rating: up to 450A at 50 ° C Ambient
- Insulation Resistance: 500MΩ
- IP rating: IP67&IP6K9K (mated), IP2X (unmated)
- Salt Spray: 480H (ISO 9227)
- Mating Cycle: 100Min
- Temperature range: -40/ +125 ° C
- UL 94 V-0 compliance (plastic components)
- Lever lock with CPA
- Modular design, Common Internal Components
- Vibration class : LV214 Level 2
- 1POS, 2POS, 3POS Positions Available
- 90D(Right angle) and 180D(Straight) Plug Orientations
- Multiple Keys Available:
 - 1POS (X,Y,U,V,W,T keys)
 - 2POS (X,Y,U,V,W,T keys)
 - 3POS (X,Y keys)
- RADSOK Contact Technology
- High Voltage Interlock
- 360 ° Shielding, Low Shielding Resistance
- RoHS/REACH Compliant

■ PowerLok™ G2 Recommended Cable Size & Current Rating

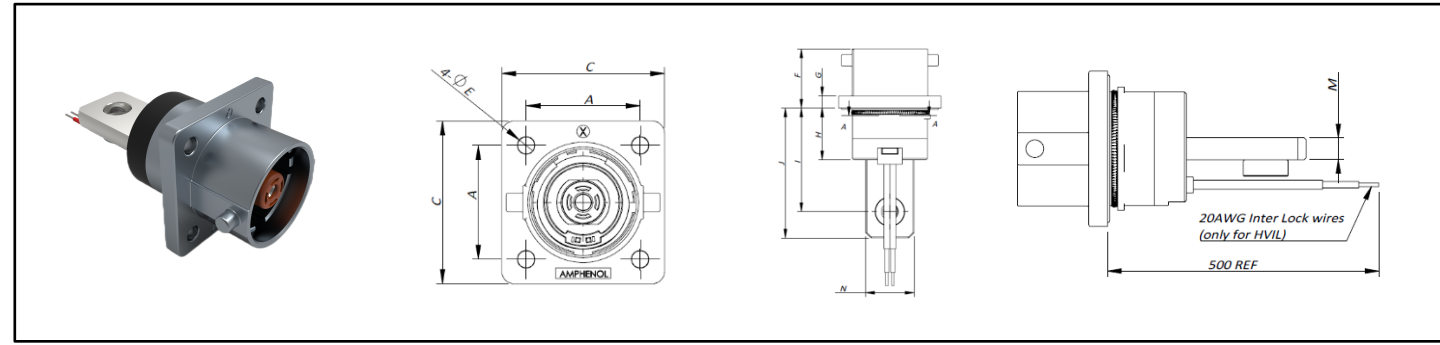
Series	Accepted Cable Size	Current Rating
300 Series	35mm ²	150A
	50mm ²	200A
	70mm ²	250A
	95mm ²	300A
500 Series	70mm ²	250A
	95mm ²	300A
	120mm ²	400A

*Contact us for customization options.

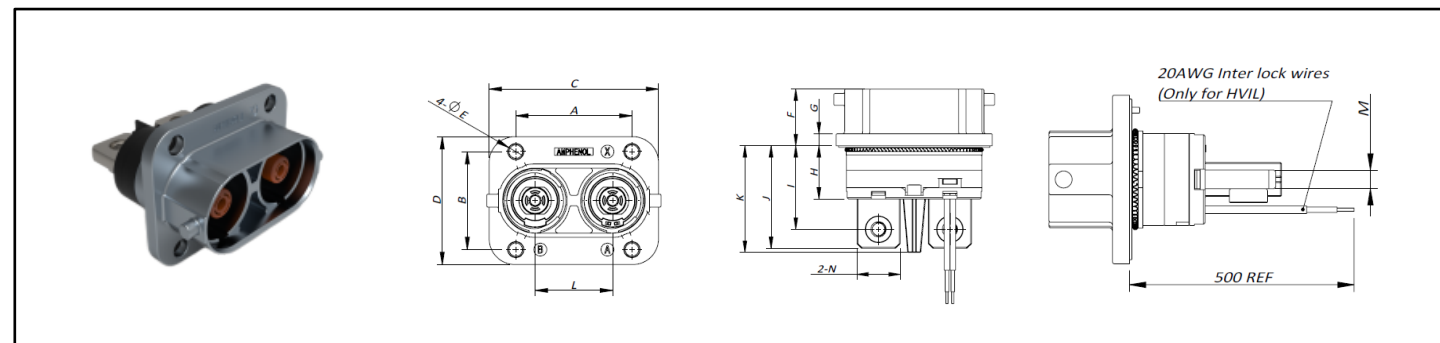
PowerLok™ G2 Receptacle

Series	180 Degree Busbar Lug						Thread Pin				Tubular Lug		90 Degree Busbar Lug	
	1 POS		2 POS		3 POS		1 POS		2 POS		1 POS		1 POS	
	With HVIL	W/O HVIL	With HVIL	W/O HVIL	With HVIL	W/O HVIL	With HVIL	W/O HVIL	With HVIL	W/O HVIL	With HVIL	W/O HVIL	With HVIL	W/O HVIL
300A	*	*	*	*	*	*	*	*	*	*	*	*	*	*
500A	*	*										*	*	*

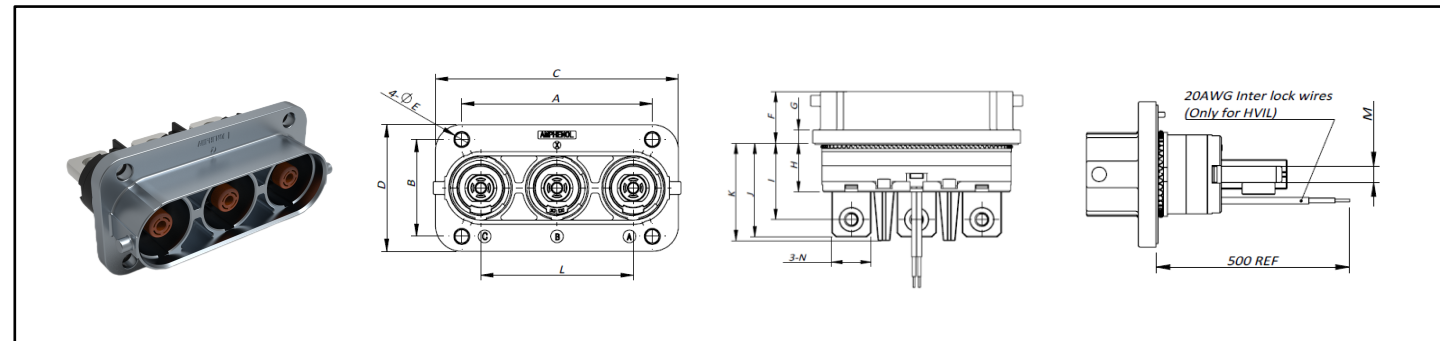
180 Degree Busbar Lug Receptacle



Product	180 Degree Busbar Lug 1POS Dimensions (mm)										
	Series	A	C	E	F	G	H	I	J	M	N
PowerLok™ 1POS 180 Degree Busbar Lug Receptacle	300A	27.00	38.60	φ4.20	22.40	4.70	19.60	39.30	49.30	5.50	18.20
	500A	33.50	45.00	φ4.30	28.90	5.70	23.80	46.00	56.00	7.00	21.00

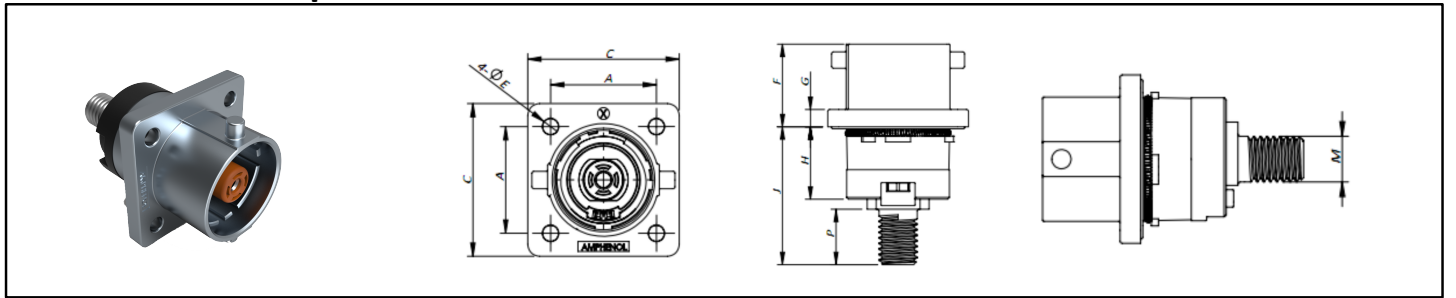


Product	180 Degree Busbar Lug 2POS Dimensions (mm)														
	Series	A	B	C	D	E	F	G	H	I	J	K	L	M	N
PowerLok™ 2POS 180 Degree Busbar Lug Receptacle	300A	45.00	38.00	65.60	49.60	φ6.30	23.70	5.00	22.30	35.00	43.00	44.70	30.00	5.50	18.20

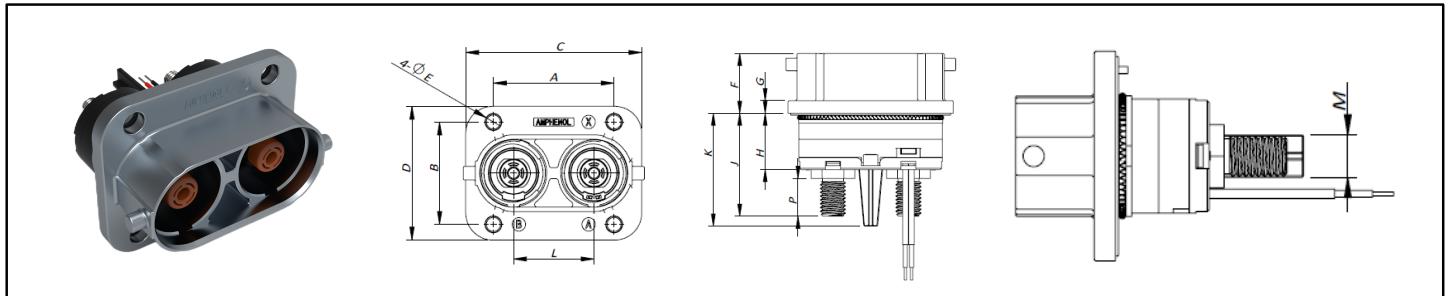


Product	180 Degree Busbar Lug 3POS Dimensions (mm)														
	Series	A	B	C	D	E	F	G	H	I	J	K	L	M	N
PowerLok™ 3POS 180 Degree Busbar Lug Receptacle	300A	75.00	38.00	95.60	49.60	φ6.30	23.70	6.00	22.30	35.00	43.00	44.70	60.00	5.50	18.20

Thread Pin Receptacle

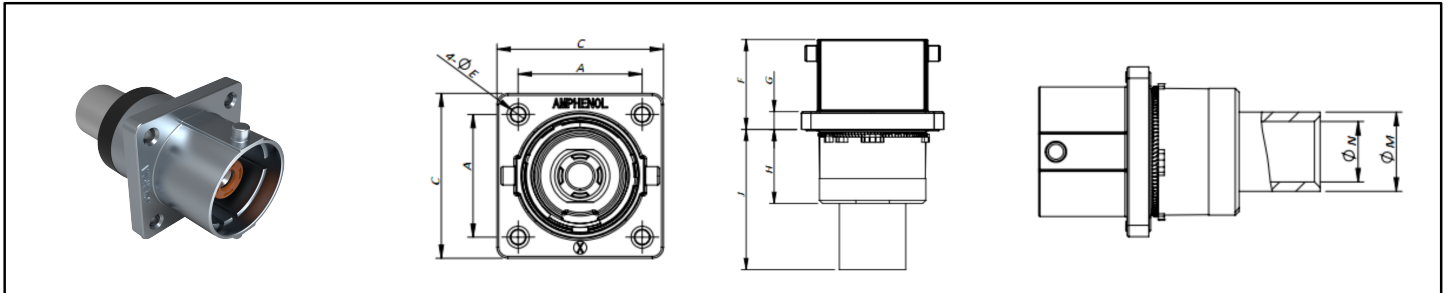


Product	Thread Pin 1POS Dimensions (mm)									
	Series	A	C	E	F	G	H	J	M	N
PowerLok™ 1POS Thread Pin Receptacle	300A	27.00	38.60	φ4.20	22.40	4.70	19.60	34.30	M6	12.00
								37.30	M8	15.00
								37.30	M10	15.00



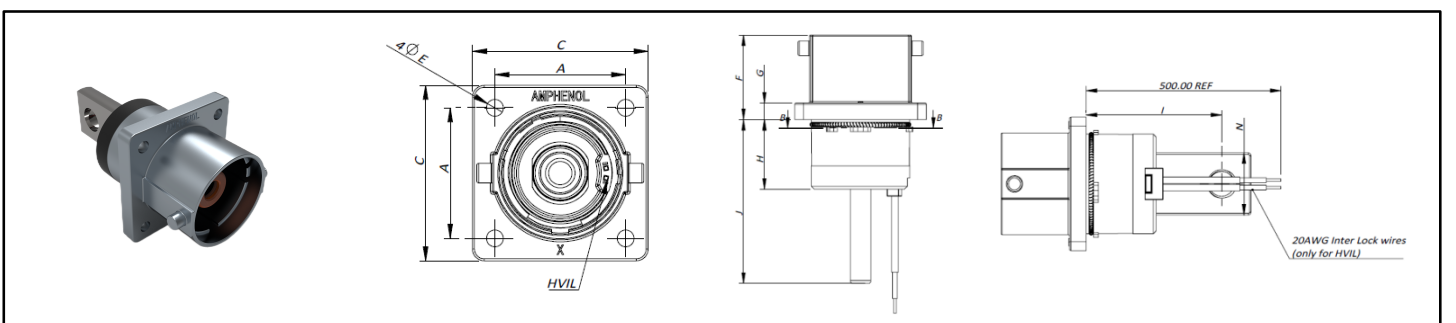
Product	Thread Pin 2POS Dimensions (mm)													
	Series	A	B	C	D	E	F	G	H	J	K	L	M	P
PowerLok™ 2POS Thread Pin Receptacle	300A	45.00	38.00	65.60	49.60	φ10.00	23.70	5.00	22.30	37.80	44.70	30.00	M6	12.00
										40.80			M8	15.00
										40.80			M10	15.00

Tubular Lug Receptacle



Product	Tubular Lug 1POS Dimensions (mm)									
	Series	A	C	E	F	G	H	J	M	N
PowerLok™ 1POS Tubular Lug Receptacle	500A	33.50	45.00	φ4.30	28.90	5.70	23.80	45.10	21.00	16.00

90 Degree Busbar Lug Receptacle

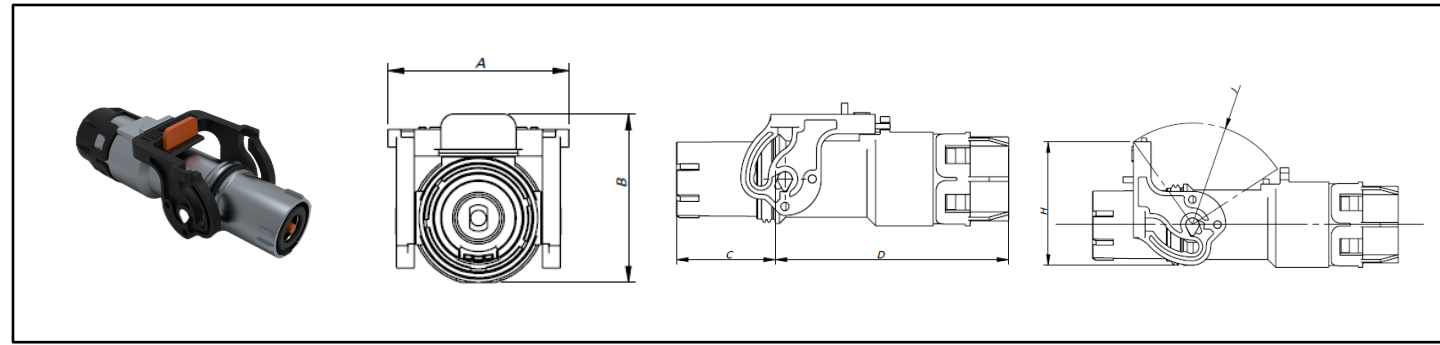


Product	90 Degree Busbar Lug 1POS Dimensions (mm)										
	Series	A	C	E	F	G	H	I	J	M	N
PowerLok™ 1POS 90 Degree Busbar Lug Receptacle	300A	27.00	38.60	φ4.20	22.40	4.70	19.60	39.30	49.30	5.50	18.20
	500A	33.50	45.00	φ4.30	28.90	5.70	23.80	46.00	56.00	7.00	21.00

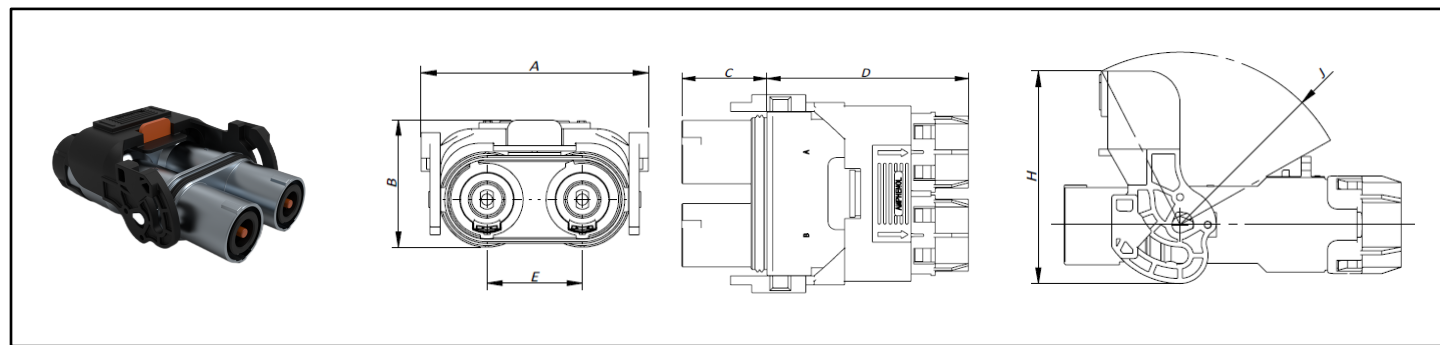
PowerLok™ G2 Plug

Series	1 POS		2POS		3POS	
	Assembly Type		Assembly Type		Assembly Type	
	Straight	Right Angle	Straight	Right Angle	Straight	Right Angle
300A	*	*	*	*	*	*
500A	*	*				

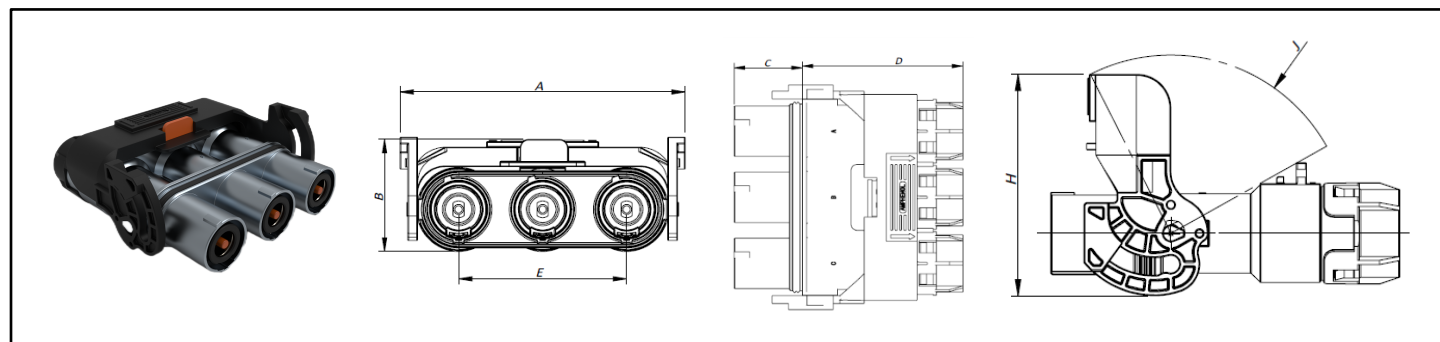
Straight Assembly Plug



Product	Straight Plug 1POS Dimensions (mm)						
	Series	A	B	C	D	H	J
PowerLok™ 1POS Straight Assembly Plug	300A	41.00	38.00	30.80	72.70	41.90	R34.40
	500A	47.20	43.55	41.10	74.70	49.90	R38.40

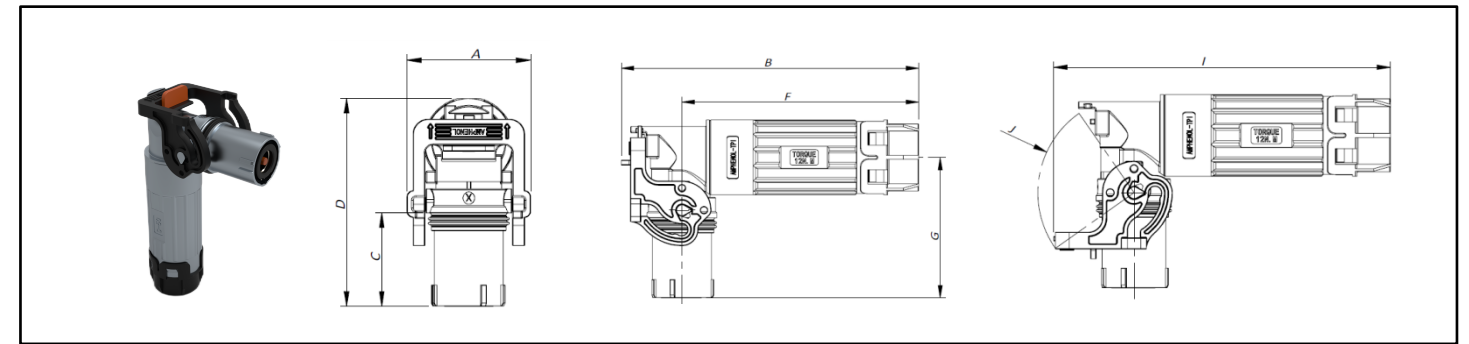


Product	Straight Plug 2POS Dimensions (mm)							
	Series	A	B	C	D	E	H	J
PowerLok™ 2POS Straight Assembly Plug	300A	71.50	39.95	30.80	72.70	30.00	65.20	R53.00

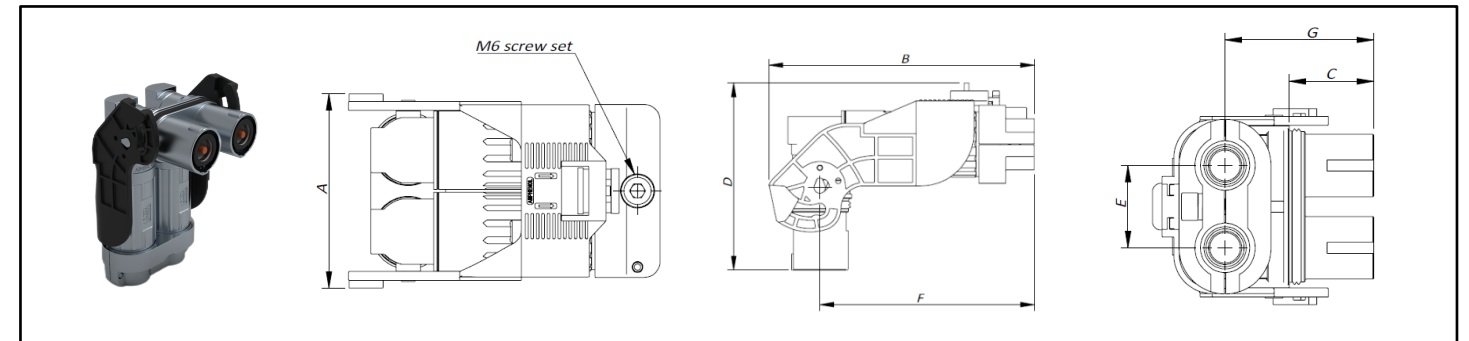


Product	Straight Plug 3POS Dimensions (mm)							
	Series	A	B	C	D	E	H	J
PowerLok™ 3POS Straight Assembly Plug	300A	101.80	39.95	30.80	72.70	60.00	65.70	R52.90

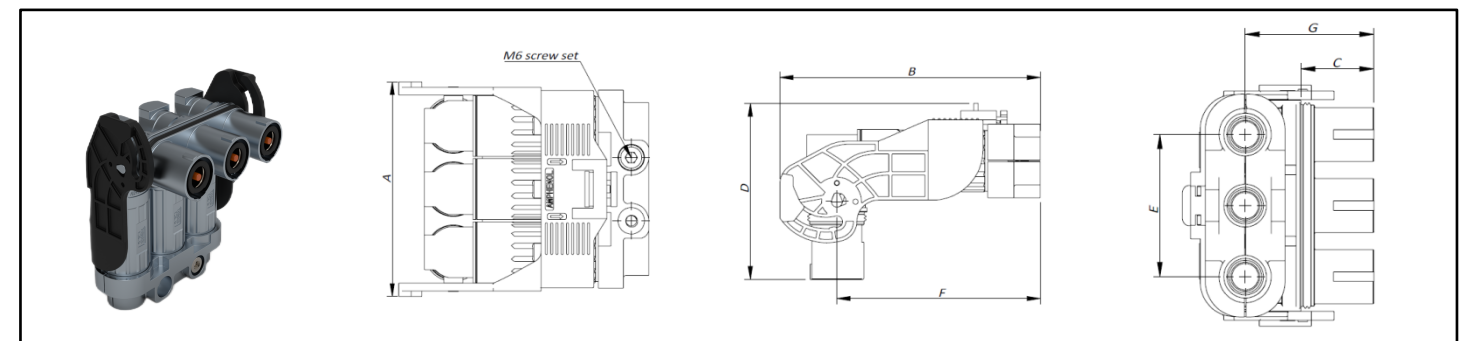
Right Angle Assembly Plug



Product	Right Angle Plug 1POS Dimensions (mm)								
	Series	A	B	C	D	F	G	I	J
PowerLok™ 1POS Right Angle Assembly Plug	300A	41.00	115.10	30.50	68.60	91.60	54.30	120.30	R34.40
	500A	47.20	128.05	41.10	87.85	102.00	69.95	134.50	R38.40



Product	Right Angle Plug 2POS Dimensions (mm)										
	Series	A	B	C	D	E	F	G	H	I	J
PowerLok™ 2POS Right Angle Assembly Plug	300A	71.50	114.80	30.80	80.65	30.00	92.80	54.20	118.25	115.95	R83.80



Product	Right Angle Plug 3POS Dimensions (mm)										
	Series	A	B	C	D	E	F	G	H	I	J
PowerLok™ 3POS Right Angle Assembly Plug	300A	101.80	118.80	30.80	118.80	60.00	92.80	54.20	109.50	137.85	R83.80

Ordering Information - Receptacle

PowerLok™ G2 1POS Receptacle (180 Degree Busbar Lug)

Product Type	Connector Type	Key	Current & HVIL	Termination Size	
PowerLok™ G2	00 1POS Receptacle	X Orange	300 300A W/O HVIL	180 Degree Busbar Lug	D+Stud Size
		Y Black	301 300A W HVIL		M+Stud Size
		U Yellow	500 500A W/O HVIL		PM+Stud Size
		V Green	501 500A W HVIL		
		W Red			
		T Blue			

Series	Key	180 Degree Busbar Lug (1POS)					
		Termination & HVIL	Description	Part Number	Termination & HVIL	Description	Part Number
300A	X	M6 With HVIL	PL00X-301-10M6-2	AC-HA010668	M6 W/O HVIL	PL00X-300-10M6-2	AC-HA010632
	Y		PL00Y-301-10M6-2	AC-HA010669		PL00Y-300-10M6-2	AC-HA010633
	U		PL00U-301-10M6-2	AC-HA010670		PL00U-300-10M6-2	AC-HA010634
	V		PL00V-301-10M6-2	AC-HA010671		PL00V-300-10M6-2	AC-HA010635
	W		PL00W-301-10M6-2	AC-HA010672		PL00W-300-10M6-2	AC-HA010636
	T		PL00T-301-10M6-2	AC-HA010673		PL00T-300-10M6-2	AC-HA010637
	X	M8 With HVIL	PL00X-301-10M8-2	AC-HA010674	M8 W/O HVIL	PL00X-300-10M8-2	AC-HA010638
	Y		PL00Y-301-10M8-2	AC-HA010675		PL00Y-300-10M8-2	AC-HA010639
	U		PL00U-301-10M8-2	AC-HA010676		PL00U-300-10M8-2	AC-HA010640
	V		PL00V-301-10M8-2	AC-HA010677		PL00V-300-10M8-2	AC-HA010641
	W		PL00W-301-10M8-2	AC-HA010678		PL00W-300-10M8-2	AC-HA010642
	T		PL00T-301-10M8-2	AC-HA010679		PL00T-300-10M8-2	AC-HA010643
	X	D6 With HVIL	PL00X-301-10D6-2	AC-HA010686	D6 W/O HVIL	PL00X-300-10D6-2	AC-HA010650
	Y		PL00Y-301-10D6-2	AC-HA010687		PL00Y-300-10D6-2	AC-HA010651
	U		PL00U-301-10D6-2	AC-HA010688		PL00U-300-10D6-2	AC-HA010652
	V		PL00V-301-10D6-2	AC-HA010689		PL00V-300-10D6-2	AC-HA010653
	W		PL00W-301-10D6-2	AC-HA010690		PL00W-300-10D6-2	AC-HA010654
	T		PL00T-301-10D6-2	AC-HA010691		PL00T-300-10D6-2	AC-HA010655
	X	D8 With HVIL	PL00X-301-10D8-2	AC-HA010692	D8 W/O HVIL	PL00X-300-10D8-2	AC-HA010656
	Y		PL00Y-301-10D8-2	AC-HA010693		PL00Y-300-10D8-2	AC-HA010657
	U		PL00U-301-10D8-2	AC-HA010694		PL00U-300-10D8-2	AC-HA010658
	V		PL00V-301-10D8-2	AC-HA010695		PL00V-300-10D8-2	AC-HA010659
	W		PL00W-301-10D8-2	AC-HA010696		PL00W-300-10D8-2	AC-HA010660
	T		PL00T-301-10D8-2	AC-HA010697		PL00T-300-10D8-2	AC-HA010661
	X	D10 With HVIL	PL00X-301-10D10-2	AC-HA010698	D10 W/O HVIL	PL00X-300-10D10-2	AC-HA010662
	Y		PL00Y-301-10D10-2	AC-HA010699		PL00Y-300-10D10-2	AC-HA010663
	U		PL00U-301-10D10-2	AC-HA010700		PL00U-300-10D10-2	AC-HA010664
	V		PL00V-301-10D10-2	AC-HA010701		PL00V-300-10D10-2	AC-HA010665
W	PL00W-301-10D10-2		AC-HA010702	PL00W-300-10D10-2		AC-HA010666	
T	PL00T-301-10D10-2		AC-HA010703	PL00T-300-10D10-2		AC-HA010667	
X	PM6 With HVIL	PL00X-301-10PM6-2	AC-HA012144	PM6 W/O HVIL	PL00X-300-10PM6-2	AC-HA012138	
Y		PL00Y-301-10PM6-2	AC-HA012145		PL00Y-300-10PM6-2	AC-HA012139	
U		PL00U-301-10PM6-2	AC-HA012146		PL00U-300-10PM6-2	AC-HA012140	
V		PL00V-301-10PM6-2	AC-HA012147		PL00V-300-10PM6-2	AC-HA012141	
W		PL00W-301-10PM6-2	AC-HA012148		PL00W-300-10PM6-2	AC-HA012142	
T		PL00T-301-10PM6-2	AC-HA012149		PL00T-300-10PM6-2	AC-HA012143	

500A	X	M8 With HVIL	PL00X-501-10M8-2	AC-HA011180	M8 W/O HVIL	PL00X-500-10M8-2	AC-HA011160
	Y		PL00Y-501-10M8-2	AC-HA011181		PL00Y-500-10M8-2	AC-HA011161
	U		PL00U-501-10M8-2	AC-HA011182		PL00U-500-10M8-2	AC-HA011162
	V		PL00V-501-10M8-2	AC-HA011183		PL00V-500-10M8-2	AC-HA011163
	W		PL00W-501-10M8-2	AC-HA011184		PL00W-500-10M8-2	AC-HA011164
	T		PL00T-501-10M8-2	AC-HA011194		PL00T-500-10M8-2	AC-HA0111970
	X	M10 With HVIL	PL00X-501-10M10-2	AC-HA011185	M10 W/O HVIL	PL00X-500-10M10-2	AC-HA011165
	Y		PL00Y-501-10M10-2	AC-HA011186		PL00Y-500-10M10-2	AC-HA011166
	U		PL00U-501-10M10-2	AC-HA011187		PL00U-500-10M10-2	AC-HA011167
	V		PL00V-501-10M10-2	AC-HA011188		PL00V-500-10M10-2	AC-HA011168
	W		PL00W-501-10M10-2	AC-HA011189		PL00W-500-10M10-2	AC-HA011169
	T		PL00T-501-10M10-2	AC-HA011195		PL00T-500-10M10-2	AC-HA0111971
	X	D8 With HVIL	PL00X-501-10D8-2	AC-HA011190	D8 W/O HVIL	PL00X-500-10D8-2	AC-HA011170
	Y		PL00Y-501-10D8-2	AC-HA011191		PL00Y-500-10D8-2	AC-HA011171
	U		PL00U-501-10D8-2	AC-HA011192		PL00U-500-10D8-2	AC-HA011172
	V		PL00V-501-10D8-2	AC-HA011193		PL00V-500-10D8-2	AC-HA011173
	W		PL00W-501-10D8-2	AC-HA011194		PL00W-500-10D8-2	AC-HA011174
	T		PL00T-501-10D8-2	AC-HA011193		PL00T-500-10D8-2	AC-HA0111969
	X	D10 With HVIL	PL00X-501-10D10-2	AC-HA011195	D10 W/O HVIL	PL00X-500-10D10-2	AC-HA011175
	Y		PL00Y-501-10D10-2	AC-HA011196		PL00Y-500-10D10-2	AC-HA011176
U	PL00U-501-10D10-2		AC-HA011197	PL00U-500-10D10-2		AC-HA011177	
V	PL00V-501-10D10-2		AC-HA011198	PL00V-500-10D10-2		AC-HA011178	
W	PL00W-501-10D10-2		AC-HA011199	PL00W-500-10D10-2		AC-HA011179	
T	PL00T-501-10D10-2		AC-HA011196	PL00T-500-10D10-2		AC-HA0111972	

Ordering Information - Receptacle

PowerLok™ G2 1POS Receptacle (Thread Pin)

PL	00	X	-	300	-	20	M6	-	2
Product Type	Connector Type	Key		Current & HVIL			Termination Size		
PowerLok™ G2	00	1POS Receptacle	X	Orange	300	300A W/O HVIL	Thread Pin	M+Stud Size	
			Y	Black					
			U	Yellow					
			V	Green					
			W	Red					
			T	Blue					

Series	Key	Thread Pin (1POS)					
		Termination & HVIL	Description	Part Number	Termination & HVIL	Description	Part Number
300A	X	M6 With HVIL	-	-	M6 W/O HVIL	PL00X-300-20M6-2	AC-HA019911
	Y		-	-		PL00Y-300-20M6-2	AC-HA019912
	U		-	-		PL00U-300-20M6-2	AC-HA019913
	V		-	-		PL00V-300-20M6-2	AC-HA019914
	W		-	-		PL00W-300-20M6-2	AC-HA019915
	T		-	-		PL00T-300-20M6-2	AC-HA019916
	X	M8 With HVIL	-	-	M8 W/O HVIL	PL00X-300-20M8-2	AC-HA019917
	Y		-	-		PL00Y-300-20M8-2	AC-HA019918
	U		-	-		PL00U-300-20M8-2	AC-HA019919
	V		-	-		PL00V-300-20M8-2	AC-HA019920
	W		-	-		PL00W-300-20M8-2	AC-HA019921
	T		-	-		PL00T-300-20M8-2	AC-HA019922
	X	M10 With HVIL	-	-	M10 W/O HVIL	PL00X-300-20M10-2	AC-HA018697
	Y		-	-		PL00Y-300-20M10-2	AC-HA018698
	U		-	-		PL00U-300-20M10-2	AC-HA018699
	V		-	-		PL00V-300-20M10-2	AC-HA018700
	W		-	-		PL00W-300-20M10-2	AC-HA018701
	T		-	-		PL00T-300-20M10-2	AC-HA018702

PowerLok™ G2 1POS Receptacle (Tubular Lug)

PL	00	X	-	500	-	30	D120	-	2
Product Type	Connector Type	Key		Current & HVIL			Termination Size		
PowerLok™ G2	00	1POS Receptacle	X	Orange	500	500A W/O HVIL	Tubular Lug	D+Stud Size	
			Y	Black					
			U	Yellow					
			V	Green					
			W	Red					
			T	Blue					

Series	Key	Tubular Lug (1POS)					
		Termination & HVIL	Description	Part Number	Termination & HVIL	Description	Part Number
500A	X	D120 With HVIL	-	-	D120 W/O HVIL	PL00X-500-30D120-2	AC-HA022268
	Y		-	-		PL00Y-500-30D120-2	AC-HA022269
	U		-	-		PL00U-500-30D120-2	AC-HA022270
	V		-	-		PL00V-500-30D120-2	AC-HA022271
	W		-	-		PL00W-500-30D120-2	AC-HA022272
	T		-	-		PL00T-500-30D120-2	AC-HA022273

PowerLok™ G2 1POS Receptacle (90 Degree Busbar Lug)

PL	00	X	-	300	-	90	D10	-	2
Product Type	Connector Type	Key		Current & HVIL		Termination Type		Termination	
PowerLok™ G2	00	1POS Receptacle	X	Orange	300	300A W/O HVIL	90	90 Degree Busbar Lug	D+Stud Size
			Y	Black	301	300A W HVIL			M+Stud Size
			U	Yellow	500	500A W/O HVIL			PM+Stud Size
			V	Green	501	500A W HVIL			H+Stud Size
			W	Red					
			T	Blue					

Series	Key	90 Degree Busbar Lug (1POS)					
		Termination & HVIL	Description	Part Number	Termination & HVIL	Description	Part Number
300A	X	M6 With HVIL	PL00X-301-90M6-2	AC-HA018032	M6 W/O HVIL	PL00X-300-90M6-2	AC-HA018002
	Y		PL00Y-301-90M6-2	AC-HA018033		PL00Y-300-90M6-2	AC-HA018003
	U		PL00U-301-90M6-2	AC-HA018034		PL00U-300-90M6-2	AC-HA018004
	V		PL00V-301-90M6-2	AC-HA018035		PL00V-300-90M6-2	AC-HA018005
	W		PL00W-301-90M6-2	AC-HA018036		PL00W-300-90M6-2	AC-HA018006
	T		PL00T-301-90M6-2	AC-HA018037		PL00T-300-90M6-2	AC-HA018007
	X	M8 With HVIL	PL00X-301-90M8-2	AC-HA018038	M8 W/O HVIL	PL00X-300-90M8-2	AC-HA018008
	Y		PL00Y-301-90M8-2	AC-HA018039		PL00Y-300-90M8-2	AC-HA018009
	U		PL00U-301-90M8-2	AC-HA018040		PL00U-300-90M8-2	AC-HA018010
	V		PL00V-301-90M8-2	AC-HA018041		PL00V-300-90M8-2	AC-HA018011
	W		PL00W-301-90M8-2	AC-HA018042		PL00W-300-90M8-2	AC-HA018012
	T		PL00T-301-90M8-2	AC-HA018043		PL00T-300-90M8-2	AC-HA018013
	X	M10 With HVIL	PL00X-301-90M10-2	AC-HA018104	M10 W/O HVIL	PL00X-300-90M10-2	AC-HA018098
	Y		PL00Y-301-90M10-2	AC-HA018105		PL00Y-300-90M10-2	AC-HA018099
	U		PL00U-301-90M10-2	AC-HA018106		PL00U-300-90M10-2	AC-HA018100
	V		PL00V-301-90M10-2	AC-HA018107		PL00V-300-90M10-2	AC-HA018101
	W		PL00W-301-90M10-2	AC-HA018108		PL00W-300-90M10-2	AC-HA018102
	T		PL00T-301-90M10-2	AC-HA018109		PL00T-300-90M10-2	AC-HA018103
	X	D6 With HVIL	PL00X-301-90D6-2	AC-HA018044	D6 W/O HVIL	PL00X-300-90D6-2	AC-HA018014
	Y		PL00Y-301-90D6-2	AC-HA018045		PL00Y-300-90D6-2	AC-HA018015
	U		PL00U-301-90D6-2	AC-HA018046		PL00U-300-90D6-2	AC-HA018016
	V		PL00V-301-90D6-2	AC-HA018047		PL00V-300-90D6-2	AC-HA018017
	W		PL00W-301-90D6-2	AC-HA018048		PL00W-300-90D6-2	AC-HA018018
	T		PL00T-301-90D6-2	AC-HA018049		PL00T-300-90D6-2	AC-HA018019
	X	D8 With HVIL	PL00X-301-90D8-2	AC-HA018050	D8 W/O HVIL	PL00X-300-90D8-2	AC-HA018020
	Y		PL00Y-301-90D8-2	AC-HA018051		PL00Y-300-90D8-2	AC-HA018021
	U		PL00U-301-90D8-2	AC-HA018052		PL00U-300-90D8-2	AC-HA018022
	V		PL00V-301-90D8-2	AC-HA018053		PL00V-300-90D8-2	AC-HA018023
	W		PL00W-301-90D8-2	AC-HA018054		PL00W-300-90D8-2	AC-HA018024
	T		PL00T-301-90D8-2	AC-HA018055		PL00T-300-90D8-2	AC-HA018025
	X	D10 With HVIL	PL00X-301-90D10-2	AC-HA018056	D10 W/O HVIL	PL00X-300-90D10-2	AC-HA018026
	Y		PL00Y-301-90D10-2	AC-HA018057		PL00Y-300-90D10-2	AC-HA018027
	U		PL00U-301-90D10-2	AC-HA018058		PL00U-300-90D10-2	AC-HA018028
	V		PL00V-301-90D10-2	AC-HA018059		PL00V-300-90D10-2	AC-HA018029
	W		PL00W-301-90D10-2	AC-HA018060		PL00W-300-90D10-2	AC-HA018030
	T		PL00T-301-90D10-2	AC-HA018061		PL00T-300-90D10-2	AC-HA018031

Ordering Information - Receptacle

Series Key	90 Degree Busbar Lug (1POS)						
	Termination & HVIL	Description	Part Number	Termination & HVIL	Description	Part Number	
300A	X	PM6 With HVIL	PL00X-301-90PM6-2	AC-HA018068	PM6 W/O HVIL	PL00X-300-90PM6-2	AC-HA018062
	Y		PL00Y-301-90PM6-2	AC-HA018069		PL00Y-300-90PM6-2	AC-HA018063
	U		PL00U-301-90PM6-2	AC-HA018070		PL00U-300-90PM6-2	AC-HA018064
	V		PL00V-301-90PM6-2	AC-HA018071		PL00V-300-90PM6-2	AC-HA018065
	W		PL00W-301-90PM6-2	AC-HA018072		PL00W-300-90PM6-2	AC-HA018066
	T		PL00T-301-90PM6-2	AC-HA018073		PL00T-300-90PM6-2	AC-HA018067
	X		PM8 With HVIL	PL00X-301-90PM8-2		AC-HA018116	PM8 W/O HVIL
	Y	PL00Y-301-90PM8-2		AC-HA018117	PL00Y-300-90PM8-2	AC-HA018111	
	U	PL00U-301-90PM8-2		AC-HA018118	PL00U-300-90PM8-2	AC-HA018112	
	V	PL00V-301-90PM8-2		AC-HA018119	PL00V-300-90PM8-2	AC-HA018113	
	W	PL00W-301-90PM8-2		AC-HA018120	PL00W-300-90PM8-2	AC-HA018114	
	T	PL00T-301-90PM8-2		AC-HA018121	PL00T-300-90PM8-2	AC-HA018115	
	X	H6 With HVIL		PL00X-301-90H6-2	AC-HA018080	H6 W/O HVIL	
	Y		PL00Y-301-90H6-2	AC-HA018081	PL00Y-300-90H6-2		AC-HA018087
	U		PL00U-301-90H6-2	AC-HA018082	PL00U-300-90H6-2		AC-HA018188
	V		PL00V-301-90H6-2	AC-HA018083	PL00V-300-90H6-2		AC-HA018189
	W		PL00W-301-90H6-2	AC-HA018084	PL00W-300-90H6-2		AC-HA018190
	T		PL00T-301-90H6-2	AC-HA018085	PL00T-300-90H6-2		AC-HA018191
	X		H8 With HVIL	PL00X-301-90H8-2	AC-HA018092		H8 W/O HVIL
	Y	PL00Y-301-90H8-2		AC-HA018093	PL00Y-300-90H8-2	AC-HA018015	
	U	PL00U-301-90H8-2		AC-HA018094	PL00U-300-90H8-2	AC-HA018016	
	V	PL00V-301-90H8-2		AC-HA018095	PL00V-300-90H8-2	AC-HA018017	
	W	PL00W-301-90H8-2		AC-HA018096	PL00W-300-90H8-2	AC-HA018018	
	T	PL00T-301-90H8-2		AC-HA018097	PL00T-300-90H8-2	AC-HA018019	

Series Key	90 Degree Busbar Lug (1POS)								
	Termination & HVIL	Description	Part Number	Termination & HVIL	Description	Part Number			
500A	X	M6 With HVIL	PL00X-501-90M6-2	AC-HA017804	M6 W/O HVIL	PL00X-500-90M6-2	AC-HA017798		
	Y		PL00Y-501-90M6-2	AC-HA017805		PL00Y-500-90M6-2	AC-HA017799		
	U		PL00U-501-90M6-2	AC-HA017806		PL00U-500-90M6-2	AC-HA017800		
	V		PL00V-501-90M6-2	AC-HA017807		PL00V-500-90M6-2	AC-HA017801		
	W		PL00W-501-90M6-2	AC-HA017808		PL00W-500-90M6-2	AC-HA017802		
	T		PL00T-501-90M6-2	AC-HA017809		PL00T-500-90M6-2	AC-HA017803		
	X		M8 With HVIL	PL00X-501-90M8-2		AC-HA014541	M8 W/O HVIL	PL00X-500-90M8-2	AC-HA014517
	Y			PL00Y-501-90M8-2		AC-HA014542		PL00Y-500-90M8-2	AC-HA014518
	U			PL00U-501-90M8-2		AC-HA014543		PL00U-500-90M8-2	AC-HA014519
	V	PL00V-501-90M8-2		AC-HA014544	PL00V-500-90M8-2	AC-HA014520			
	W	PL00W-501-90M8-2		AC-HA014545	PL00W-500-90M8-2	AC-HA014521			
	T	PL00T-501-90M8-2		AC-HA014546	PL00T-500-90M8-2	AC-HA014522			
	X	M10 With HVIL		PL00X-501-90M10-2	AC-HA014547	M10 W/O HVIL		PL00X-500-90M10-2	AC-HA014523
	Y			PL00Y-501-90M10-2	AC-HA014548			PL00Y-500-90M10-2	AC-HA014524
	U			PL00U-501-90M10-2	AC-HA014549			PL00U-500-90M10-2	AC-HA014525
	V		PL00V-501-90M10-2	AC-HA014550	PL00V-500-90M10-2		AC-HA014526		
	W		PL00W-501-90M10-2	AC-HA014551	PL00W-500-90M10-2		AC-HA014527		
	T		PL00T-501-90M10-2	AC-HA014552	PL00T-500-90M10-2		AC-HA014528		
	X		D8 With HVIL	PL00X-501-90D8-2	AC-HA014553		D8 W/O HVIL	PL00X-500-90D8-2	AC-HA014529
	Y			PL00Y-501-90D8-2	AC-HA014554			PL00Y-500-90D8-2	AC-HA014530
	U			PL00U-501-90D8-2	AC-HA014555			PL00U-500-90D8-2	AC-HA014531
	V	PL00V-501-90D8-2		AC-HA014556	PL00V-500-90D8-2	AC-HA014532			
	W	PL00W-501-90D8-2		AC-HA014557	PL00W-500-90D8-2	AC-HA014533			
	T	PL00T-501-90D8-2		AC-HA014558	PL00T-500-90D8-2	AC-HA014534			
	X	D10 With HVIL		PL00X-501-90D10-2	AC-HA014559	D10 W/O HVIL		PL00X-500-90D10-2	AC-HA014535
	Y			PL00Y-501-90D10-2	AC-HA014560			PL00Y-500-90D10-2	AC-HA014536
	U			PL00U-501-90D10-2	AC-HA014561			PL00U-500-90D10-2	AC-HA014537
	V		PL00V-501-90D10-2	AC-HA014562	PL00V-500-90D10-2		AC-HA014538		
	W		PL00W-501-90D10-2	AC-HA014563	PL00W-500-90D10-2		AC-HA014539		
	T		PL00T-501-90D10-2	AC-HA014564	PL00T-500-90D10-2		AC-HA014540		
	X		PM8 With HVIL	PL00X-501-90PM8-2	AC-HA017816		PM8 W/O HVIL	PL00X-500-90PM8-2	AC-HA017810
	Y			PL00Y-501-90PM8-2	AC-HA017817			PL00Y-500-90PM8-2	AC-HA017811
	U			PL00U-501-90PM8-2	AC-HA017818			PL00U-500-90PM8-2	AC-HA017812
	V	PL00V-501-90PM8-2		AC-HA017819	PL00V-500-90PM8-2	AC-HA017813			
	W	PL00W-501-90PM8-2		AC-HA017820	PL00W-500-90PM8-2	AC-HA017814			
	T	PL00T-501-90PM8-2		AC-HA017821	PL00T-500-90PM8-2	AC-HA017815			

Ordering Information - Receptacle

PowerLok™ G2 2POS Receptacle (180 Degree Busbar Lug)

Product Type	Connector Type	Key	Current & HVIL	Termination Type	Termination Size
PowerLok™ G2	082 2 POS Receptacle	X Orange	300 300A W/O HVIL	10 180 Degree Busbar Lug)	D+Stud Size
		Y Black	301 300A W HVIL		M+Stud Size
		U Yellow			PM+Stud Size
		V Green			H+Stud Size
		W Red			
		T Blue			

Series	Key	180 Degree Busbar Lug (1POS)					
		Termination & HVIL	Description	Part Number	Termination & HVIL	Description	Part Number
300A	X	M6 With HVIL	PL082X-301-10M6-2	AC-HA010944	M6 W/O HVIL	PL082X-300-10M6-2	AC-HA010932
	Y		PL082Y-301-10M6-2	AC-HA010945		PL082Y-300-10M6-2	AC-HA010933
	U		PL082U-301-10M6-2	AC-HA016991		PL082U-300-10M6-2	AC-HA016971
	V		PL082V-301-10M6-2	AC-HA016992		PL082V-300-10M6-2	AC-HA016972
	W		PL082W-301-10M6-2	AC-HA016993		PL082W-300-10M6-2	AC-HA016973
	T		PL082T-301-10M6-2	AC-HA016994		PL082T-300-10M6-2	AC-HA016974
	X	M8 With HVIL	PL082X-301-10M8-2	AC-HA010946	M8 W/O HVIL	PL082X-300-10M8-2	AC-HA010934
	Y		PL082Y-301-10M8-2	AC-HA010947		PL082Y-300-10M8-2	AC-HA010935
	U		PL082U-301-10M8-2	AC-HA016995		PL082U-300-10M8-2	AC-HA016975
	V		PL082V-301-10M8-2	AC-HA016996		PL082V-300-10M8-2	AC-HA016976
	W		PL082W-301-10M8-2	AC-HA016997		PL082W-300-10M8-2	AC-HA016977
	T		PL082T-301-10M8-2	AC-HA016998		PL082T-300-10M8-2	AC-HA016978
	X	M10 With HVIL	PL082X-301-10M10-2	AC-HA010948	M10 W/O HVIL	PL082X-300-10M10-2	AC-HA010936
	Y		PL082Y-301-10M10-2	AC-HA010949		PL082Y-300-10M10-2	AC-HA010937
	U		PL082U-301-10M10-2	AC-HA017828		PL082U-300-10M10-2	AC-HA017824
	V		PL082V-301-10M10-2	AC-HA017829		PL082V-300-10M10-2	AC-HA017825
	W		PL082W-301-10M10-2	AC-HA017830		PL082W-300-10M10-2	AC-HA017826
	T		PL082T-301-10M10-2	AC-HA017831		PL082T-300-10M10-2	AC-HA017827
	X	D6 With HVIL	PL082X-301-10D6-2	AC-HA010950	D6 W/O HVIL	PL082X-300-10D6-2	AC-HA010938
	Y		PL082Y-301-10D6-2	AC-HA010951		PL082Y-300-10D6-2	AC-HA010939
	U		PL082U-301-10D6-2	AC-HA016999		PL082U-300-10D6-2	AC-HA016979
	V		PL082V-301-10D6-2	AC-HA017000		PL082V-300-10D6-2	AC-HA016980
	W		PL082W-301-10D6-2	AC-HA017001		PL082W-300-10D6-2	AC-HA016981
	T		PL082T-301-10D6-2	AC-HA017002		PL082T-300-10D6-2	AC-HA016982
	X	D8 With HVIL	PL082X-301-10D8-2	AC-HA010952	D8 W/O HVIL	PL082X-300-10D8-2	AC-HA010940
	Y		PL082Y-301-10D8-2	AC-HA010953		PL082Y-300-10D8-2	AC-HA010941
	U		PL082U-301-10D8-2	AC-HA017003		PL082U-300-10D8-2	AC-HA016983
	V		PL082V-301-10D8-2	AC-HA017004		PL082V-300-10D8-2	AC-HA016984
	W		PL082W-301-10D8-2	AC-HA017005		PL082W-300-10D8-2	AC-HA016985
	T		PL082T-301-10D8-2	AC-HA017006		PL082T-300-10D8-2	AC-HA016986
	X	D10 With HVIL	PL082X-301-10D10-2	ACHA010954	D10 W/O HVIL	PL082X-300-10D10-2	AC-HA010942
	Y		PL082Y-301-10D10-2	AC-HA010955		PL082Y-300-10D10-2	AC-HA010943
	U		PL082U-301-10D10-2	AC-HA017007		PL082U-300-10D10-2	AC-HA016987
	V		PL082V-301-10D10-2	AC-HA017008		PL082V-300-10D10-2	AC-HA016988
	W		PL082W-301-10D10-2	AC-HA017009		PL082W-300-10D10-2	AC-HA016989
	T		PL082T-301-10D10-2	AC-HA017010		PL082T-300-10D10-2	AC-HA016990

Series	Key	180 Degree Busbar Lug (1POS)					
		Termination & HVIL	Description	Part Number	Termination & HVIL	Description	Part Number
300A	X	PM6 With HVIL	PL082X-301-10PM6-2	AC-HA018068	PM6 W/O HVIL	PL082X-300-10PM6-2	AC-HA011977
	Y		PL082Y-301-10PM6-2	AC-HA018069		PL082Y-300-10PM6-2	AC-HA011978
	U		PL082U-301-10PM6-2	AC-HA018070		PL082U-300-10PM6-2	AC-HA017011
	V		PL082V-301-10PM6-2	AC-HA018071		PL082V-300-10PM6-2	AC-HA017012
	W		PL082W-301-10PM6-2	AC-HA018072		PL082W-300-10PM6-2	AC-HA017013
	T		PL082T-301-10PM6-2	AC-HA018073		PL082T-300-10PM6-2	AC-HA017014
	X	PM8 With HVIL	PL082X-301-10PM8-2	AC-HA018116	PM8 W/O HVIL	PL082X-300-10PM8-2	AC-HA017356
	Y		PL082Y-301-10PM8-2	AC-HA018117		PL082Y-300-10PM8-2	AC-HA017357
	U		PL082U-301-10PM8-2	AC-HA018118		PL082U-300-10PM8-2	AC-HA017358
	V		PL082V-301-10PM8-2	AC-HA018119		PL082V-300-10PM8-2	AC-HA017359
	W		PL082W-301-10PM8-2	AC-HA018120		PL082W-300-10PM8-2	AC-HA017360
	T		PL082T-301-10PM8-2	AC-HA018121		PL082T-300-10PM8-2	AC-HA017361
	X	H6 With HVIL	PL082X-301-10H6-2	AC-HA018080	H6 W/O HVIL	PL082X-300-10H6-2	AC-HA017362
	Y		PL082Y-301-10H6-2	AC-HA018081		PL082Y-300-10H6-2	AC-HA017363
	U		PL082U-301-10H6-2	AC-HA018082		PL082U-300-10H6-2	AC-HA017364
	V		PL082V-301-10H6-2	AC-HA018083		PL082V-300-10H6-2	AC-HA017365
	W		PL082W-301-10H6-2	AC-HA018084		PL082W-300-10H6-2	AC-HA017366
	T		PL082T-301-10H6-2	AC-HA018085		PL082T-300-10H6-2	AC-HA017367
	X	H8 With HVIL	PL082X-301-10H8-2	AC-HA018092	H8 W/O HVIL	PL082X-300-10H8-2	AC-HA017368
	Y		PL082Y-301-10H8-2	AC-HA018093		PL082Y-300-10H8-2	AC-HA017369
	U		PL082U-301-10H8-2	AC-HA018094		PL082U-300-10H8-2	AC-HA017370
	V		PL082V-301-10H8-2	AC-HA018095		PL082V-300-10H8-2	AC-HA017371
	W		PL082W-301-10H8-2	AC-HA018096		PL082W-300-10H8-2	AC-HA017372
	T		PL082T-301-10H8-2	AC-HA018097		PL082T-300-10H8-2	AC-HA017373

PowerLok™ G2 2POS Receptacle (Thread Pin)

Product Type	Connector Type	Key	Current & HVIL	Termination Type	Termination Size
PowerLok™ G2	082 2 POS Receptacle	X Orange	300 300A W/O HVIL	20 Thread Pin	M+Stud Size
		Y Black	301 300A W HVIL		
		U Yellow			
		V Green			
		W Red			
		T Blue			

Series	Key	Thread Pin (2POS)					
		Termination & HVIL	Description	Part Number	Termination & HVIL	Description	Part Number
300A	X	M6 With HVIL	PL082X-301-20M6-2	AC-HA015859	M6 W/O HVIL	PL082X-300-20M6-2	AC-HA015853
	Y		PL082Y-301-20M6-2	AC-HA015860		PL082Y-300-20M6-2	AC-HA015854
	U		PL082U-301-20M6-2	AC-HA016529		PL082U-300-20M6-2	AC-HA016523
	V		PL082V-301-20M6-2	AC-HA016530		PL082V-300-20M6-2	AC-HA016524
	W		PL082W-301-20M6-2	AC-HA016541		PL082W-300-20M6-2	AC-HA016535
	T		PL082T-301-20M6-2	AC-HA016542		PL082T-300-20M6-2	AC-HA016536
	X	M8 With HVIL	PL082X-301-20M8-2	AC-HA015861	M8 W/O HVIL	PL082X-300-20M8-2	AC-HA015855
	Y		PL082Y-301-20M8-2	AC-HA015862		PL082Y-300-20M8-2	AC-HA015856
	U		PL082U-301-20M8-2	AC-HA016531		PL082U-300-20M8-2	AC-HA016525
	V		PL082V-301-20M8-2	AC-HA016532		PL082V-300-20M8-2	AC-HA016526
	W		PL082W-301-20M8-2	AC-HA016543		PL082W-300-20M8-2	AC-HA016537
	T		PL082T-301-20M8-2	AC-HA016544		PL082T-300-20M8-2	AC-HA016538
	X	M10 With HVIL	PL082X-301-20M10-2	AC-HA015863	M10 W/O HVIL	PL082X-300-20M10-2	AC-HA015857
	Y		PL082Y-301-20M10-2	AC-HA015864		PL082Y-300-20M10-2	AC-HA015858
	U		PL082U-301-20M10-2	AC-HA016533		PL082U-300-20M10-2	AC-HA016527
	V		PL082V-301-20M10-2	AC-HA016534		PL082V-300-20M10-2	AC-HA016528
	W		PL082W-301-20M10-2	AC-HA016545		PL082W-300-20M10-2	AC-HA016539
	T		PL082T-301-20M10-2	AC-HA016546		PL082T-300-20M10-2	AC-HA016540

Ordering Information - Receptacle

PowerLok™ G2 3POS Receptacle (180 Degree Busbar Lug)

PL	083	X	-	300	-	10	D10	-	2	
Product Tyle	Connector Type	Key	Current & HVIL		Termination Type		Termination Size			
PowerLok™ G2	083	3 POS Receptacle	X	Orange	300	300A W/O HVIL	10	180 Degree Busbar Lug		D+Stud Size
			Y	Black	301	300A W HVIL			M+Stud Size	
									PM+Stud Size	

Series	Key	180 Degree Busbar Lug (3POS)					
		Termination & HVIL		Description		Part Number	
300A	X	M6	PL083X-301-10M6-2	AC-HA011060	M6	PL083X-300-10M6-2	AC-HA011048
	Y	With HVIL	PL083Y-301-10M6-2	AC-HA011061	W/O HVIL	PL083Y-300-10M6-2	AC-HA011049
	X	M8	PL083X-301-10M8-2	AC-HA011062	M8	PL083X-300-10M8-2	AC-HA011050
	Y	With HVIL	PL083Y-301-10M8-2	AC-HA011063	W/O HVIL	PL083Y-300-10M8-2	AC-HA011051
	X	D6	PL083X-301-10D6-2	AC-HA011066	D6	PL083X-300-10D6-2	AC-HA011054
	Y	With HVIL	PL083Y-301-10D6-2	AC-HA011067	W/O HVIL	PL083Y-300-10D6-2	AC-HA011055
	X	D8	PL083X-301-10D8-2	AC-HA011068	D8	PL083X-300-10D8-2	AC-HA011056
	Y	With HVIL	PL083Y-301-10D8-2	AC-HA011069	W/O HVIL	PL083Y-300-10D8-2	AC-HA011057
	X	D10	PL083X-301-10D10-2	AC-HA011070	D10	PL083X-300-10D10-2	AC-HA011058
	Y	With HVIL	PL083Y-301-10D10-2	AC-HA011071	W/O HVIL	PL083Y-300-10D10-2	AC-HA011059
	X	PM6	PL083X-301-10PM6-2	AC-HA011983	PM6	PL083X-300-10PM6-2	AC-HA011981
	Y	With HVIL	PL083Y-301-10PM6-2	AC-HA011984	W/O HVIL	PL083Y-300-10PM6-2	AC-HA011982

Ordering Information - Plug

PowerLok™ G2 1POS Plug

PL	18	X	-	300	-	70	-	2	-	5
Product Tyle	Connector Type	Key	Current & HVIL		Accepted Cable Size (mm ²)		Current Rating (A)			
PowerLok™ G2	18	Plug Connector, Straight, Shield	X	Orange	300	300A W/O HVIL	35	150		
	28	Plug Connector, Right Angle, Shield	Y	Black	300	300A W/O HVIL	50	200		
			U	Yellow	301	300A W HVIL	70	250		
			V	Green	301	300A W HVIL	95	300		
			W	Red	500	500A W/O HVIL	70	250		
			T	Blue	500	500A W/O HVIL	95	300		
					501	500A W HVIL	120	400		

Series	Key	18: Plug Connector, Straight, Shield (1POS)						
		Cable Size & HVIL		Description		Part Number		
300A	X	35mm ² With HVIL	PL18X-301-35-2-5	AC-HA016628	35mm ² W/O HVIL	PL18X-300-35-2-5	AC-HA016634	
	Y		PL18Y-301-35-2-5	AC-HA016629		PL18Y-300-35-2-5	AC-HA016635	
	U		PL18U-301-35-2-5	AC-HA016630		PL18U-300-35-2-5	AC-HA016636	
	V		PL18V-301-35-2-5	AC-HA016631		PL18V-300-35-2-5	AC-HA016637	
	W		PL18W-301-35-2-5	AC-HA016632		PL18W-300-35-2-5	AC-HA016638	
	T		PL18T-301-35-2-5	AC-HA016633		PL18T-300-35-2-5	AC-HA016639	
	X		PL18X-301-50-2-5	AC-HA010818		50mm ² W/O HVIL	PL18X-300-50-2-5	AC-HA010794
	Y		PL18Y-301-50-2-5	AC-HA010819			PL18Y-300-50-2-5	AC-HA010795
	U	PL18U-301-50-2-5	AC-HA010820	PL18U-300-50-2-5	AC-HA010796			
	V	PL18V-301-50-2-5	AC-HA010821	PL18V-300-50-2-5	AC-HA010797			
	W	PL18W-301-50-2-5	AC-HA010822	PL18W-300-50-2-5	AC-HA010798			
	T	PL18T-301-50-2-5	AC-HA010823	PL18T-300-50-2-5	AC-HA010799			
	X	PL18X-301-70-2-5	AC-HA010824	70mm ² W/O HVIL	PL18X-300-70-2-5		AC-HA010800	
	Y	PL18Y-301-70-2-5	AC-HA010825		PL18Y-300-70-2-5		AC-HA010801	
	U	PL18U-301-70-2-5	AC-HA010826		PL18U-300-70-2-5	AC-HA010802		
	V	PL18V-301-70-2-5	AC-HA010827		PL18V-300-70-2-5	AC-HA010803		
	W	PL18W-301-70-2-5	AC-HA010828		PL18W-300-70-2-5	AC-HA010804		
	T	PL18T-301-70-2-5	AC-HA010829		PL18T-300-70-2-5	AC-HA010805		
	X	PL18X-301-95-2-5	AC-HA016727		95mm ² with HVIL	PL18X-300-95-2-5	AC-HA016733	
	Y	PL18Y-301-95-2-5	AC-HA016728			PL18Y-300-95-2-5	AC-HA016734	
	U	PL18U-301-95-2-5	AC-HA016729	PL18U-300-95-2-5		AC-HA016735		
	V	PL18V-301-95-2-5	AC-HA016730	PL18V-300-95-2-5		AC-HA016736		
	W	PL18W-301-95-2-5	AC-HA016731	PL18W-300-95-2-5		AC-HA016737		
	T	PL18T-301-95-2-5	AC-HA016732	PL18T-300-95-2-5		AC-HA016738		

Ordering Information - Receptacle

Series	Key	18: Plug Connector, Straight, Shield (1POS)					
		Cable Size & HVIL	Description	Part Number	Cable Size & HVIL	Description	Part Number
500A	X	70mm ² With HVIL	PL18X-501-70-2-5	AC-HA012924	70mm ² W/O HVIL	PL18X-500-70-2-5	AC-HA012918
	Y		PL18Y-501-70-2-5	AC-HA012925		PL18Y-500-70-2-5	AC-HA012919
	U		PL18U-501-70-2-5	AC-HA012926		PL18U-500-70-2-5	AC-HA012920
	V		PL18V-501-70-2-5	AC-HA012927		PL18V-500-70-2-5	AC-HA012921
	W		PL18W-501-70-2-5	AC-HA012928		PL18W-500-70-2-5	AC-HA012922
	T		PL18T-501-70-2-5	AC-HA012929		PL18T-500-70-2-5	AC-HA012923
	X	95mm ² with HVIL	PL18X-501-95-2-5	AC-HA011921	95mm ² W/O HVIL	PL18X-500-95-2-5	AC-HA011927
	Y		PL18Y-501-95-2-5	AC-HA011922		PL18Y-500-95-2-5	AC-HA011928
	U		PL18U-501-95-2-5	AC-HA011923		PL18U-500-95-2-5	AC-HA011929
	V		PL18V-501-95-2-5	AC-HA011924		PL18V-500-95-2-5	AC-HA011930
	W		PL18W-501-95-2-5	AC-HA011925		PL18W-500-95-2-5	AC-HA011931
	T		PL18T-501-95-2-5	AC-HA011926		PL18T-500-95-2-5	AC-HA011932
	X	120mm ² with HVIL	PL18X-501-120-2-5	AC-HA011933	120mm ² W/O HVIL	PL18X-500-120-2-5	AC-HA011939
	Y		PL18Y-501-120-2-5	AC-HA011934		PL18Y-500-120-2-5	AC-HA011940
	U		PL18U-501-120-2-5	AC-HA011935		PL18U-500-120-2-5	AC-HA011941
	V		PL18V-501-120-2-5	AC-HA011936		PL18V-500-120-2-5	AC-HA011942
	W		PL18W-501-120-2-5	AC-HA011937		PL18W-500-120-2-5	AC-HA011943
	T		PL18T-501-120-2-5	AC-HA011938		PL18T-500-120-2-5	AC-HA011944

Series	Key	28: Plug Connector, Right Angle Shield (1POS)					
		Cable Size & HVIL	Description	Part Number	Cable Size & HVIL	Description	Part Number
500A	X	70mm ² With HVIL	PL28X-501-70-2-5	AC-HA012906	70mm ² W/O HVIL	PL28X-500-70-2-5	AC-HA012912
	Y		PL28Y-501-70-2-5	AC-HA012907		PL28Y-500-70-2-5	AC-HA012913
	U		PL28U-501-70-2-5	AC-HA012908		PL28U-500-70-2-5	AC-HA012914
	V		PL28V-501-70-2-5	AC-HA012909		PL28V-500-70-2-5	AC-HA012915
	W		PL28W-501-70-2-5	AC-HA012910		PL28W-500-70-2-5	AC-HA012916
	T		PL28T-501-70-2-5	AC-HA012911		PL28T-500-70-2-5	AC-HA012917
	X	95mm ² with HVIL	PL28X-501-95-2-5	AC-HA011945	95mm ² W/O HVIL	PL28X-500-95-2-5	AC-HA011951
	Y		PL28Y-501-95-2-5	AC-HA011946		PL28Y-500-95-2-5	AC-HA011952
	U		PL28U-501-95-2-5	AC-HA011947		PL28U-500-95-2-5	AC-HA011953
	V		PL28V-501-95-2-5	AC-HA011948		PL28V-500-95-2-5	AC-HA011954
	W		PL28W-501-95-2-5	AC-HA011949		PL28W-500-95-2-5	AC-HA011955
	T		PL28T-501-95-2-5	AC-HA011950		PL28T-500-95-2-5	AC-HA011956
	X	120mm ² with HVIL	PL28X-501-120-2-5	AC-HA011957	120mm ² W/O HVIL	PL28X-500-120-2-5	AC-HA011963
	Y		PL28Y-501-120-2-5	AC-HA011958		PL28Y-500-120-2-5	AC-HA011964
	U		PL28U-501-120-2-5	AC-HA011959		PL28U-500-120-2-5	AC-HA011965
	V		PL28V-501-120-2-5	AC-HA011960		PL28V-500-120-2-5	AC-HA011966
	W		PL28W-501-120-2-5	AC-HA011961		PL28W-500-120-2-5	AC-HA011967
	T		PL28T-501-120-2-5	AC-HA011962		PL28T-500-120-2-5	AC-HA011968

Ordering Information - Plug

PowerLok™ G2 1POS Plug

Series	Key	28: Plug Connector, Right Angle Shield (1POS)					
		Cable Size & HVIL	Description	Part Number	Cable Size & HVIL	Description	Part Number
300A	X	35mm ² With HVIL	PL28X-301-35-2-5	AC-HA016662	35mm ² W/O HVIL	PL28X-300-35-2-5	AC-HA016656
	Y		PL28Y-301-35-2-5	AC-HA016663		PL28Y-300-35-2-5	AC-HA016657
	U		PL28U-301-35-2-5	AC-HA016664		PL28U-300-35-2-5	AC-HA016658
	V		PL28V-301-35-2-5	AC-HA016665		PL28V-300-35-2-5	AC-HA016659
	W		PL28W-301-35-2-5	AC-HA016666		PL28W-300-35-2-5	AC-HA016660
	T		PL28T-301-35-2-5	AC-HA016667		PL28T-300-35-2-5	AC-HA016661
	X	50mm ² With HVIL	PL28X-301-50-2-5	AC-HA010914	50mm ² W/O HVIL	PL28X-300-50-2-5	AC-HA010890
	Y		PL28Y-301-50-2-5	AC-HA010915		PL28Y-300-50-2-5	AC-HA010891
	U		PL28U-301-50-2-5	AC-HA010916		PL28U-300-50-2-5	AC-HA010892
	V		PL28V-301-50-2-5	AC-HA010917		PL28V-300-50-2-5	AC-HA010893
	W		PL28W-301-50-2-5	AC-HA010918		PL28W-300-50-2-5	ACHA010894
	T		PL28T-301-50-2-5	AC-HA010919		PL28T-300-50-2-5	AC-HA010895
	X	70mm ² With HVIL	PL28X-301-70-2-5	AC-HA010920	70mm ² W/O HVIL	PL28X-300-70-2-5	AC-HA010896
	Y		PL28Y-301-70-2-5	AC-HA010921		PL28Y-300-70-2-5	AC-HA010897
	U		PL28U-301-70-2-5	AC-HA010922		PL28U-300-70-2-5	AC-HA010898
	V		PL28V-301-70-2-5	AC-HA010923		PL28V-300-70-2-5	AC-HA010899
	W		PL28W-301-70-2-5	AC-HA010924		PL28W-300-70-2-5	AC-HA010900
	T		PL28T-301-70-2-5	AC-HA010925		PL28T-300-70-2-5	AC-HA010901
X	95mm ² with HVIL	PL28X-301-95-2-5	AC-HA016749	95mm ² W/O HVIL	PL28X-300-95-2-5	AC-HA016743	
Y		PL28Y-301-95-2-5	AC-HA016750		PL28Y-300-95-2-5	AC-HA016744	
U		PL28U-301-95-2-5	AC-HA016751		PL28U-300-95-2-5	AC-HA016745	
V		PL28V-301-95-2-5	AC-HA016752		PL28V-300-95-2-5	AC-HA016746	
W		PL28W-301-95-2-5	AC-HA016753		PL28W-300-95-2-5	AC-HA016747	
T		PL28T-301-95-2-5	AC-HA016754		PL28T-300-95-2-5	AC-HA016748	

Ordering Information - Plug

PowerLok™ G2 1POS Plug (HVIL 90D)

Product Tyle	Connector Type	Key	Current & HVIL	Accepted Cable Size (mm ²)	Current Rating (A)
PowerLok™ G2	19 Plug Connector, Straight, Shield, HVIL 90D	X Orange	300 300A W/O HVIL	50	200
	29 Plug Connector, Right Angle, Shield, HVIL 90D	Y Black	301 300A W HVIL	70	250
		U Yellow	500 500A W/O HVIL	70	250
		V Green	501 500A W HVIL	95	300
		W Red		120	400
		T Blue			

Series	Key	19: Plug Connector, Straight, shield, HVIL 90D					
		Cable Size & HVIL	Description	Part Number	Cable Size & HVIL	Description	Part Number
300A	X	50mm ² With HVIL	PL19X-301-50-2-5	AC-HA018134	50mm ² W/O HVIL	PL19X-300-50-2-5	AC-HA018122
	Y		PL19Y-301-50-2-5	AC-HA018135		PL19Y-300-50-2-5	AC-HA018123
	U		PL19U-301-50-2-5	AC-HA018136		PL19U-300-50-2-5	AC-HA018124
	V		PL19V-301-50-2-5	AC-HA018137		PL19V-300-50-2-5	AC-HA018125
	W		PL19W-301-50-2-5	AC-HA018138		PL19W-300-50-2-5	AC-HA018126
	T		PL19T-301-50-2-5	AC-HA018139		PL19T-300-50-2-5	AC-HA018127
	X	70mm ² with HVIL	PL19X-301-70-2-5	AC-HA018140	70mm ² W/O HVIL	PL19X-300-70-2-5	AC-HA018128
	Y		PL19Y-301-70-2-5	AC-HA018141		PL19Y-300-70-2-5	AC-HA018129
	U		PL19U-301-70-2-5	AC-HA018142		PL19U-300-70-2-5	AC-HA018130
	V		PL19V-301-70-2-5	AC-HA018143		PL19V-300-70-2-5	AC-HA018131
	W		PL19W-301-70-2-5	AC-HA018144		PL19W-300-70-2-5	AC-HA018132
	T		PL19T-301-70-2-5	AC-HA018145		PL19T-300-70-2-5	AC-HA018133
500A	X	70mm ² With HVIL	PL19X-501-70-2-5	AC-HA014595	70mm ² W/O HVIL	PL19X-500-70-2-5	AC-HA014577
	Y		PL19Y-501-70-2-5	AC-HA014596		PL19Y-500-70-2-5	AC-HA014578
	U		PL19U-501-70-2-5	AC-HA014597		PL19U-500-70-2-5	AC-HA014579
	V		PL19V-501-70-2-5	AC-HA014598		PL19V-500-70-2-5	AC-HA014580
	W		PL19W-501-70-2-5	AC-HA014599		PL19W-500-70-2-5	AC-HA014581
	T		PL19T-501-70-2-5	AC-HA014600		PL19T-500-70-2-5	AC-HA014582
	X	95mm ² with HVIL	PL19X-501-95-2-5	AC-HA014583	95mm ² W/O HVIL	PL19X-500-95-2-5	AC-HA014565
	Y		PL19Y-501-95-2-5	AC-HA014584		PL19Y-500-95-2-5	AC-HA014566
	U		PL19U-501-95-2-5	AC-HA014585		PL19U-500-95-2-5	AC-HA014567
	V		PL19V-501-95-2-5	AC-HA014586		PL19V-500-95-2-5	AC-HA014568
	W		PL19W-501-95-2-5	AC-HA014587		PL19W-500-95-2-5	AC-HA014569
	T		PL19T-501-95-2-5	AC-HA014588		PL19T-500-95-2-5	AC-HA014570
	X	120mm ² with HVIL	PL19X-501-120-2-5	AC-HA014589	120mm ² W/O HVIL	PL19X-500-120-2-5	AC-HA014571
	Y		PL19Y-501-120-2-5	AC-HA014590		PL19Y-500-120-2-5	AC-HA014572
	U		PL19U-501-120-2-5	AC-HA014591		PL19U-500-120-2-5	AC-HA014573
	V		PL19V-501-120-2-5	AC-HA014592		PL19V-500-120-2-5	AC-HA014574
	W		PL19W-501-120-2-5	AC-HA014593		PL19W-500-120-2-5	AC-HA014575
	T		PL19T-501-120-2-5	AC-HA014594		PL19T-500-120-2-5	AC-HA014576

Series	Key	29: Plug Connector, Right Angle, shield, HVIL 90D					
		Cable Size & HVIL	Description	Part Number	Cable Size & HVIL	Description	Part Number
300A	X	50mm ² With HVIL	PL29X-301-50-2-5	AC-HA018158	50mm ² W/O HVIL	PL29X-300-50-2-5	AC-HA018146
	Y		PL29Y-301-50-2-5	AC-HA018159		PL29Y-300-50-2-5	AC-HA018147
	U		PL29U-301-50-2-5	AC-HA018160		PL29U-300-50-2-5	AC-HA018148
	V		PL29V-301-50-2-5	AC-HA018161		PL29V-300-50-2-5	AC-HA018149
	W		PL29W-301-50-2-5	AC-HA018162		PL29W-300-50-2-5	AC-HA018150
	T		PL29T-301-50-2-5	AC-HA018163		PL29T-300-50-2-5	AC-HA018151
	X	70mm ² with HVIL	PL29X-301-70-2-5	AC-HA018164	70mm ² W/O HVIL	PL29X-300-70-2-5	AC-HA018152
	Y		PL29Y-301-70-2-5	AC-HA018165		PL29Y-300-70-2-5	AC-HA018153
	U		PL29U-301-70-2-5	AC-HA018166		PL29U-300-70-2-5	AC-HA018154
	V		PL29V-301-70-2-5	AC-HA018167		PL29V-300-70-2-5	AC-HA018155
	W		PL29W-301-70-2-5	AC-HA018168		PL29W-300-70-2-5	AC-HA018156
	T		PL29T-301-70-2-5	AC-HA018169		PL29T-300-70-2-5	AC-HA018157
500A	X	70mm ² With HVIL	PL29X-501-70-2-5	AC-HA014631	70mm ² W/O HVIL	PL29X-500-70-2-5	AC-HA014613
	Y		PL29Y-501-70-2-5	AC-HA014632		PL29Y-500-70-2-5	AC-HA014614
	U		PL29U-501-70-2-5	AC-HA014633		PL29U-500-70-2-5	AC-HA014615
	V		PL29V-501-70-2-5	AC-HA014634		PL29V-500-70-2-5	AC-HA014616
	W		PL29W-501-70-2-5	AC-HA014635		PL29W-500-70-2-5	AC-HA014617
	T		PL29T-501-70-2-5	AC-HA014636		PL29T-500-70-2-5	AC-HA014618
	X	95mm ² with HVIL	PL29X-501-95-2-5	AC-HA014619	95mm ² W/O HVIL	PL29X-500-95-2-5	AC-HA014601
	Y		PL29Y-501-95-2-5	AC-HA014620		PL29Y-500-95-2-5	AC-HA014602
	U		PL29U-501-95-2-5	AC-HA014621		PL29U-500-95-2-5	AC-HA014603
	V		PL29V-501-95-2-5	AC-HA014622		PL29V-500-95-2-5	AC-HA014604
	W		PL29W-501-95-2-5	AC-HA014623		PL29W-500-95-2-5	AC-HA014605
	T		PL29T-501-95-2-5	AC-HA014624		PL29T-500-95-2-5	AC-HA014606
	X	120mm ² with HVIL	PL29X-501-120-2-5	AC-HA014625	120mm ² W/O HVIL	PL29X-500-120-2-5	AC-HA014607
	Y		PL29Y-501-120-2-5	AC-HA014626		PL29Y-500-120-2-5	AC-HA014608
	U		PL29U-501-120-2-5	AC-HA014627		PL29U-500-120-2-5	AC-HA014609
	V		PL29V-501-120-2-5	AC-HA014628		PL29V-500-120-2-5	AC-HA014610
	W		PL29W-501-120-2-5	AC-HA014629		PL29W-500-120-2-5	AC-HA014611
	T		PL29T-501-120-2-5	AC-HA014630		PL29T-500-120-2-5	AC-HA014612

Ordering Information - Plug

PowerLok™ G2 2POS Plug

Product Type	Connector Type	Key	Current & HVIL	Accepted Cable Size (mm ²)	Current Rating (A)
PowerLok™ G2	182 Plug Connector, Straight, Shield	X Orange	300 300A W/O HVIL	35	150
		Y Black		50	200
		U Yellow		70	250
	282 Plug Connector, Right Angle, Shield	V Green	301 300A W HVIL	70	250
		W Red		95	300
		T Blue			

Series	Key	182: Plug Connector, Straight, Shield (2POS)					
		Cable Size & HVIL	Description	Part Number	Cable Size & HVIL	Description	Part Number
300A	X	35mm ² With HVIL	PL182X-301-35-2-5	AC-HA015711	35mm ² W/O HVIL	PL182X-300-35-2-5	AC-HA015707
	Y		PL182Y-301-35-2-5	AC-HA015712		PL182Y-300-35-2-5	AC-HA015708
	U		PL182U-301-35-2-5	AC-HA020550		PL182U-300-35-2-5	AC-HA020546
	V		PL182V-301-35-2-5	AC-HA020551		PL182V-300-35-2-5	AC-HA020547
	W		PL182W-301-35-2-5	AC-HA020552		PL182W-300-35-2-5	AC-HA020548
	T		PL182T-301-35-2-5	AC-HA020553		PL182T-300-35-2-5	AC-HA020549
	X	50mm ² With HVIL	PL182X-301-50-2-5	AC-HA011010	50mm ² W/O HVIL	PL182X-300-50-2-5	AC-HA011002
	Y		PL182Y-301-50-2-5	AC-HA011011		PL182Y-300-50-2-5	AC-HA011003
	U		PL182U-301-50-2-5	AC-HA016680		PL182U-300-50-2-5	AC-HA016672
	V		PL182V-301-50-2-5	AC-HA016681		PL182V-300-50-2-5	AC-HA016673
	W		PL182W-301-50-2-5	AC-HA016682		PL182W-300-50-2-5	AC-HA016674
	T		PL182T-301-50-2-5	AC-HA016683		PL182T-300-50-2-5	AC-HA016675
	X	70mm ² With HVIL	PL182X-301-70-2-5	AC-HA011012	70mm ² W/O HVIL	PL182X-300-70-2-5	AC-HA011004
	Y		PL182Y-301-70-2-5	AC-HA011013		PL182Y-300-70-2-5	AC-HA011005
	U		PL182U-301-70-2-5	AC-HA016684		PL182U-300-70-2-5	AC-HA016676
	V		PL182V-301-70-2-5	AC-HA016685		PL182V-300-70-2-5	AC-HA016677
	W		PL182W-301-70-2-5	AC-HA016686		PL182W-300-70-2-5	AC-HA016678
	T		PL182T-301-70-2-5	AC-HA016687		PL182T-300-70-2-5	AC-HA016679
	X	95mm ² With HVIL	PL182X-301-95-2-5	AC-HA019997	95mm ² W/O HVIL	PL182X-300-95-2-5	AC-HA019991
	Y		PL182Y-301-95-2-5	AC-HA019998		PL182Y-300-95-2-5	AC-HA019992
	U		PL182U-301-95-2-5	AC-HA019999		PL182U-300-95-2-5	AC-HA019993
	V		PL182V-301-95-2-5	AC-HA020000		PL182V-300-95-2-5	AC-HA019994
	W		PL182W-301-95-2-5	AC-HA020001		PL182W-300-95-2-5	AC-HA019995
	T		PL182T-301-95-2-5	AC-HA020002		PL182T-300-95-2-5	AC-HA019996

Series	Key	282: Plug Connector, Right Angle Shield (2POS)					
		Cable Size & HVIL	Description	Part Number	Cable Size & HVIL	Description	Part Number
300A	X	35mm ² With HVIL	PL282X-301-35-2-5	AC-HA017721	35mm ² W/O HVIL	PL282X-300-35-2-5	AC-HA017717
	Y		PL282Y-301-35-2-5	AC-HA017722		PL282Y-300-35-2-5	AC-HA017718
	U		PL282U-301-35-2-5	AC-HA020566		PL282U-300-35-2-5	AC-HA020562
	V		PL282V-301-35-2-5	AC-HA020567		PL282V-300-35-2-5	AC-HA020563
	W		PL282W-301-35-2-5	AC-HA020568		PL282W-300-35-2-5	AC-HA020564
	T		PL282T-301-35-2-5	AC-HA020569		PL282T-300-35-2-5	AC-HA020565
	X	50mm ² With HVIL	PL282X-301-50-2-5	AC-HA011042	50mm ² W/O HVIL	PL282X-300-50-2-5	AC-HA011034
	Y		PL282Y-301-50-2-5	AC-HA011043		PL282Y-300-50-2-5	AC-HA011035
	U		PL282U-301-50-2-5	AC-HA016696		PL282U-300-50-2-5	AC-HA016688
	V		PL282V-301-50-2-5	AC-HA016697		PL282V-300-50-2-5	AC-HA016689
	W		PL282W-301-50-2-5	AC-HA016698		PL282W-300-50-2-5	AC-HA016690
	T		PL282T-301-50-2-5	AC-HA016699		PL282T-300-50-2-5	AC-HA016691
	X	70mm ² With HVIL	PL282X-301-70-2-5	AC-HA011044	70mm ² W/O HVIL	PL282X-300-70-2-5	AC-HA011036
	Y		PL282Y-301-70-2-5	AC-HA011045		PL282Y-300-70-2-5	AC-HA011037
	U		PL282U-301-70-2-5	AC-HA016700		PL282U-300-70-2-5	AC-HA016692
	V		PL282V-301-70-2-5	AC-HA016701		PL282V-300-70-2-5	AC-HA016693
	W		PL282W-301-70-2-5	AC-HA016702		PL282W-300-70-2-5	AC-HA016694
	T		PL282T-301-70-2-5	AC-HA016703		PL282T-300-70-2-5	AC-HA016695
	X	95mm ² With HVIL	PL282X-301-95-2-5	AC-HA020053	95mm ² W/O HVIL	PL282X-300-95-2-5	AC-HA020047
	Y		PL282Y-301-95-2-5	AC-HA020054		PL282Y-300-95-2-5	AC-HA020048
	U		PL282U-301-95-2-5	AC-HA020055		PL282U-300-95-2-5	AC-HA020049
	V		PL282V-301-95-2-5	AC-HA020056		PL282V-300-95-2-5	AC-HA020050
	W		PL282W-301-95-2-5	AC-HA020057		PL282W-300-95-2-5	AC-HA020051
	T		PL282T-301-95-2-5	AC-HA020058		PL282T-300-95-2-5	AC-HA020052

PowerLok™ G2 3POS Plug

Product Type	Connector Type	Key	Current & HVIL	Accepted Cable Size (mm ²)	Current Rating
PowerLok™ G2	183 Plug Connector, Straight, Shield	X Orange	300 300A W/O HVIL	35	150
	283 Plug Connector, Right Angle, Shield	Y Black	301 300A W HVIL	50	200
				70	250
				95	300

Series	Key	183: Plug Connector, Straight, Shield (3POS)					
		Cable Size & HVIL	Description	Part Number	Cable Size & HVIL	Description	Part Number
300A	X	35mm ² With HVIL	PL183X-301-35-2-5	AC-HA017729	35mm ² W/O HVIL	PL183X-300-35-2-5	ACHA017725
	Y		PL183Y-301-35-2-5	AC-HA017730		PL183Y-300-35-2-5	AC-HA017726
	X	50mm ² With HVIL	PL183X-301-50-2-5	AC-HA011989	50mm ² W/O HVIL	PL183X-300-50-2-5	AC-HA011985
	Y		PL183Y-301-50-2-5	AC-HA011990		PL183Y-300-50-2-5	AC-HA011986
	X	70mm ² With HVIL	PL183X-301-70-2-5	AC-HA011991	70mm ² W/O HVIL	PL183X-300-70-2-5	AC-HA011987
	Y		PL183Y-301-70-2-5	AC-HA011992		PL183Y-300-70-2-5	AC-HA011988
	X	95mm ² With HVIL	PL183X-301-95-2-5	AC-HA011890	95mm ² W/O HVIL	PL183X-300-95-2-5	AC-HA019888
	Y		PL183Y-301-95-2-5	AC-HA011891		PL183Y-300-95-2-5	AC-HA019889

Series	Key	283: Plug Connector, Right Angle Shield (3POS)					
		Cable Size & HVIL	Description	Part Number	Cable Size & HVIL	Description	Part Number
300A	X	35mm ² With HVIL	PL283X-301-35-2-5	AC-HA017737	35mm ² W/O HVIL	PL283X-300-35-2-5	AC-HA017733
	Y		PL283Y-301-35-2-5	AC-HA017738		PL283Y-300-35-2-5	AC-HA017734
	X	50mm ² With HVIL	PL283X-301-50-2-5	AC-HA011997	50mm ² W/O HVIL	PL283X-300-50-2-5	AC-HA011993
	Y		PL283Y-301-50-2-5	AC-HA011998		PL283Y-300-50-2-5	AC-HA011994
	X	70mm ² With HVIL	PL283X-301-70-2-5	AC-HA011999	70mm ² W/O HVIL	PL283X-300-70-2-5	AC-HA011995
	Y		PL283Y-301-70-2-5	AC-HA012000		PL283Y-300-70-2-5	AC-HA011996
	X	95mm ² With HVIL	PL283X-301-95-2-5	AC-HA020061	95mm ² W/O HVIL	PL283X-300-95-2-5	AC-HA020059
	Y		PL283Y-301-95-2-5	AC-HA020062		PL283Y-300-95-2-5	AC-HA020060

POWERLOK™ 4.0 Gen2 CONNECTOR



■ Application

POWERLOK 4.0 Gen2 series is a low cost compact metal-shell interconnect solution for accessory power and signal connections for EV and Hybrid transportation applications. Up to space 1000V ranging from 5A-60A with HVIL, 360 shielding, environmental sealing, and with cable sizes from 2.5mm to 10mm. With finger touch resistant structure.

■ Key Features

- Mating design: Self locking buckle
- Terminal System:
 - 2X Ø3.96, silver plated
 - Wire size: 2.5/4/6/10mm², shielding
 - HVIL contact system
- General:
 - IP67, IP6K9K (mated)
 - IPXXB (unmated)
 - HVIL
 - 360° shielding
 - Code: X/Y/U
- Terminal technology:
 - Crimping for female power terminal
 - Crimping for female signal terminal
- Performance characteristics:
 - Temperature range: -40°C to +125°C
 - Rated voltage: 1000V/DC Max.
600V/AC Max.
- Mating cycles: 100 Min.
- Max. rated current:
 - 2.5mm²=25A
 - 4.0mm²=40A
 - 6.0mm²=45A
 - 10.0mm²=60A

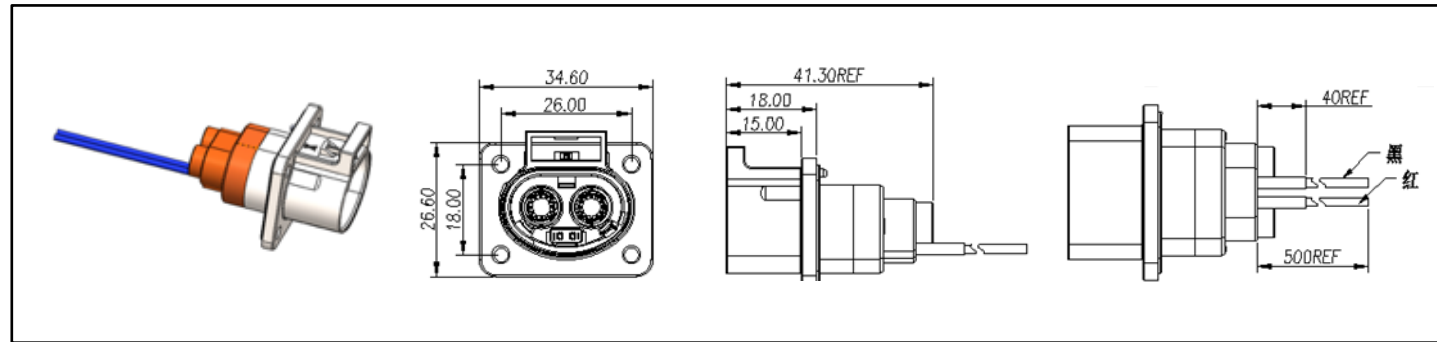
■ PowerLok™ 4.0 G2 Recommended Cable Size & Current Rating

Series	Accepted Cable Size	Current Rating
60 Series	2.5mm ²	25A
	4.0mm ²	40A
	6.0mm ²	45A
	10.0mm ²	60A

*Contact us for customization options.

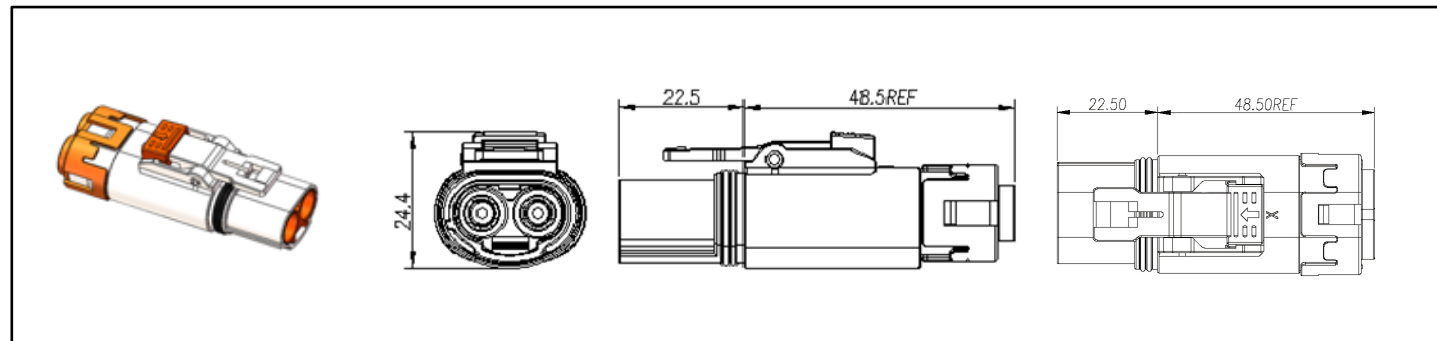
PowerLok™ 4.0 G2 Receptacle

Series	Receptacle	
	2 POS	
	With HVIL	W/O HVIL
60A	*	*



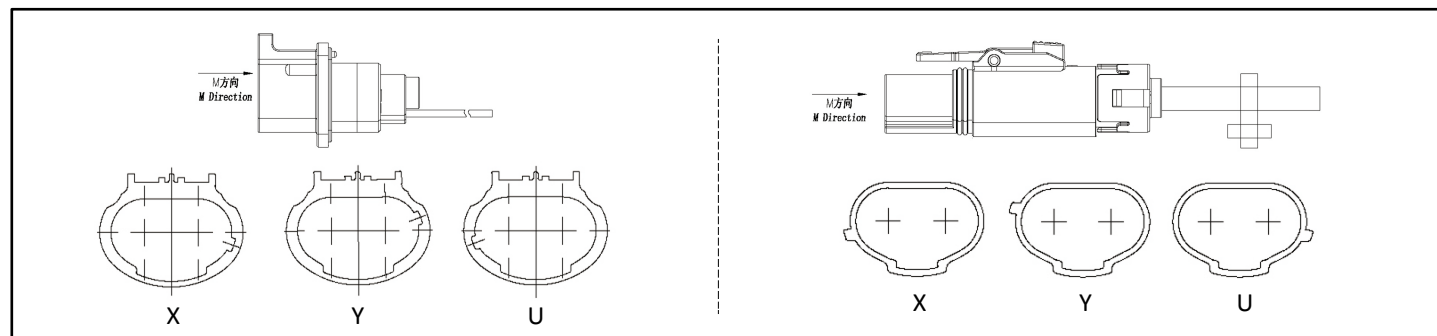
PowerLok™ 4.0 G2 Plug

Series	Plug	
	2 POS	
	With HVIL	W/O HVIL
60A	*	*



PowerLok™ 4.0 Key Map

2POS			
Series	60A		
Key	X	Y	U
Color	Orange	Black	Yellow



Ordering Information

PowerLok™ 4.0 G2 2POS Receptacle

PL 082 X - 61 - 2.5 - 2 - 48

Product Tyle	Connector Type	Key		Current & HVIL		Accepted Cable Size	
PowerLok™ 4.0 G2	082 2POS Receptacle	X	Orange	60	60A W/O HVIL	2.5	2.5 mm ²
		Y	Black	61		4	4 mm ²
		U	Yellow	61	60A W HVIL	6	6 mm ²
						10	10 mm ²

Key	PowerLok™ 4.0 G2 2POS Receptacle					
	Cable Size & HVIL	Description	Part Number	Termination & HVIL	Description	Part Number
60A	2.5 mm ² With HVIL	PL082X-61-2.5-2-48	AC-HA017750	2.5 mm ² W/O HVIL	PL082X-60-2.5-2-48	AC-HA017762
		PL082Y-61-2.5-2-48	AC-HA017751		PL082Y-60-2.5-2-48	AC-HA017763
		PL082U-61-2.5-2-48	AC-HA017752		PL082U-60-2.5-2-48	AC-HA017764
60A	4 mm ² With HVIL	PL082X-61-4-2-48	AC-HA017753	4 mm ² W/O HVIL	PL082X-60-4-2-48	AC-HA017765
		PL082Y-61-4-2-48	AC-HA017754		PL082Y-60-4-2-48	AC-HA017766
		PL082U-61-4-2-48	AC-HA017755		PL082U-60-4-2-48	AC-HA017767
60A	6 mm ² With HVIL	PL082X-61-6-2-48	AC-HA017756	6 mm ² W/O HVIL	PL082X-60-6-2-48	AC-HA017768
		PL082Y-61-6-2-48	AC-HA017757		PL082Y-60-6-2-48	AC-HA017769
		PL082U-61-6-2-48	AC-HA017758		PL082U-60-6-2-48	AC-HA017770
60A	10 mm ² With HVIL	PL082X-61-10-2-48	AC-HA017759	10 mm ² W/O HVIL	PL082X-60-10-2-48	AC-HA017771
		PL082Y-61-10-2-48	AC-HA017760		PL082Y-60-10-2-48	AC-HA017772
		PL082U-61-10-2-48	AC-HA017761		PL082U-60-10-2-48	AC-HA017773

PowerLok™ 4.0 G2 2POS Plug

PL 182 X - 61 - 2.5 - 2 - 48

Product Tyle	Connector Type	Key		Current & HVIL		Accepted Cable Size	
PowerLok™ 4.0 G2	182 2POS Plug	X	Orange	60	60A W/O HVIL	2.5	2.5 mm ²
		Y	Black	61		4	4 mm ²
		U	Yellow	61	60A W HVIL	6	6 mm ²
						10	10 mm ²

Key	PowerLok™ 4.0 G2 2POS Plug					
	Cable Size & HVIL	Description	Part Number	Termination & HVIL	Description	Part Number
60A	2.5 mm ² With HVIL	PL182X-61-2.5-2-48	AC-HA017774	2.5 mm ² W/O HVIL	PL182X-60-2.5-2-48	AC-HA017786
		PL182Y-61-2.5-2-48	AC-HA017775		PL182Y-60-2.5-2-48	AC-HA017787
		PL182U-61-2.5-2-48	AC-HA017776		PL182U-60-2.5-2-48	AC-HA017788
60A	4 mm ² With HVIL	PL182X-61-4-2-48	AC-HA017777	4 mm ² W/O HVIL	PL182X-60-4-2-48	AC-HA017789
		PL182Y-61-4-2-48	AC-HA017778		PL182Y-60-4-2-48	AC-HA017790
		PL182U-61-4-2-48	AC-HA017779		PL182U-60-4-2-48	AC-HA017791
60A	6 mm ² With HVIL	PL182X-61-6-2-48	AC-HA017780	6 mm ² W/O HVIL	PL182X-60-6-2-48	AC-HA017792
		PL182Y-61-6-2-48	AC-HA017781		PL182Y-60-6-2-48	AC-HA017793
		PL182U-61-6-2-48	AC-HA017782		PL182U-60-6-2-48	AC-HA017794
60A	10 mm ² With HVIL	PL182X-61-10-2-48	AC-HA017783	10 mm ² W/O HVIL	PL182X-60-10-2-48	AC-HA017795
		PL182Y-61-10-2-48	AC-HA017784		PL182Y-60-10-2-48	AC-HA017796
		PL182U-61-10-2-48	AC-HA017785		PL182U-60-10-2-48	AC-HA017797



The information contained in this data sheet is for reference only

GEC/TPI provides the above product specifications for the standard PowerLok™ G2 series of connectors to assist users in identifying the correct product for the system to which the connectors may be applied. Specifications are subject to change without notice. Contact your nearest Amphenol Corporation Sales Office for the latest specifications. All statements, information and data given herein are believed to be accurate and reliable but are presented without guarantee, warranty, or responsibility of any kind, expressed or implied. Statements of suggestions concerning possible use of our products are made without representation or warranty that any such use is free of patent infringement and are not recommendations to infringe any patent. Specifications are typical and may not apply to all connectors. Note that these specifications are derived from relevant global standards used in the automotive and industrial transportation markets, but they are not a substitute for system level design validation testing, which is the sole responsibility of the system designer and/or end user.