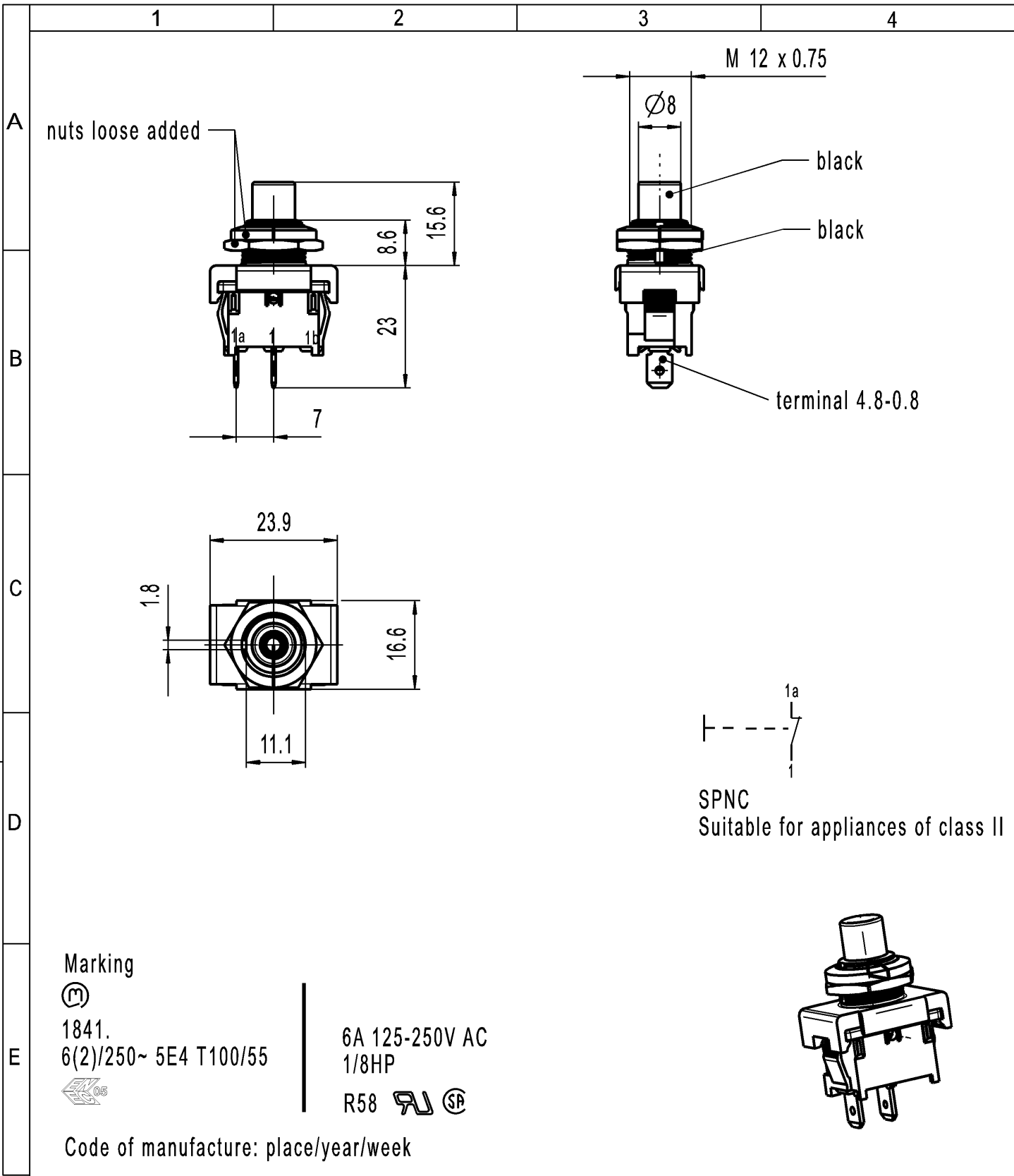


CONFIDENTIAL

VERTRAULICH

Alle Rechte bei Marquardt, auch fuer den Fall von Schutzrechtsanmeldungen. Jede Veruegungsbefugnis, wie Kopier- und Weitergaberecht, bei uns.

THIS DRAWING IS THE EXCLUSIVE PROPERTY OF MARQUARDT. WITHOUT THEIR CONSENT IT MAY NOT BE REPRODUCED OR GIVEN TO THIRD PARTIES.



Marking



1841.

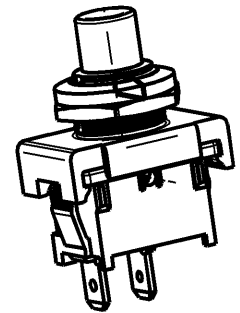
6(2)/250~ 5E4 T100/55



6A 125-250V AC
1/8HP

R58

Code of manufacture: place/year/week



-		-		-		1841.1301-XX				
Figure		Type		Customer No.		Art.No.-PI				
General tolerances				Sheet 01			Ident. K	Document number 18411301	Index e	
All dimensions are in millimetres	Shape and location	Angle $\pm 2^\circ$	Edge tolerance	Length	Radii	Format DIN A4	Projection	Scale 1:1	Appliance Switch	
				0-6	± 0.2					\pm
				>6-15	± 0.4					\pm
				>15-30	± 0.4					\pm
				>30-70	\pm					\pm
>70-120	\pm	\pm								
>120	\pm	\pm								
e	131663	2020-08-26	THAKARES			System NX V11.0			 MARQUARDT	
d	64533	2010-04-13	MUT			Replacement of				
c	56042	2008-01-21	VOR			Zg.gl.Nr.v.30.10.2000				
b	29876	2000-06-19	BMI							
Index	MEC-No.	Date (YYYY-MM-DD)	Edited by							