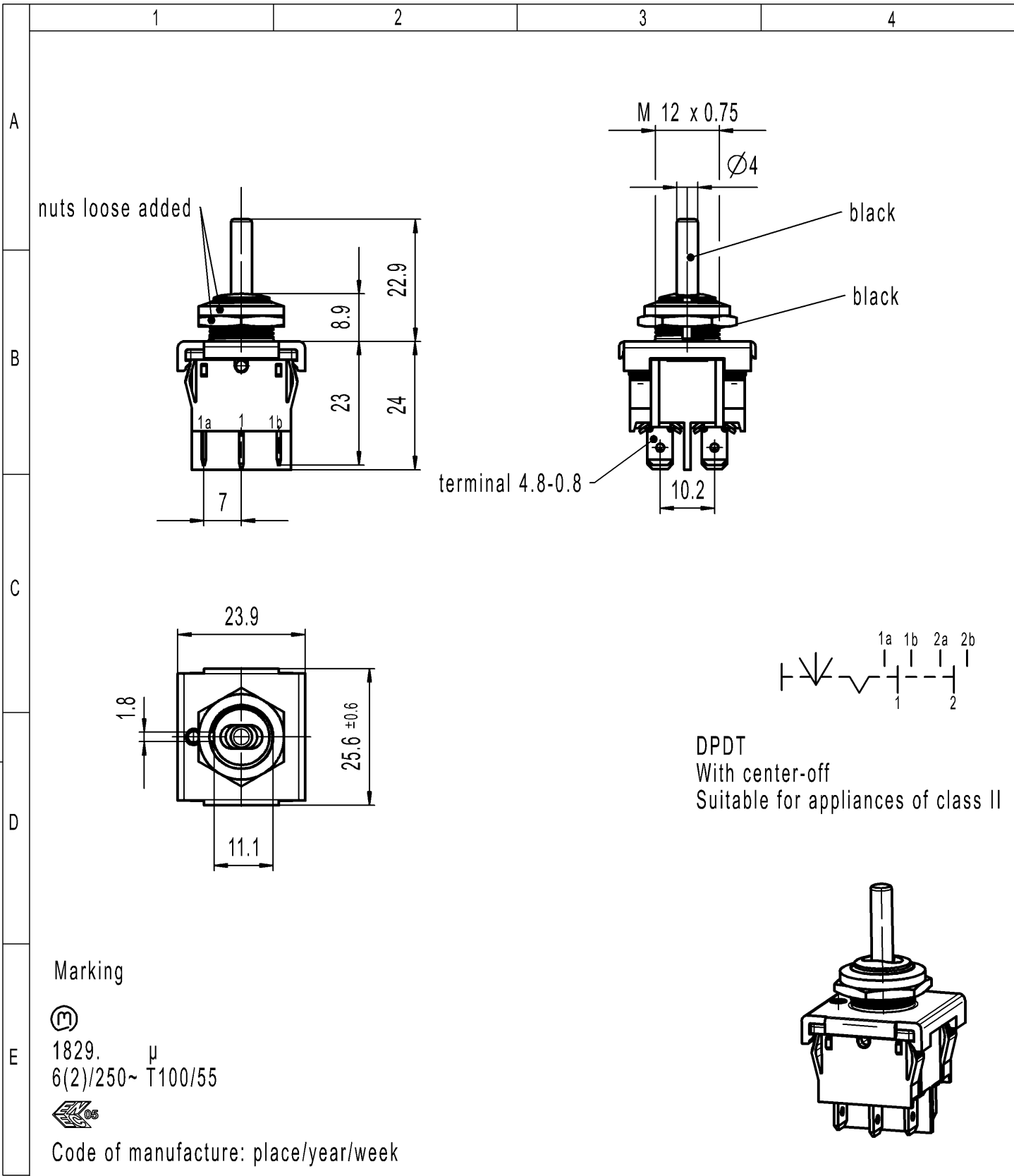


CONFIDENTIAL

VERTRAULICH

THIS DRAWING IS THE EXCLUSIVE PROPERTY OF MARQUARDT. WITHOUT THEIR CONSENT IT MAY NOT BE REPRODUCED OR GIVEN TO THIRD PARTIES.

Alle Rechte bei Marquardt, auch fuer den Fall von Schutzrechtsanmeldungen. Jede Veruegungsbezugnis, wie Kopier- und Weitergaberecht, bei uns.

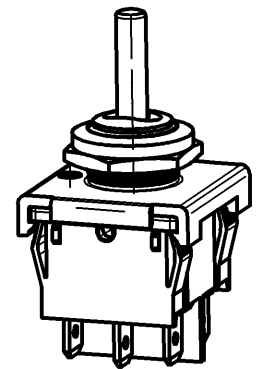


Marking

Ⓜ
1829. μ
6(2)/250~ T100/55



Code of manufacture: place/year/week



-		-		-		1829.1101-XX			
Figure		Type		Customer No.		Art.No.-PI			
Shape and location	Angle ± 2°	Length		Radii		Sheet 01	Ident. K	Document number 18291101	Index e
	Edge tolerance	0-6 ± 0.2	±	0-6 ±	±				
⊙ ≡		>6-15 ± 0.4	±	>6-15 ±	±	All dimensions are in millimetres	Appliance Switch		
		>15-30 ± 0.4	±	>15-30 ±	±				
		>30-70 ±	±	>30-200 ±	±				
		>70-120 ±	±		±				
		>120-200 ±	±		±				
e	140664	2021-11-17		MUT		System NX V1872	MARQUARDT		
d	131663	2020-09-07		BHATKARP					
c	64505	2010-01-27		MUT		Replacement of Zg.gl.Nr.v.05.10.2000			
b	56042	2008-01-16		VOR					
Index	MEC-No.	Date (YYYY-MM-DD)		Edited by					