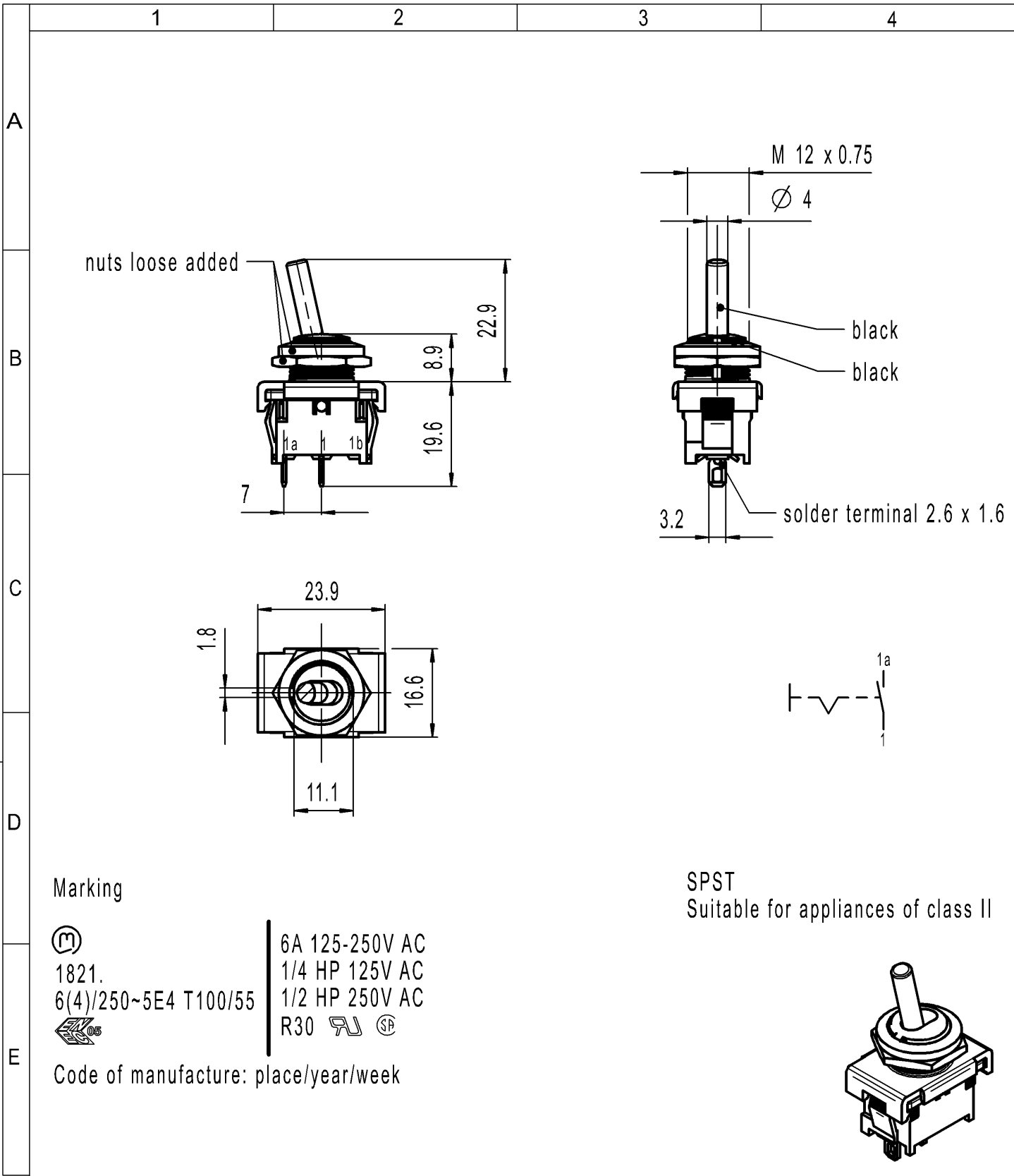


CONFIDENTIAL

VERTRAULICH

THIS DRAWING IS THE EXCLUSIVE PROPERTY OF MARQUARDT. WITHOUT THEIR CONSENT IT MAY NOT BE REPRODUCED OR GIVEN TO THIRD PARTIES.

Alle Rechte bei Marquardt, auch fuer den Fall von Schutzrechtsanmeldungen. Jede Veruegungsbefugnis, wie Kopier- und Weitergaberecht, bei uns.



Marking



1821.

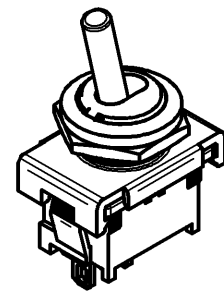
6(4)/250~5E4 T100/55



6A 125-250V AC
 1/4 HP 125V AC
 1/2 HP 250V AC
 R30

Code of manufacture: place/year/week

SPST
 Suitable for appliances of class II



-	-	-	1821.6101-XX							
Figure	Type	Customer No.	Art.No.-PI							
General tolerances										
All dimensions are in millimetres	Shape and location 	Angle $\pm 2^\circ$	Edge tolerance 	Length	Radii	Sheet 01	Ident. K	Document number 18216101	Index c	
				0-6	± 0.2					\pm
				>6-15	± 0.4					\pm
				>15-30	± 0.4					\pm
				>30-70	\pm					\pm
				>70-120	\pm					\pm
>120	\pm	\pm								
c	131663	2020-09-08	PANDHAREA	Format DIN A4	Projection	Scale 1:1	Appliance Switch			
b	64505	2010-01-27	MUT	System NX V11.0						
a	56042	2008-01-21	VOR	Replacement of Zg.gl.Nr.v.16.06.2005			 MARQUARDT			
	43241	2005-06-16	mut							
Index	MEC-No.	Date (YYYY-MM-DD)	Edited by							