

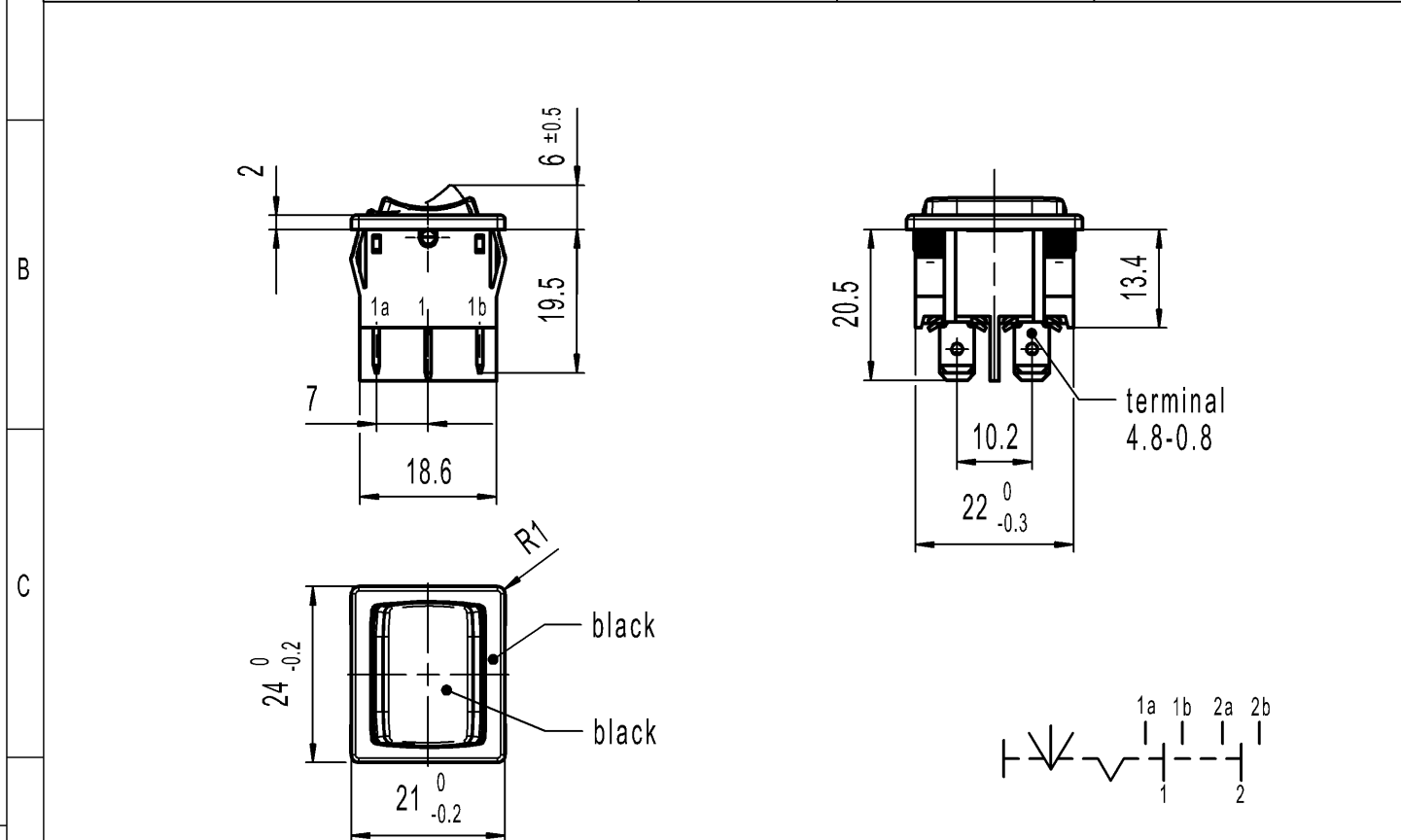
CONFIDENTIAL

VERTRAULICH

THIS DRAWING IS THE EXCLUSIVE PROPERTY OF MARQUARDT. WITHOUT THEIR CONSENT IT MAY NOT BE REPRODUCED OR GIVEN TO THIRD PARTIES.

Alle Rechte bei Marquardt, auch fuer den Fall von Schutzrechtsanmeldungen. Jede Veruegungsbezugnis, wie Kopier- und Weitergaberecht, bei uns.

A	1	2	3	4	
	recommended cut-out for snap-in fixing (edge opposite to snap-in direction)		wall thickness	length of cut-out	width of cut-out
			0.75 to 1.25	19.2-0.1	21.9+0.1
			1.25 to 2	19.4-0.1	21.9+0.1
		2 to 3	19.8-0.1	21.9+0.1	



DPDT  
With centre-off  
Suitable for appliances of class II

Marking  
 1809. μ  
 6(2)/250~T100/55  
 6A 125-250V AC  
 1/8HP  
 R58   
 Code of manufacture: place/year/week

-	-	-	1809.1102-XX
Figure	Type	Customer Part No.	Art.No.-PI
Shape and location	Angle ± 2 °	Sheet 01	Ident. K
	Edge tolerance	Format DIN A4	Document number 18091102
	Length	Projection	Index h
	Radii	Scale 1:1	Appliance Switch
h	137894	All dimensions are in millimetres	
g	64492	System NX V1872	
f	29394	Replacement of	
e	17260	Zg.gl.Nr.v.10.05.2000	
Index	MEC-No.	Date (YYYY-MM-DD)	Edited by

