

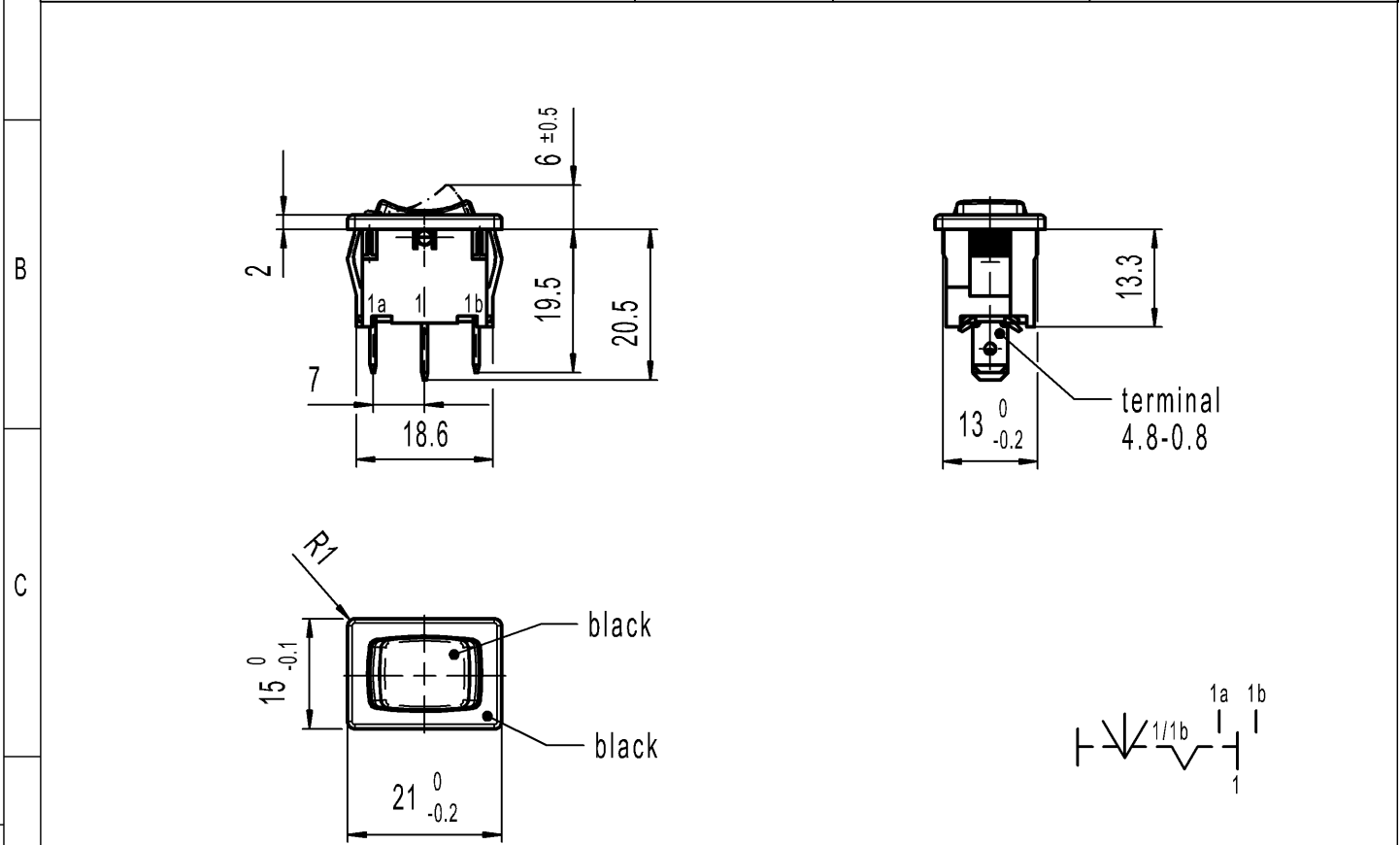
CONFIDENTIAL

VERTRAULICH

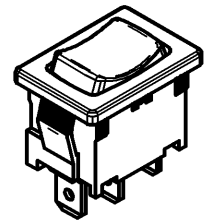
THIS DRAWING IS THE EXCLUSIVE PROPERTY OF MARQUARDT. WITHOUT THEIR CONSENT IT MAY NOT BE REPRODUCED OR GIVEN TO THIRD PARTIES.

Alle Rechte bei Marquardt, auch fuer den Fall von Schutzrechtsanmeldungen. Jede Verfuugungsbezugnis, wie Kopier- und Weitergaberecht, bei uns.

A	recommended cut-out for snap-in fixing (edge opposite to snap-in direction)	1	2	3	4	
		0.75 to 1.25	1.25 to 2	2 to 3	length of cut-out	width of cut-out
		19.2-0.1	19.4-0.1	19.8-0.1		
		12.9+0.1	12.9+0.1	12.9+0.1		



SPDT
With centre-off
Suitable for appliances of class II
Biased from one side



Marking

Ⓜ
1808. μ
6(2)/250~T100/55

6A 125-250V AC
1/8HP
R58

Code of manufacture: place/year/week

-	-	-	1808.1202-XX				
Figure	Type	Customer Part No.	Art.No.-PI				
Shape and location	Angle ± 2 °	Sheet 01	Ident. K				
	Edge tolerance	Format DIN A4	Document number 18081202				
Ⓜ		Projection	Index h				
		Scale 1:1	Appliance Switch				
h	137894	2021-06-09		JOSHIO	All dimensions are in millimetres	System NX V1872	
g	64492	2009-10-20	MUT				
f	29392	2000-05-03	SIG	Replacement of	Zg.gl.Nr.v.03.05.2000	MARQUARDT	
e	16107	1984-08-30	RIE				
Index	MEC-No.	Date (YYYY-MM-DD)	Edited by				