

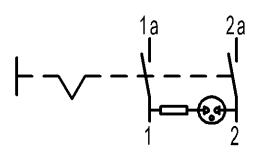
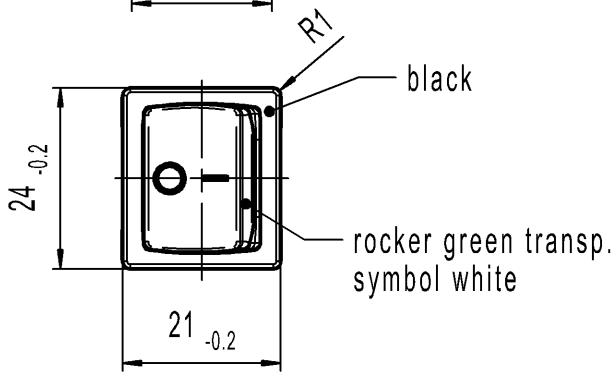
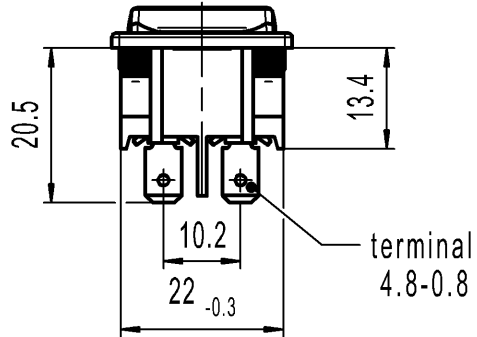
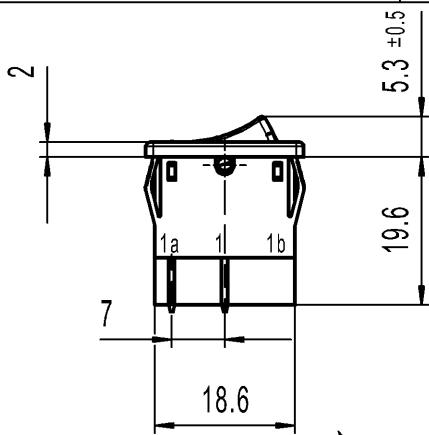
THIS DRAWING IS THE EXCLUSIVE PROPERTY OF MARQUARDT. WITHOUT THEIR CONSENT IT MAY NOT BE REPRODUCED OR GIVEN TO THIRD PARTIES.

CONFIDENTIAL

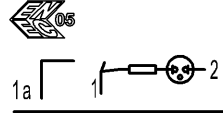
VERTRAULICH

Alle Rechte bei Marquardt, auch fuer den Fall von Schutzrechtsanmeldungen. Jede Verfertigungsbedürfnis, wie Kopier- und Weitergaberecht, bei uns.

A	recommended cut-out for snap-in fixing (edge opposite to snap-in direction)	1	2	3	4
			wall thickness	length of cut-out	width of cut-out
			0.75 to 1.25	19.2 -0.1	21.9+0.1
			1.25 to 2	19.4 -0.1	21.9+0.1
		2 to 3	19.8 -0.1	21.9+0.1	

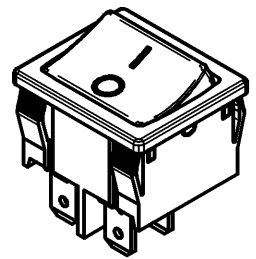


Marking
 1805.
 8(8)/250~5E4
 12(4)/250~
 5/70A 250V~
 T100/55



DPST
 Neon lamp with Rv for 110 - 230VAC
 Suitable for appliances of class II

15A 125-250V AC
 3/4 HP 125V AC
 1 1/2 HP 250V AC
 R 149



Code of manufacture: place/year/week
 On box: Customer Part No. see variant table

-	-	0041.1657	1805.7118-XX
Figure	Type	Customer Part No.	Art.No.-PI
Shape and location	Angle ± 2°	Sheet 01	Ident. K
	Edge tolerance	Format DIN A4	Document number 18057118
	0-6 ± 0.2	Projection	Index e
	>6-15 ± 0.4	Scale 1:1	Appliance Switch
>15-30 ± 0.4	All dimensions are in millimetres	System NX V1872	
±			Replacement of
±	Zg.gl.Nr.v.24.06.1996		
e	137893	2021-06-07	JOSHIO
d	62436	2009-03-02	VOR
c	46930	2006-04-04	VOR
b	25986	1998-03-25	SIG
Index	MEC-No.	Date (YYYY-MM-DD)	Edited by

