

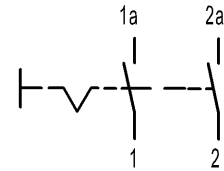
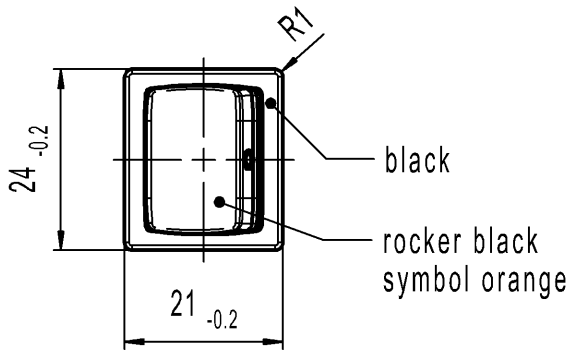
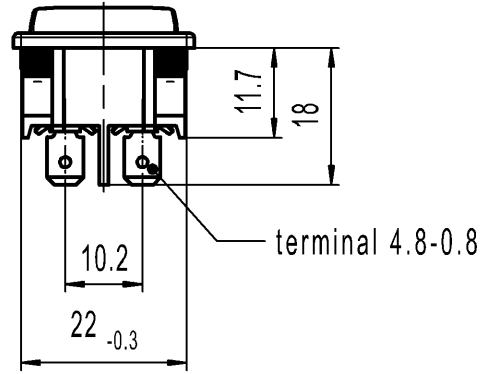
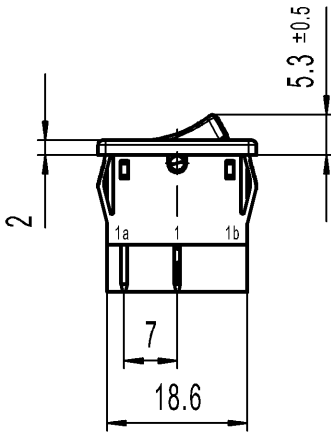
CONFIDENTIAL

VERTRAULICH

Alle Rechte bei Marquardt, auch fuer den Fall von Schutzrechtsanmeldungen. Jede Veruegungsbefugnis, wie Kopier- und Weitergaberecht, bei uns.

THIS DRAWING IS THE EXCLUSIVE PROPERTY OF MARQUARDT. WITHOUT THEIR CONSENT IT MAY NOT BE REPRODUCED OR GIVEN TO THIRD PARTIES.

A	recommended cut-out for snap-in fixing (edge opposite to snap-in direction)	wall thickness	length of cut-out	width of cut-out
		0.75 to 1.25 1.25 to 2 2 to 3	19.2 ^{-0.1} 19.4 ^{-0.1} 19.8 ^{-0.1}	21.9 ^{+0.1} 21.9 ^{+0.1} 21.9 ^{+0.1}



Marking



8(8)/250 ~ 5E4
12(4)/250 ~
5/70A 250V ~

T100/55

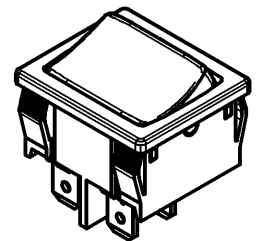
1802.

15A 125-250V AC
3/4HP 125V AC
1 1/2HP 250V AC
R149



DPST

suitable for appliances of class II



Code of manufacture: place/year/month

-		-		-		1802.1121-XX				
Figure		Type		Customer Part No.		Art.No.-PI				
Shape and location	Angle ± 2°	Length		Radii		Sheet 01	Ident. K	Document number 18021121	Index i	
	Edge tolerance	>0-6 ± 0.2	>6-15 ± 0.4	>15-30 ± 0.4	>30-70 ±					>70-120 ±
☉ ≡						Format DIN A4	Projection	Scale 1:1	Appliance Switch	
i		137845	2023-02-14	MUT		All dimensions are in millimetres				
h		61657	2009-01-20	VOR		System NX V1899			 MARQUARDT	
g		37630	2003-09-16	VOR		Replacement of				
f		25092	1997-09-04	SIG		Zg.gl.Nr.v.19.10.1994				
Index		MEC-No.	Date (YYYY-MM-DD)	Edited by						