

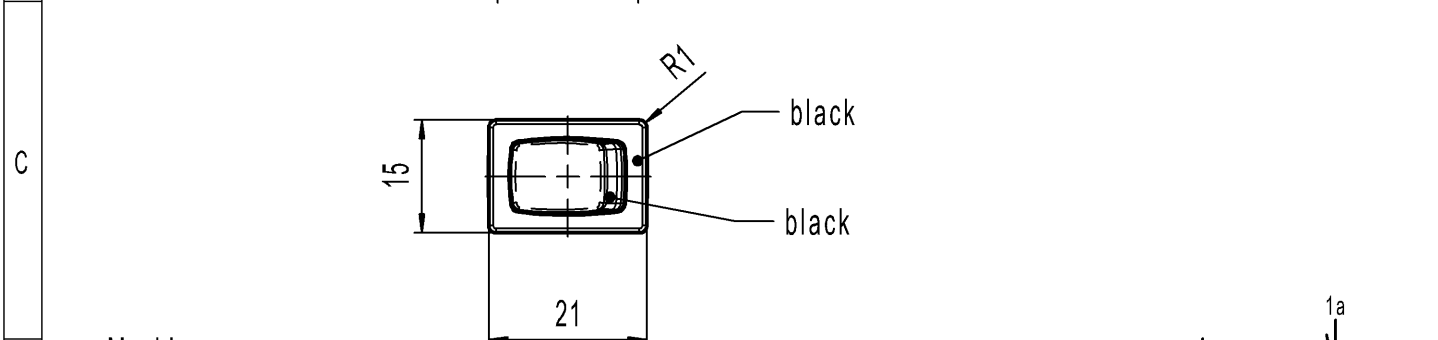
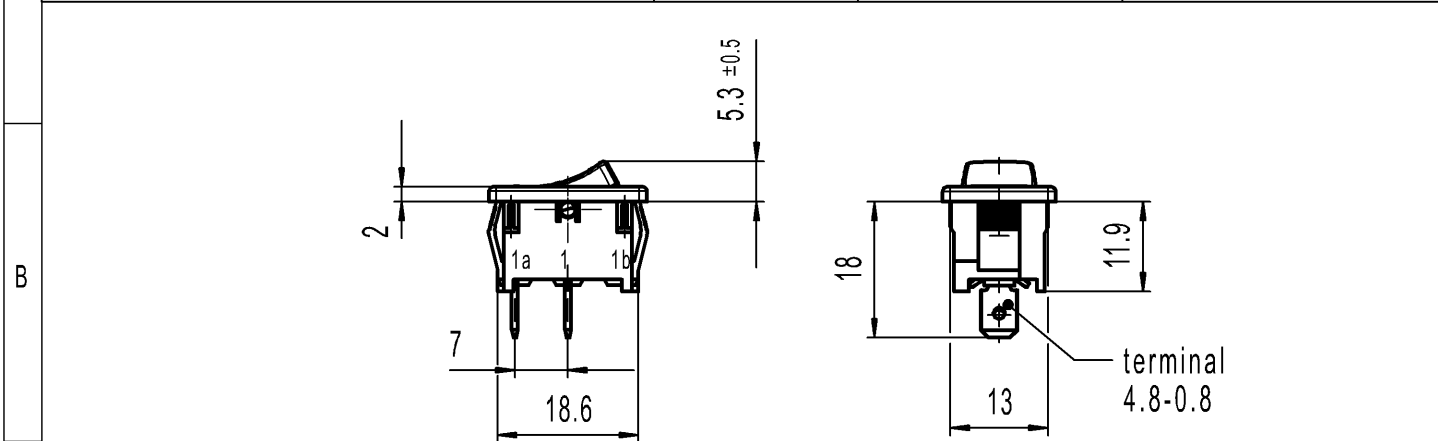
CONFIDENTIAL

VERTRAULICH

THIS DRAWING IS THE EXCLUSIVE PROPERTY OF MARQUARDT. WITHOUT THEIR CONSENT IT MAY NOT BE REPRODUCED OR GIVEN TO THIRD PARTIES.

Alle Rechte bei Marquardt, auch fuer den Fall von Schutzrechtsanmeldungen. Jede Veruegungsbefugnis, wie Kopier- und Weitergaberecht, bei uns.

A	recommended cut-out for snap-in fixing (edge opposite to snap-in direction)	1	2	3	4	
		0.75 to 1.25	1.25 to 2	2 to 3	length of cut-out	width of cut-out
		19.2-0.1	19.4-0.1	19.8-0.1		
		12.9+0.1	12.9+0.1	12.9+0.1		



Marking



18..
8(8)/250~ 5E4
12(4)/250~ T100/55
5/70 A 250V~



15A 125-250V AC
3/4 HP 125V AC
1 1/2 HP 125V AC
R149

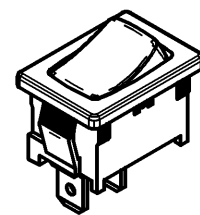
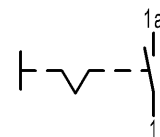
Code of manufacture: place/year/week

On box: G

SPST

Suitable for appliances of class II

G= matching IEC 60335-1:2001 clause 30



-		-		-		1801.1926-XX		
Figure		Type		Customer Part No.		Art.No.-PI		
Shape and location	Angle ± 2°	Length		Radii		Sheet	01	
	Edge tolerance	0-6	± 0.2		±	Ident.	K	
		>6-15	± 0.4		±	Document number	18011926	
		>15-30	± 0.4		±	Index	f	
		>30-70	±		±	Appliance Switch		
		>70-120	±		±			
		>120-200	±		±			
			±		±			
f	137838	2021-06-01		JOSHIO		All dimensions are in millimetres System NX V1872 Replacement of Zg.gl.Nr.v.06.12.2005		
e	106996	2017-03-03		MUT				
d	98181	2015-10-28		MUT				
c	75590	2011-10-04		MUT				
Index	MEC-No.	Date (YYYY-MM-DD)		Edited by		 MARQUARDT		