

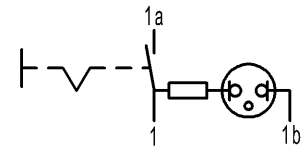
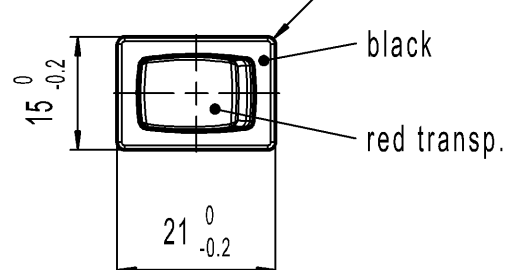
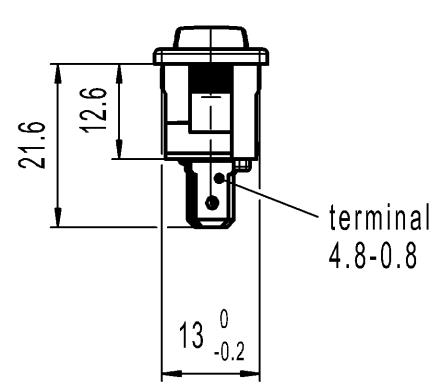
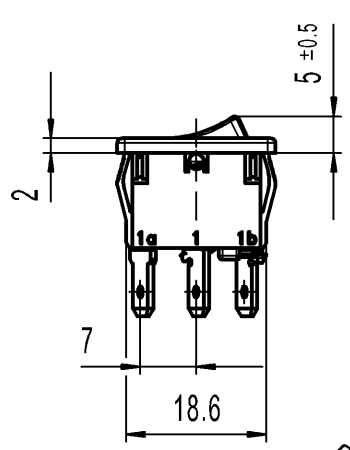
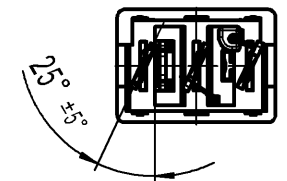
THIS DRAWING IS THE EXCLUSIVE PROPERTY OF MARQUARDT. WITHOUT THEIR CONSENT IT MAY NOT BE REPRODUCED OR GIVEN TO THIRD PARTIES.

CONFIDENTIAL

VERTRAULICH

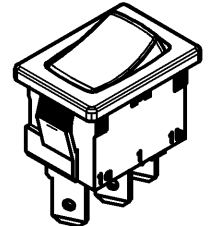
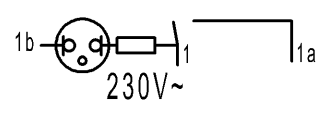
Alle Rechte bei Marquardt, auch fuer den Fall von Schutzrechtsanmeldungen. Jede Verfuugungsbefugnis, wie Kopier- und Weitergaberecht, bei uns.

A	recommended cut-out for snap-in fixing (edge opposite to snap-in direction)	1	2	3	4	
		0.75 to 1.25	1.25 to 2	2 to 3	length of cut-out	width of cut-out
		19.2-0.1	19.4-0.1	19.8-0.1		
		12.9+0.1	12.9+0.1	12.9+0.1		



SPST
Neon lamp with Rv for 230V AC
Suitable for appliances of class II

Marking
 1800.
 6(4)/250~5E4
 10(4)250~ T100/55
 6A 250V AC
 1/2HP
 R87



Code of manufacture: place/year/week

-	-	-	1800.1102-XX
Figure	Type	Customer Part No.	Art.No.-PI
Shape and location	Angle ± 2 °	Sheet 01	Ident. K
	Edge tolerance	Format DIN A4	Document number 18001102
		Projection	Index d
		Scale 1:1	Appliance Switch
		All dimensions are in millimetres	
d	137892	2021-07-09	PANDHAREA
c	29972	2000-11-13	MUT
b	15826	1984-03-29	RIE
Index	MEC-No.	Date (YYYY-MM-DD)	Edited by
		System NX V1872	
		Replacement of	
		Zg.gl.Nr.v.13.11.2000	

