

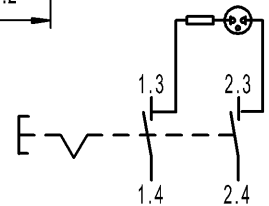
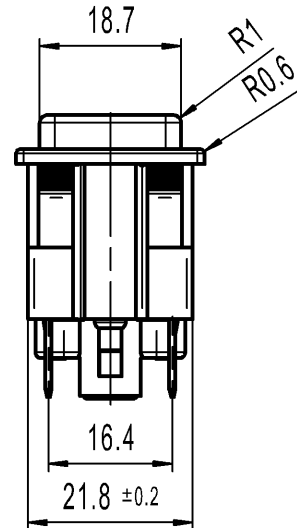
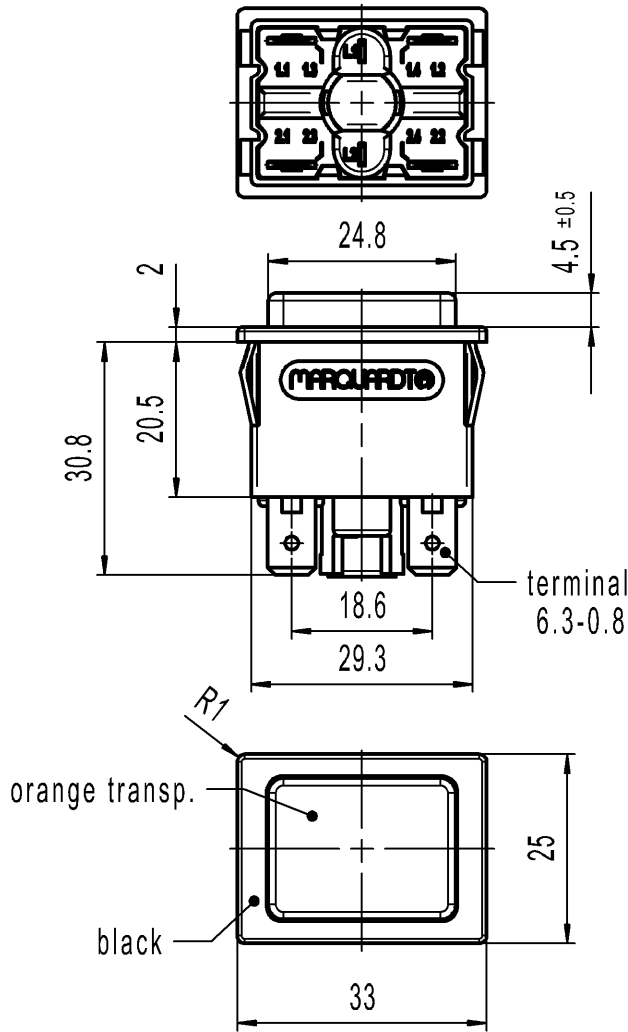
CONFIDENTIAL

VERTRAULICH

THIS DRAWING IS THE EXCLUSIVE PROPERTY OF MARQUARDT. WITHOUT THEIR CONSENT IT MAY NOT BE REPRODUCED OR GIVEN TO THIRD PARTIES.

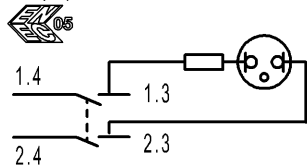
Alle Rechte bei Marquardt, auch fuer den Fall von Schutzrechtsanmeldungen. Jede Veruegungsbefugnis, wie Kopier- und Weitergaberecht, bei uns.

A	recommended cut-out for snap-in fixing (edge opposite to snap-in direction)	1	2	3	4	
				wall thickness	length of cut-out	width of cut-out
				0.75 to 1	30 +0.1	22.2 +0.2
				>1 to 1.5	30.2 +0.1	22.2 +0.2
		>1.5 to 3	30.4 +0.1	22.2 +0.2		

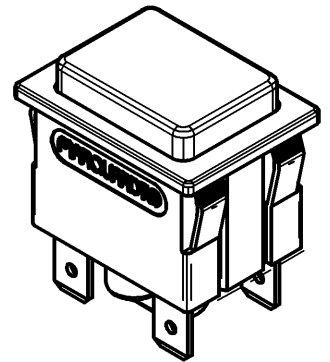


DPST
Neon lamp with Rv for 230 V AC
Total travel 4±0.4
Suitable for appliances of class II

Marking
MARQUARDT®
1660.
16(4)/250~ T85/55



Code of manufacture: place/year/week



-		-		-		1660.0201-XX			
Figure		Type		Customer Part No.		Art.No.-PI			
Shape and location	Angle ± 2°	Length		Radii		Sheet 01	Ident. K	Document number 16600201	Index i
	Edge tolerance	0-6	± 0.2						
		>6-15	± 0.4						
		>15-30	± 0.4						
		>30-70	± 0.6						
			±						
			±						
			±						
			±						
i	137245	2021-04-30		THAKARES		All dimensions are in millimetres		Appliance Switch	
h	32547	2002-05-08		SIG		System NX V1872			
g	28075	1999-10-12		MUT		Replacement of			
f	26325	1998-08-15		BB		Zg.gl.Nr.v.15.08.1998			
Index	MEC-No.	Date (YYYY-MM-DD)		Edited by					