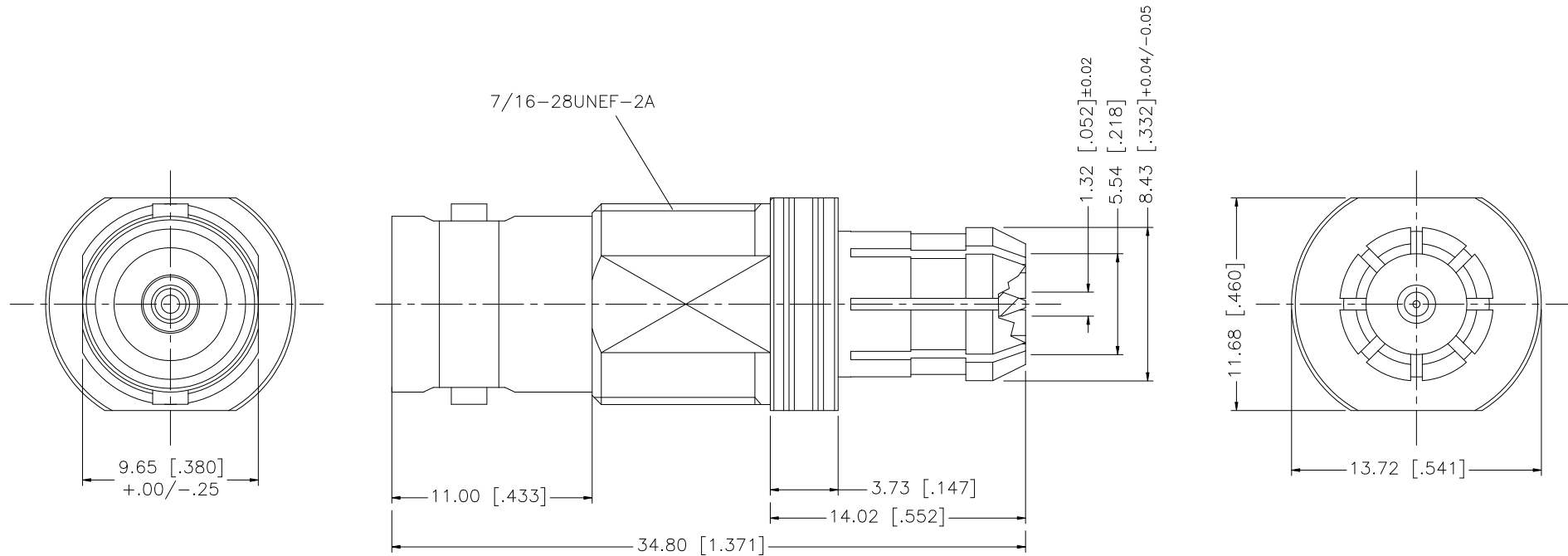


REV.	DATE	DESCRIPTION
NC	11/02/05	INITIAL RELEASE
A	10/30/06	REVISE BODY DESIGN
B	11/13/07	UPDATE PUSH-ON BODY, ADD FRONT VIEW TO SHOW 9.65 ON FLATS



8				
7				
6				
5				
4				
3	CONTACT PIN	PHOS. BRONZE	GOLD	1
2	INSULATOR	TEFLON	NATURAL	1
1	HOUSING/BODY	BRASS	NICKEL	1
	DESCRIPTION	MATERIAL	FINISH	QTY

UNLESS OTHERWISE SPECIFIED DIMENSIONS ARE IN MILLIMETERS. DIMENSIONS IN [ ] ARE IN INCHES AND FOR CUSTOMER REFERENCE ONLY.

UNLESS OTHERWISE SPECIFIED TOLERANCES FOR MILLIMETERS ARE:  
0.5 - 8mm ± 0.20mm  
8 - 30mm ± 0.40mm  
30 - 120mm ± 0.50mm

UNLESS OTHERWISE SPECIFIED TOLERANCES FOR INCHES ARE:  
.020 - .315 = ± 0.007"  
.315 - 1.180 = ± 0.015"  
1.180 - 4.724 = ± 0.020"

DO NOT SCALE DRAWING

APPROVALS	DATE
DRAWN G.R.S.	11/13/07
CHECKED	
ISSUED	
SHEET 1 OF 1	
CAD FILE	C:/112/112532-13-50.DWG

# Amphenol Connex

PART DESCRIPTION

JACK TO PLUG THRU BNC ADAPTER

PART NO.

112532-13-50

DWG. NO.

112532-13-50.DWG

REV. B

SIZE A

SCALE NA