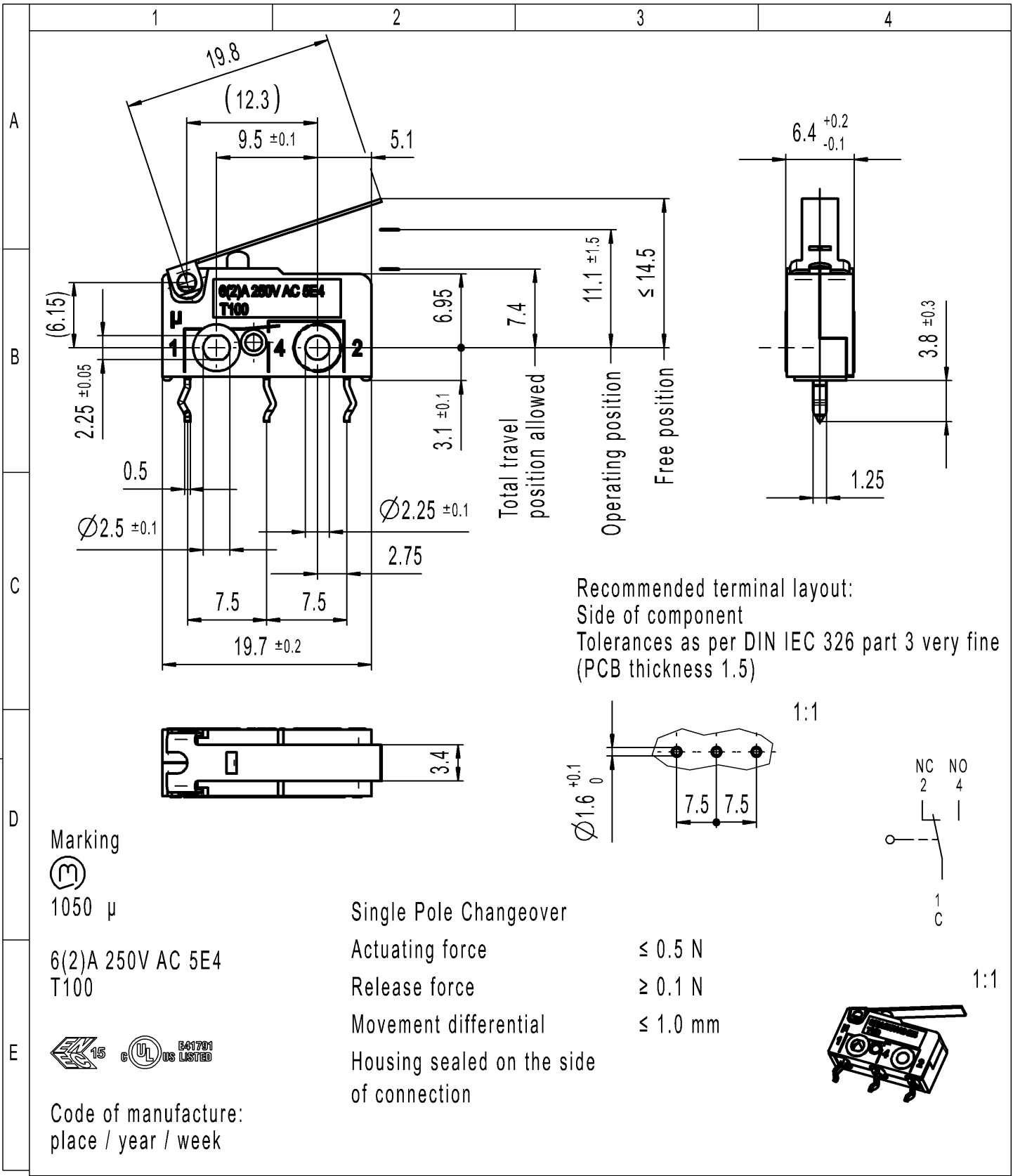


CONFIDENTIAL

VERTRAULICH

THIS DRAWING IS THE EXCLUSIVE PROPERTY OF MARQUARDT. WITHOUT THEIR CONSENT IT MAY NOT BE REPRODUCED OR GIVEN TO THIRD PARTIES.

Alle Rechte bei Marquardt, auch fuer den Fall von Schutzrechtsanmeldungen. Jede Veruegungsbefugnis, wie Kopier- und Weitergaberecht, bei uns.



Marking



1050 µ

6(2)A 250V AC 5E4
T100



Code of manufacture:
place / year / week

Single Pole Changeover

Actuating force ≤ 0.5 N

Release force ≥ 0.1 N

Movement differential ≤ 1.0 mm

Housing sealed on the side
of connection



-	-	-	1050.7202-XX
Figure	Type	Customer Part No.	Art.No.-PI
Shape and location	Angle ± 2 °	Sheet 01	Ident. K
	Edge tolerance	Format DIN A4	Document number 10507202
	Length	Projection	Index c
	0-6 ± 0.2	Scale 2:1	Snap Action Switch
	>6-30 ± 0.3	All dimensions are in millimetres	
	Radial	System NX V1872	MARQUARDT
	0-6 ± 0.2	Replacement of	
	>6-30 ± 0.3	Zg.gl.Nr.v.26.03.1993	
c	141307	2022-02-14	HHE
b	29551	2000-06-21	PFU
a	0	1994-07-07	MK
Index	MEC-No.	Date (YYYY-MM-DD)	Edited by