

Print page



·DC· MD280GAN



280x280x88.9mm / 11x3.5inch
1180~867 CFM

Metal Impeller DC Fan

Model No	Rated Volt VDC	Voltage Range VDC	Input Power Watt	Rated Current Amp	Ref. Speed RPM	Max. Airflow CFM	m3/min	Max. Static Pressure Inch/H2O	mm	Noise Level db(A)	PQ Curves	UL
MD280GAN-12M**	12	9~13.5	90	7.5	2100	1011	28.6	0.63	16	55	M	<input type="checkbox"/>
MD280GAN-12L**	12	9~13.5	50	4.2	1800	867	24.6	0.55	13.97	48	L	<input type="checkbox"/>
MD280GAN-24H**	24	18~27.6	104.4	4.35	2450	1180	33.4	0.90	22.86	72	H	<input checked="" type="checkbox"/>
MD280GAN-24M**	24	18~27.6	58.8	2.45	2200	1060	30	0.65	16.51	56	M	<input checked="" type="checkbox"/>
MD280GAN-24L**	24	18~27.6	26.4(~52.8)	1.1(~2.2)	1800	867	24.6	0.55	13.97	48	L	<input checked="" type="checkbox"/>
MD280GAN-48H**	48	24~55	105.6	2.2	2450	1180	33.4	0.90	22.86	72	H	<input checked="" type="checkbox"/>
MD280GAN-48M**	48	24~55	57.6	1.2	2200	1060	30	0.65	16.51	56	M	<input checked="" type="checkbox"/>
MD280GAN-48L**	48	24~55	26.4	0.55	1500	722	20.4	0.50	12.7	48	L	<input checked="" type="checkbox"/>

- ** = "WB" for wire lead type Ball bearing, or "TB" for terminal type Ball bearing
- Sinwan reserves the right to change data and improve electrical & mechanical design without notice, data tolerance +-10%

Motor

Motor Type: Microprocessor brushless DC Motor, auto cutoff, auto restart
Burnout Protection: Electronically protected, polarity protected
IP Protection: IP55,56 optional request

Mechanical

Frame: Aluminum die cast, natural color(AN)
Impeller: 7 blades, all metal
Bearing: Two ball bearings
Rotation: CCW seen on rotor
Connection: Wire lead or terminal flat pin connecting
Weight: 2,950g (6.5 Lbs)

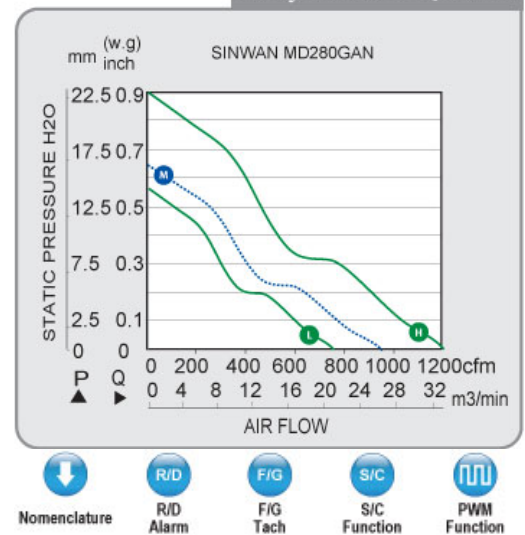
Electronical

Dielectric Strength: 500 VAC/min. Max leakage 0.5mA
Speed Control: Optional: PWM, S/C NTC thermister, S/V (0~10V) speed control on request
Signal Output: Optional: R/D alarm output, tachometer output

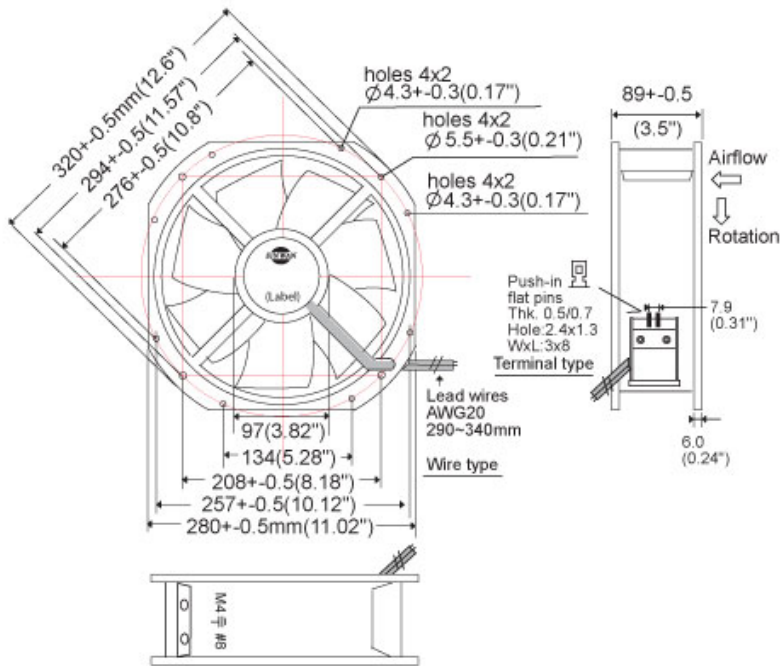
Environment

Operating Temp: -20C~+65C
Storage Temp: -20C~+75C (at 65%RH)
Life Expectancy: L10 50K hours at 50C

► Performance P-Q Curves



▶ Outline Dimensions



Relevant products

