

Print page



**·DC· MD180FAP**



**180x180x65mm / 7x2.5inch**  
**480~220 CFM**

Metal Impeller DC Fan

Model No	Rated Volt	Voltage Range	Input Power	Rated Current	Ref. Speed	Max.Airflow		Max.Static Pressure		Noise Level	PQ Curves
	VDC	VDC	Watt	Amp	RPM	CFM	m3/min	Inch/H2O	mm	db(A)	
MD180FAP-12SH**	12	9~13.8	64.8	5.4	3700	475	13.5	0.87	22.1	64	SH
MD180FAP-12HH**	12	9~13.8	50.4	4.2	3400	440	12.5	0.82	20.83	62	HH
MD180FAP-12H**	12	9~13.8	23	1.9	2800	360	10.2	0.72	18.29	58	H
MD180FAP-12M**	12	10~14	13.2	1.1	2200	295	8.4	0.55	13.97	49	M
MD180FAP-12L**	12	10~14	5.5	0.45	1600	220	6.2	0.38	9.65	38	L
MD180FAP-24SH**	24	12~27.6	63.6	2.65	3800	480	13.6	0.88	22.35	66	SH
MD180FAP-24HH**	24	12~27.6	50.4	2.1	3500	445	12.6	0.82	20.83	62	HH
MD180FAP-24H**	24	12~27.6	24	0.97	2800	360	10.2	0.72	18.29	58	H
MD180FAP-24M**	24	12~28	13	0.52	2200	295	8.4	0.55	13.97	49	M
MD180FAP-24L**	24	15~28	5	0.20	1600	220	6.2	0.38	9.65	38	L
MD180FAP-48SH**	48	24~53	62.4	1.3	3800	480	13.6	0.88	22.35	66	SH
MD180FAP-48HH**	48	24~53	49.4	1.03	3500	445	12.6	0.82	20.83	62	HH
MD180FAP-48H**	48	24~55	23.5	0.48	2800	360	10.2	0.72	18.29	58	H
MD180FAP-48M**	48	28~58	14.5	0.30	2200	295	8.4	0.55	13.97	49	M
MD180FAP-48L**	48	30~60	5.8	0.12	1600	220	6.2	0.38	9.65	38	L

- \*\* = "WB" for wire lead type Ball bearing, or "TB" for terminal type Ball bearing
- Sinwan reserves the right to change data and improve electrical & mechanical design without notice, data tolerance +-10%

**Motor**

Motor Type: Microprocessor brushless DC Motor, auto cutoff, auto restart

Burnout Protection: Electronically protected, polarity protected

IP Protection: IP55,56 optional request

**Mechanical**

Frame: Aluminum die cast, black color(AP)

Impeller: 5 blades, all metal

Bearing: Two ball bearings

Rotation: CW seen on rotor

Connection: Wire lead or terminal flat pin connecting

Weight: 1,400g (3.08 Lbs)

**Electronical**

Dielectric Strength: 500 VAC/min. Max leakage 0.5mA

Speed Control: Optional:PWM, S/C NTC thermister, S/V (0~10V) speed control on request

Signal Output: Optional:R/D alarm output, tachometer output

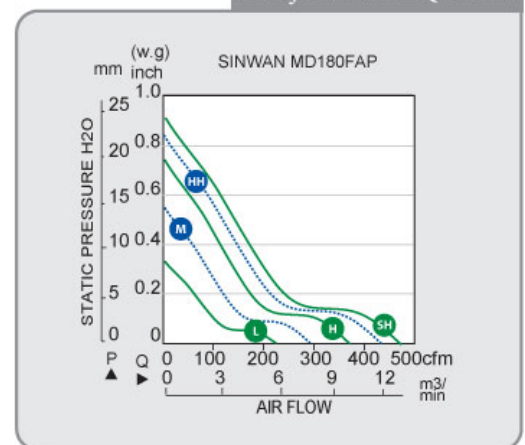
**Environment**

Operating Temp: -20C~+65C

Storage Temp: -20C~+75C (at 65%RH)

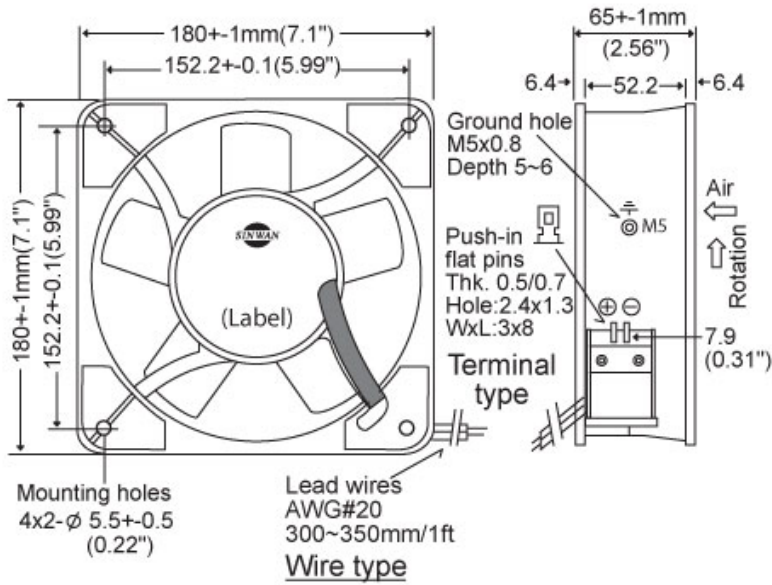
Life Expectancy: L10 50K hours at 50C

**► Performance P-Q Curves**



-  Nomenclature
-  R/D Alarm
-  F/G Tach
-  S/C Function
-  PWM Function

▶ Outline Dimensions



Relevant products

