

Print page



·DC· MD175SAP



172x150x51mm / 6x2inch

325~150 CFM

Metal Impeller DC Fan

Model No	Rated Volt VDC	Voltage Range VDC	Input Power Watt	Rated Current Amp	Ref. Speed RPM	Max.Airflow CFM m3/min	Max.Static Pressure Inch/H2O mm	Noise Level db(A)	PQ Curves
MD175SAP-12SH**7	12	8~14	64.8	5.4	4300	320 9.1	1.1 27.94	64	SH
MD175SAP-12HH**7	12	8~14	50.4	4.2	4100	300 8.5	1.05 26.67	61	HH
MD175SAP-12H**7	12	8~14	23	1.9	3700	275 7.8	0.95 24.13	55	H
MD175SAP-12M**7	12	9~14	13.2	1.1	2800	210 5.9	0.82 20.83	46	M
MD175SAP-12L**7	12	9~15	5.5	0.45	2000	150 4.2	0.58 14.73	37	L
MD175SAP-24SH**7	24	15~27.6	63.6	2.65	4350	325 9.2	1.25 31.75	65	SH
MD175SAP-24HH**7	24	15~27.6	50.4	2.1	4200	310 8.8	1.2 30.48	63	HH
MD175SAP-24H**7	24	15~27.6	24	0.97	3850	295 8.4	1.1 27.94	58	H
MD175SAP-24M**7	24	17~28	13	0.52	2800	210 5.9	0.82 20.83	45	M
MD175SAP-24L**7	24	17~28	5	0.20	2000	150 4.2	0.58 14.73	37	L
MD175SAP-48SH**7	48	22~55	62.4	1.3	4350	325 9.2	1.25 31.75	65	SH
MD175SAP-48HH**7	48	22~55	49.4	1.03	4200	310 8.8	1.2 30.48	63	HH
MD175SAP-48H**7	48	22~55	23.5	0.48	3850	295 8.4	1.1 27.94	58	H
MD175SAP-48M**7	48	24~58	14.5	0.30	2800	210 5.9	0.82 20.83	45	M
MD175SAP-48L**7	48	24~60	5.8	0.12	2000	150 4.2	0.58 14.73	37	L

- ** = "WB" for wire lead type Ball bearing, or "TB" for terminal type Ball bearing
- Sinwan reserves the right to change data and improve electrical & mechanical design without notice, data tolerance +-10%

Motor

Motor Type: Microprocessor brushless DC Motor, auto cutoff, auto restart
 Burnout Protection: Electronically protected, polarity protected
 IP Protection: IP55,56 optional request

Mechanical

Frame: Aluminum die cast, black color(AP)
 Impeller: 7 blades, all metal
 Bearing: Two ball bearings
 Rotation: CW seen on rotor
 Connection: Wire lead or terminal flat pin connecting
 Weight: 920 g (2.02 Lbs)

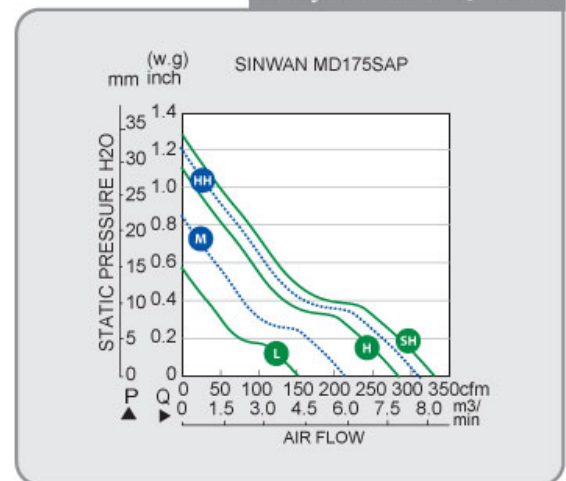
Electrical

Dielectric Strength: 500 VAC/min. Max leakage 0.5mA
 Speed Control: Optional:PWM, S/C NTC thermister
 Signal Output: Optional:R/D alarm output, tachometer output

Environment

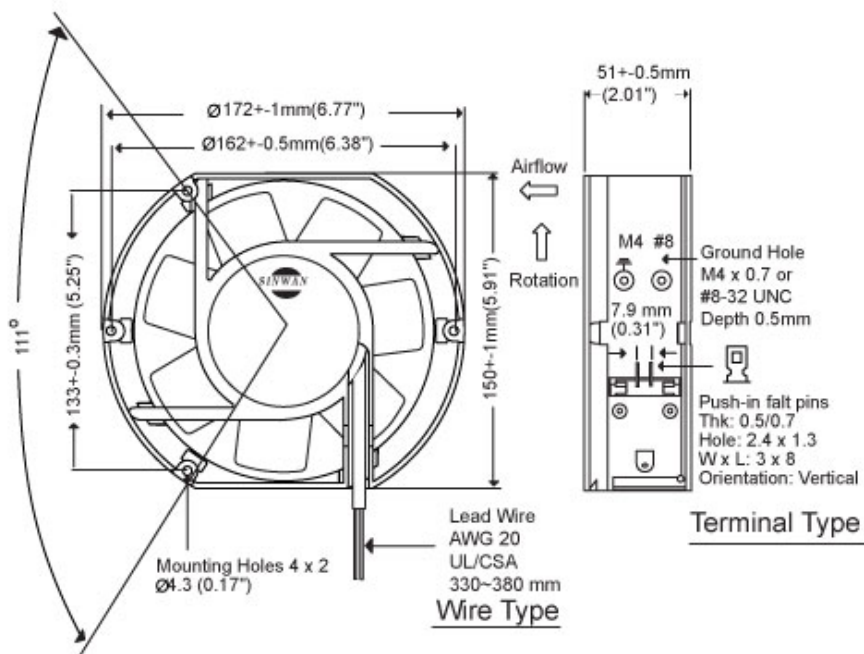
Operating Temp: -20C~+65C
 Storage Temp: -20C~+75C (at 65%RH)
 Life Expectancy: L10 50K hours at 50C

▶ Performance P-Q Curves



-  Nomenclature
-  R/D Alarm
-  F/G Tach
-  S/C Function
-  PWM Function

▶ Outline Dimensions



Relevant products



Metal Fan Guard
G172-10H, G172-10HA



Plastic Fan Guard
G172P



Plastic Fan Filter
GRM172-30, GRM172-45



Metal Fan Screen
MF172S-30N



RoHS