

Print page



·DC· MD1238AP



120x120x38mm / 4.7x1.5inch

140~94 CFM

Metal DC Fan, Steel Metal Fan Blades. High Performance

Model No	Rated Volt VDC	Voltage Range VDC	Input Power Watt	Rated Current Amp	Ref. Speed RPM	Max. Airflow CFM m3/min	Max. Static Pressure Inch/H2O mm	Noise Level db(A)	PQ Curves	UL
MD1238AP-05SH** (EH)	5	4~6	9.5(~15)	1.9(~3)	3200	120 3.4	0.42 10.67	44	SH	<input checked="" type="checkbox"/>
MD1238AP-05SH**	5	4~6	9.5	1.9	2800	103 2.9	0.37 9.4	41	HH	<input checked="" type="checkbox"/>
MD1238AP-05HH**	5	4~6	8	1.6	2500	94 2.7	0.35 8.89	36	H	<input checked="" type="checkbox"/>
MD1238AP-12SH** (EH)	12	8~13.8	10.6(~15)	0.88(~1.3)	3800	140 4	0.45 11.43	46	EH	<input checked="" type="checkbox"/>
MD1238AP-12SH**	12	8~13.8	10.6	0.88	3200	120 3.4	0.40 10.16	41	SH	<input checked="" type="checkbox"/>
MD1238AP-12HH**	12	10~13.8	8.4	0.7	3000	110 3.1	0.38 9.65	41	HH	<input checked="" type="checkbox"/>
MD1238AP-12H**	12	8~13.8	6	0.5	2500	94 2.7	0.35 8.89	35	H	<input checked="" type="checkbox"/>
MD1238AP-24SH** (EH)	24	12~27.6	10.3(~15)	0.43(~0.62)	3800	140 4	0.45 11.43	47	EH	<input checked="" type="checkbox"/>
MD1238AP-24SH**	24	12~27.6	10.3	0.43	3600	130 3.7	0.40 10.16	45	SH	<input checked="" type="checkbox"/>
MD1238AP-24HH**	24	12~27.6	8.4	0.35	3000	110 3.1	0.38 9.65	41	HH	<input checked="" type="checkbox"/>
MD1238AP-38SH** (EH)	38	24~44	10.3(~15)	0.27(~0.4)	3800	140 4	0.45 11.43	47	EH	<input checked="" type="checkbox"/>
MD1238AP-38SH**	38	24~44	10.3	0.27	3200	120 3.4	0.40 10.16	45	SH	<input checked="" type="checkbox"/>
MD1238AP-48SH** (EH)	48	38~55	10.6(~15)	0.22(~0.32)	3800	140 4	0.45 11.43	47	EH	<input checked="" type="checkbox"/>
MD1238AP-48SH**	48	38~55	10.6	0.22	3600	130 3.7	0.40 10.16	45	SH	<input checked="" type="checkbox"/>
MD1238AP-48HH**	48	38~55	7.7	0.16	3000	110 3.1	0.38 9.65	41	HH	<input checked="" type="checkbox"/>

- ** = "WB" for wire lead type Ball bearing, or "TB" for terminal type Ball bearing
- Sinwan reserves the right to change data and improve electrical & mechanical design without notice, data tolerance +-10%

Motor

Motor Type: brushless DC motor, alarm, tach, pwm, thermal speed controls

Burnout Protection: Electronically protected, polarity protected

IP Protection: IP55,56 optional request

Mechanical

Frame: Aluminum die-cast, black color treatment

Impeller: Metal steel fan blades, welded spoting joint blades & metal rotor

Bearing: Two Ball bearings

Rotation: CCW at left (L), seen on rotor

Connection: Wire lead or Terminal push-pin connecting for choice

Weight: 440 Gm (0.97Lbs)

Electronical

Dielectric Strength: 500 VAC/min. Max leakage 0.5mA

Speed Control: Pwm, thermal NTC S/C

Signal Output: Alarm R/D, Tach F/G

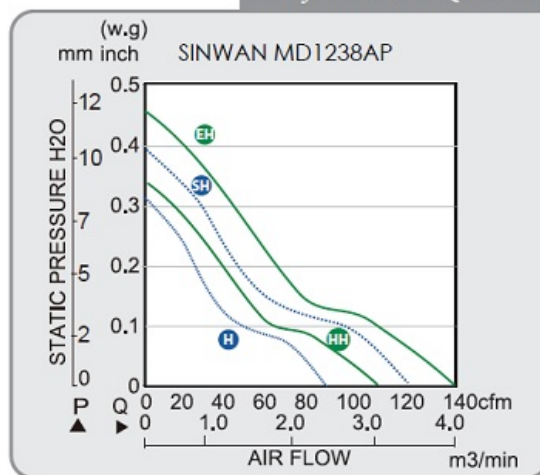
Environment

Operating Temp: -20C~+65C

Storage Temp: -20C~+75C (at 65%RH)

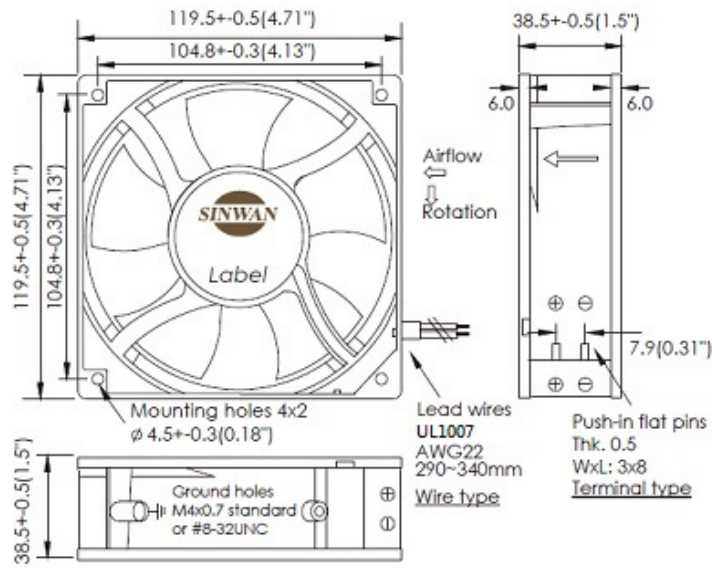
Life Expectancy: L10 80K hours at 45C, 40K hours at 55C,

► Performance P-Q Curves



-  Nomenclature
-  R/D Alarm
-  F/G Tach
-  S/C Function
-  PWM Function

▶ Outline Dimensions



Relevant products



Metal Fan Guard

G109-15A, G109-15B, G109-17



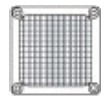
Plastic Fan Guard

G119P2, G119P4, G120P, G120P2, G120P25F, G120P4



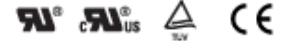
Plastic Fan Filter

GRM120-30, GRM120-45



Metal Fan Screen

MF120S-30N



RoHS