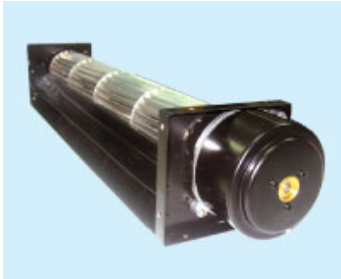


Print page



·DC· MCD642SP



Φ60xL.420x499x90mm
298~153 CFM

DC Crossflow fan

Model No	Rated Volt	Voltage Range	Input Power	Rated Current	Ref. Speed	Max. Airflow	Max. Static Pressure	Noise Level	PQ Curves
	VDC	VDC	Watt	Amp	RPM	CFM m3/min	Inch/H2O mm	db(A)	
MCD642SP-12HH** (****#)	12	8~13.8	54	4.5	3200	295 8.4	0.25 6.35	64	
MCD642SP-12H** (****#)	12	8~13.8	32	2.67	2600	260 7.4	0.21 5.33	53	
MCD642SP-12M** (****#)	12	8~13.8	21	1.75	2000	195 5.5	0.17 4.32	41	
MCD642SP-12L** (****#)	12	8~13.8	16	1.33	1500	153 4.3	0.13 3.3	35	
MCD642SP-24HH** (****#)	24	15~27.6	60.2	2.51	3200	295 8.4	0.25 6.35	64	
MCD642SP-24H** (****#)	24	15~27.6	30	1.25	2600	260 7.4	0.21 5.33	53	
MCD642SP-24M** (****#)	24	15~27.6	21	0.88	2000	195 5.5	0.18 4.57	41	
MCD642SP-24L** (****#)	24	15~27.6	16	0.67	1500	153 4.3	0.13 3.3	35	
MCD642SP-48HH** (****#)	48	28~53	55	1.15	3200	296 8.4	0.27 6.86	64	
MCD642SP-48H** (****#)	48	28~53	30	0.62	2650	263 7.4	0.23 5.84	53	
MCD642SP-48M** (****#)	48	28~55	21	0.44	2000	195 5.5	0.18 4.57	41	
MCD642SP-48L** (****#)	48	28~55	16	0.33	1500	153 4.3	0.13 3.3	35	

- ** = "WB" for wire lead type Ball bearing, or "TB" for terminal block type Ball bearing
 - (****#) = (RENON),(LESGN),(RESG F/G),
 - 1st* = R, L, C - Motor position
 - 2nd* = E, V, Q, H - Air outlet direction
 - 3rd* = S, N - Shield Guard for motor
 - 4th* = G, O - Grill Guard for Impeller
 - # = R/D, F/G, S/C, P/W, S/V, N - Motor Function, N = none, normal motor
- Please click Nomenclature to have full & clear model No.
- Sinwan reserves the right to change data and improve electrical & mechanical design without notice, data tolerance +-10%

Motor

Motor Type: Sinwan Brushless DC Motor MED178AN
 Burnout Protection: Electronically protected, polarity & locked rotor protection
 IP Protection: IP ratings on request

Mechanical

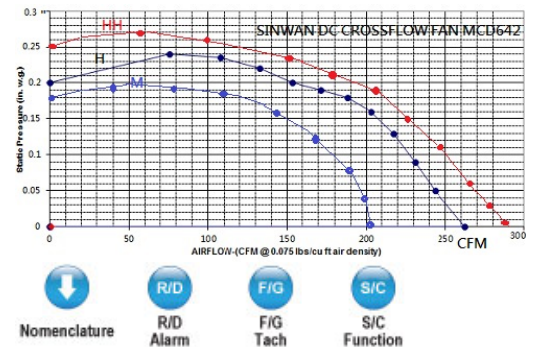
Frame: Steel plate housing and frame, black coating
 Impeller: Aluminum alloy fan blades
 Bearing: 3 high precision permanently lubricated ball bearings
 Rotation: Motor at right side (R type), left (L type) for choice, viewed from air outlet
 Connection: Wire leads * Leads with terminal block on request
 Weight: 1,400g (3.08Lbs)

Electrical

Dielectric Strength: 500 VAC/min. Max leakage 0.5mA
 Speed Control: Optional: PWM, S/C NTC thermister
 Signal Output: Optional: RD Rotation Detactor, FG Frequency Generator

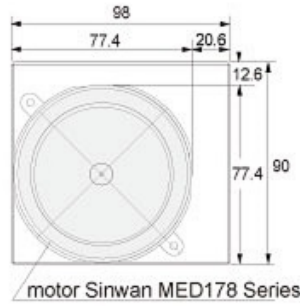
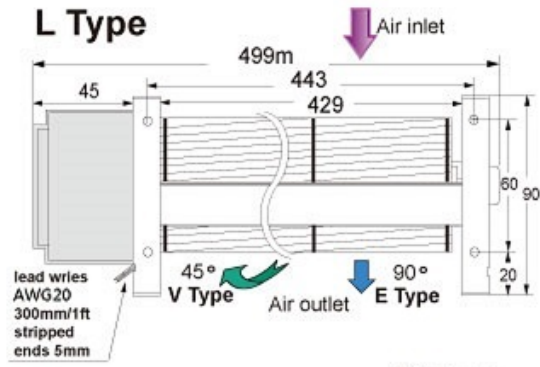
Environment

Operating Temp: -20C~+65C
 Storage Temp: -20C~+75C (at 65%RH)
 Life Expectancy: L10 50K hours at 45°C, 30K hours at 60°C

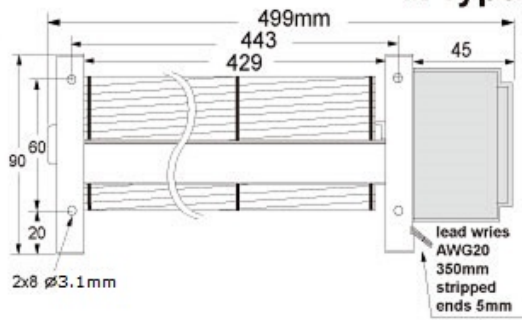


▶ Outline Dimensions

L Type



R Type



Relevant products



Motor
Sinwan Motor MED178AN

