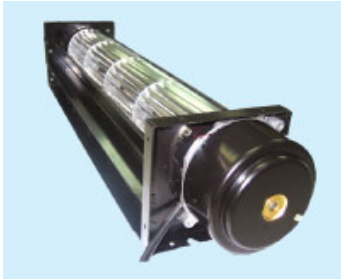


Print page



•DC MCD636SP



Φ60xL.360x439x90mm
275~120 CFM

DC Crossflow fan

Model No	Rated Volt	Voltage Range	Input Power	Rated Current	Ref. Speed	Max.Airflow		Max.Static Pressure		Noise Level	PQ
	VDC	VDC	Watt	Amp	RPM	CFM	m3/min	Inch/H2O	mm	db(A)	Curves
MCD636SP-12HH** (****#)	12	8~13.8	50.4~55	4.2~4.6	3100	270	7.6	0.43	10.92	61	
MCD636SP-12H** (****#)	12	8~13.8	31	2.67	2700	230	6.5	0.41	10.41	46	
MCD636SP-12M** (****#)	12	8~13.8	25	2.1	2200	177	5	0.29	7.37	36	
MCD636SP-12L** (****#)	12	8~14	20	1.67	1500	120	3.4	0.14	3.56	27	
MCD636SP-24HH** (****#)	24	15~27.6	50.4~55	2.1~2.3	3200	275	7.8	0.44	11.18	61	
MCD636SP-24H** (****#)	24	15~27.6	31	1.29	2800	240	6.8	0.41	10.41	46	
MCD636SP-24M** (****#)	24	15~27.6	25	1.04	2200	177	5	0.29	7.37	36	
MCD636SP-24L** (****#)	24	15~27.6	20	0.83	1500	120	3.4	0.14	3.56	27	
MCD636SP-48HH** (****#)	48	22~56	50.4~55	1.1~1.2	3200	275	7.8	0.44	11.18	61	
MCD636SP-48H** (****#)	48	22~56	31	0.64	2800	240	6.8	0.41	10.41	46	
MCD636SP-48M** (****#)	48	22~56	25	0.52	2200	177	5	0.29	7.37	36	
MCD636SP-48L** (****#)	48	22~56	20	0.42	1500	120	3.4	0.14	3.56	27	

- ** = "WB" for wire lead type Ball bearing, or "TB" for terminal block type Ball bearing
 - (****#) = (RENON),(LESGN),(RESG F/G),
 - 1st* = R, L, C - Motor position
 - 2nd* = E, V, Q, H - Air outlet direction
 - 3rd* = S, N - Shield Guard for motor
 - 4th* = G, O - Grill Guard for Impeller
 - # = R/D, F/G, S/C, P/W, S/V, N - Motor Function, N = none, normal motor
- Please click Nomenclature to have full & clear model No.
- Sinwan reserves the right to change data and improve electrical & mechanical design without notice, data tolerance +-10%

Motor

Motor Type: Sinwan Brushless DC Motor MED175AN
 Burnout Protection: Electronically protected, polarity & locked rotor protection
 IP Protection: IP ratings on request

Mechanical

Frame: Steel plate housing and frame, black coating
 Impeller: Aluminum alloy fan blades
 Bearing: 3 high precision permanently lubricated ball bearings
 Rotation: Motor at right side (R type), left (L type) for choice, viewed from air outlet
 Connection: Wire leads * Leads with terminal block on request
 Weight: 1,460g (4.70Lbs)

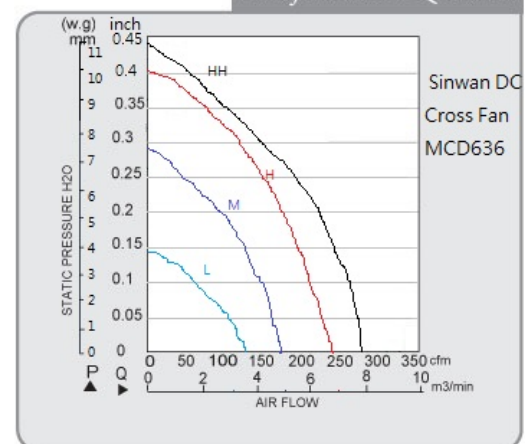
Electronical

Dielectric Strength: 500 VAC/min. Max leakage 0.5mA
 Speed Control: Optional: PWM, S/C NTC thermister
 Signal Output: Optional: RD Rotation Detactor, FG Frequency Generator

Environment

Operating Temp: -20C~+65C
 Storage Temp: -20C~+75C (at 65%RH)
 Life Expectancy: L10 50K hours at 45°C, 30K hours at 60°C

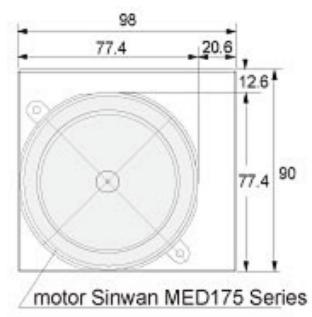
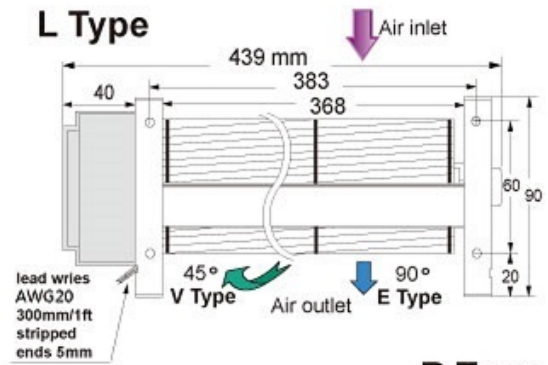
► Performance P-Q Curves



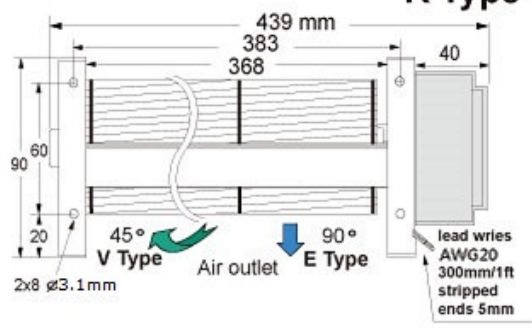
-  Nomenclature
-  R/D Alarm
-  F/G Tach
-  S/C Function

▶ Outline Dimensions

L Type



R Type



Relevant products



Motor
Sinwan Motor MED175AN

