



Language

ENGLISH ▾

[Home](#) [About Sinwan](#) [Technical Support](#) [Contact Us](#)
[AC Fans](#) [DC Fans](#) [EC Fans](#) [IP68/IP69K Fans](#) [Heat-Resistant Fans](#) [Reversible Flow Fans](#) [Fan Accessories](#) [Motors](#)

Print page



·AC· MCA509SP



Φ50xL.90x166x70mm

38~22 CFM, AC Crossflow fan

Model No	Rated Volt	Voltage Range	Freq	Input Power	Ref. Speed	Max. Airflow		Max. Static Pressure		Noise Level	PQ
	VAC	VAC	Hz	Watt	RPM	CFM	m3/min	Inch/H2O	mm	db(A)	
MCA509SP11-1** (****#)	115	100~120	50/60	13/12	2800/2700	38/36	1.1/1	0.11/0.10	2.79/2.54	38	2/1
MCA509SP11-2** (****#)	115	100~120	50/60	10/9	2300/2200	30/28	0.8/0.8	0.09/0.08	2.29/2.03	32	4/3
MCA509SP11-3** (****#)	115	100~120	50/60	7/6	1800/1700	24/22	0.7/0.6	0.08/0.07	2.03/1.78	25	6/5
MCA509SP22-1** (****#)	230	200~240	50/60	13/12	2800/2700	38/36	1.1/1	0.11/0.10	2.79/2.54	38	2/1
MCA509SP22-2** (****#)	230	200~240	50/60	10/9	2300/2200	30/28	0.8/0.8	0.09/0.08	2.29/2.03	32	4/3
MCA509SP22-3** (****#)	230	200~240	50/60	7/6	1800/1700	24/22	0.7/0.6	0.08/0.07	2.03/1.78	25	6/5
MCA509SP11/22-1** (****#)	115	100~120	50/60	13/12	2800/2700	38/36	1.1/1	0.11/0.10	2.79/2.54	38	2/1
Dual voltage	230	200~240									

- ** = "WB" for wire lead type Ball bearing, or "TB" for terminal block type Ball bearing
- (****#) = (RENON),(LESGN),(RESG F/G),

1st* = R, L, C - Motor position

2nd* = E, V, Q, H - Air outlet direction

3rd* = S, N - Shield Guard for motor

4th* = G, O - Grill Guard for Impeller

= R/D, F/G, S/C, P/W, S/V, N - Motor Function, N = none, normal motor

Please click Nomenclature to have full & clear model No.

- 100, 200, 240V or special voltages 12, 24, 28, 38, 42, 48, 380~440~480... 50/60Hz, & dual voltage version available on request.
- Dual speed High/Medium 1/2, High/Low 1/3, Medium/Low 2/3, Low/extra Low 3/4 or triple speed 1/2/3 available on request.
- Sinwan reserves the right to change data and improve electrical or mechanical design without notice, data tolerance + -10%

Motor

Motor Type: Shaded pole, inner rotor, 2 pole, single phase, Sinwan Motor MIA109AN

Burnout Protection: Impedance protected

IP Protection:

Mechanical

Frame: Steel alloy sheet housing & frame, coating black or galvanized

Impeller: Aluminum alloy fan blades

Bearing: Permanently lubricated ball bearings for motor and bracket

Rotation: CW motor at right (R), CCW at left (L), seen from air outlet

Connection: Wire leads or terminal block connecting for choice

Weight: 610Gm (1.34 Lbs)

Electrical

Dielectric Strength: Over 1 min. at 1,500VAC, 0.5mA, 50/60Hz

Insulation Resistance: Over 100 MΩ at DC 500V

Signal Output: Optional: R/D alarm output, tachometer output

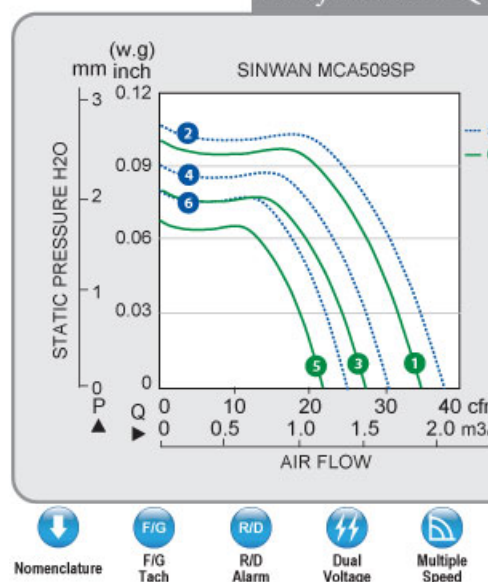
Environment

Operating Temp: Acceptable -25°C~+65°C

Storage Temp: -30°C~+90°C (65%RH)

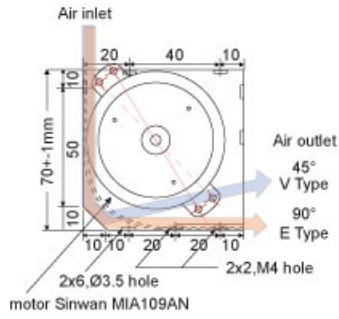
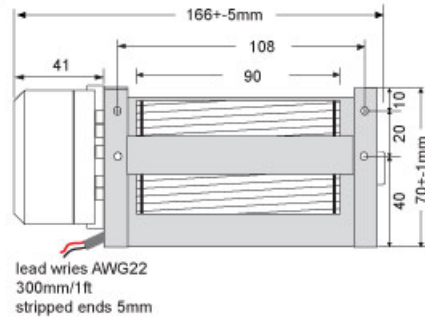
Life Expectancy: 40K hrs at 45°C, 25K hrs at 65°C

Performance P-Q

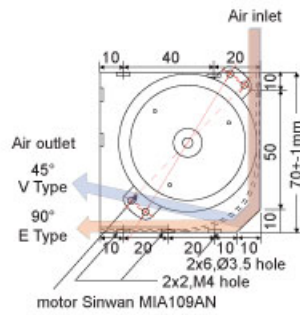
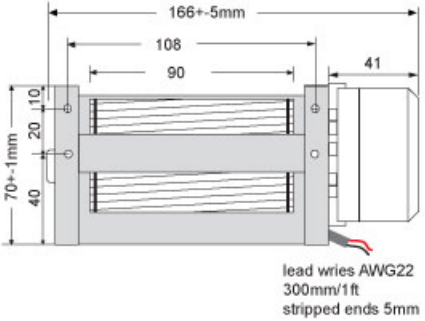


Outline Dimensions

L Type



R Type



Relevant products



Motor
Sinwan Motor MIA109AN

CE RoHS

Sinwan Electric Industries Co., Ltd.

Email: sinwanfan@sinwan.com.tw

TEL: 886-2-26620728

FAX: 886-2-26627019