

SENCITY® SC Omni VPol Omni 380-400, 7.5dBi

K862748

Properties

- Vertical polarized omni-directional high gain antenna
- Frequency range from 380 to 400 MHz
- The antenna is providing a gain of 8.5dBi



Electrical bands	
	Band 1
Frequency (MHz)	380 MHz ... 400 MHz
Impedance	50 Ω
VSWR	1.5
Gain (dBi)	7.5 dBi
Ambient Temperature	50 °C
Composite Power max	500 W

Electrical remarks	
Remarks	Intermodulation IM3 < -150 dBc (2 x 43 dBm carrier)

Ports	
Port name	Tetra
Connector	7/16, jack (female)
Polarization	vertical
DC grounded	Yes

Connections	
Port number	
Band 1	<input checked="" type="checkbox"/>

Mechanical data	
Weight	8 kg
Dimensions	2840 mm x 112 mm (Heigth x Width)
Windload	front: 200 N at 150 km/h

SENCITY® SC Omni VPol Omni 380-400, 7.5dBi

K862748

Material data

Radome colour	Grey
Back plate/base plate material	Aluminium
Back plate/base plate colour	Grey
Housing material and surface treatment	Grey

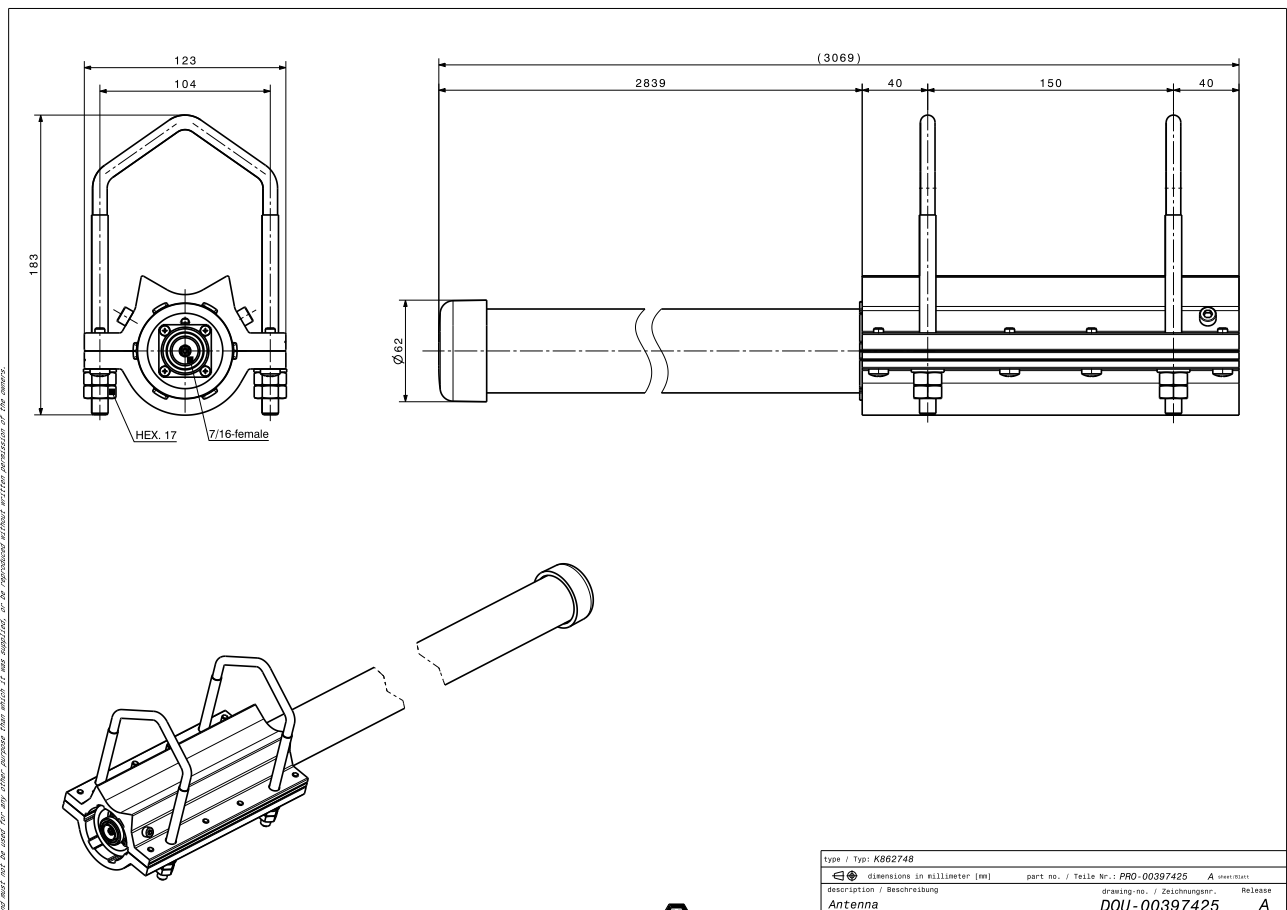
Environmental data

Environment (application)	Outdoor
---------------------------	---------

Environmental remarks

Material: Radiator: Copper and brass. Radome: Fiberglass, colour: Grey. Base: Weather-proof aluminum. Mounting kit, screws and nuts: Stainless steel. Mounting: The antenna can be attached laterally at the tip of a tubular mast of 50-94 mm diameter with two U-bolt brackets supplied with the antenna (connecting cable runs outside the mast). Anti-static protection: All metal parts of the antenna as well as the supplied clamp attachment are grounded. The inner conductor is capacitively coupled. Lightning protection: The antenna is designed to withstand a lightning current of up to 150 kA (impulse: 10/350 µs), according to IEC 62305 parts 1-4 and VDE 0855-300, and thereby fulfils the requirements of lightning protection class II. Grounding cross-section: 22 mm² copper.

Outline drawing



type / Typ: K862748	part no. / Teile-Nr.: PRO-00397425	A
description / Beschreibung: Antenna	drawing no. / Zeichnungsnummer: DOU-00397425	release: A
alternative ID:		



SENCITY® SC Omni VPol Omni 380-400, 7.5dBi
K862748

HUBER+SUHNER is certified by ISO 9001, ISO 14001, ISO 45001, IATF 16949, AS/EN 9100 and ISO/TS 22163-IRIS. Waiver: Facts and figures herein are for information only and do not represent any warranty of any kind.
DOCUMENT PIM-P1022 / Date of publication: 31.10.2023 / uncontrolled copy