

SENCITY® Omni-S Slim 3x3 Wi-Fi MIMO

1399.99.0125

Properties

- Omnidirectional antenna for Wi-Fi 2.4 Ghz and Wi-Fi 5 GHz
- Gain of 6 dBi with Vertical Polarisation
- For indoor application
- IP65 rating
- SMA reverse male pigtail



Electrical bands		
	Band 1	Band 2
Frequency (MHz)	2400 MHz ... 2690 MHz	5150 MHz ... 5935 MHz
Impedance	50 Ω	50 Ω
VSWR	1.7	1.7
Gain (dBi)	5 dBi	6 dBi
Halfp Beamwidth vertical	65 dBi	65 dBi
Halfp Beamwidth horizontal	360 °	360 °
Isolation between Ports	20 dB	20 dB
Ambient Temperature	25 °C	25 °C
Composite Power max	40 W	30 W

Electrical remarks	
Remarks	Three cable pigtails with connector SMA reverse (male) directly attached to the antenna body

Ports			
Connector	SMA-reverse, plug (male)	SMA-reverse, plug (male)	SMA-reverse, plug (male)
Cable type	S_04262_D-09	S_04262_D-09	S_04262_D-09
Cable length	0.9 m	0.9 m	0.9 m
Polarization	vertical	vertical	vertical
DC grounded	Yes	Yes	Yes

SENCITY® Omni-S Slim 3x3 Wi-Fi MIMO

1399.99.0125

Connections			
Port number			
Band 1	✓	✓	✓
Band 2	✓	✓	✓

Mechanical data	
Weight	0.6 kg
Dimensions	32 mm x 282 mm x 92 mm (Height x Width x Depth)

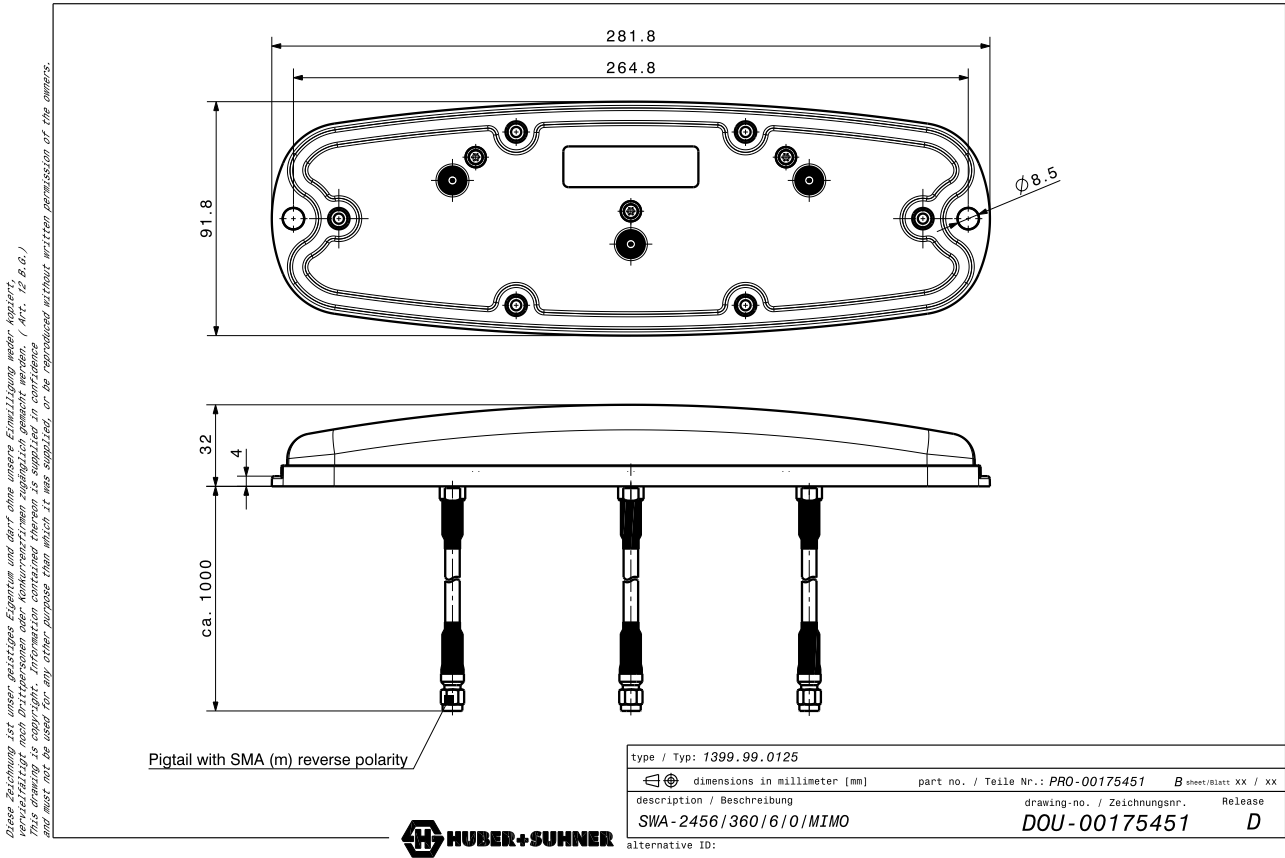
Material data	
Radome material	PC (Polycarbonate)
Radome colour	RAL 9010 (white)
Back plate/base plate material	Aluminium

Environmental data	
Operation temperature	-40 °C ... 85°C
Storage temperature	-40 °C ... 85°C
Transport temperature	-40 °C ... 85°C
Environment (application)	ETSI EN 300 019-2-3 V2.2.2 (2003-04) T3.3
Ingress protection (IP Rating)	IP65

Environmental remarks	
Vibration and mechanical shock: ETSI EN 300-19-2-3 T3.3 Flammability rating antenna radome: UL 94 V0 / RF pigtail cable: UL 1581 § 1080 (VW-1) UV protection antenna: UL746C f1 / RF pigtail cable: ISO 4892-2A	

SENCITY® Omni-S Slim 3x3 Wi-Fi MIMO

1399.99.0125

Outline drawing

HUBER+SUHNER is certified by ISO 9001, ISO 14001, ISO 45001, IATF 16949, AS/EN 9100 and ISO/TS 22163-IRIS. Waiver: Facts and figures herein are for information only and do not represent any warranty of any kind.
DOCUMENT PIM-P3212 / Date of publication: 31.10.2023 / uncontrolled copy