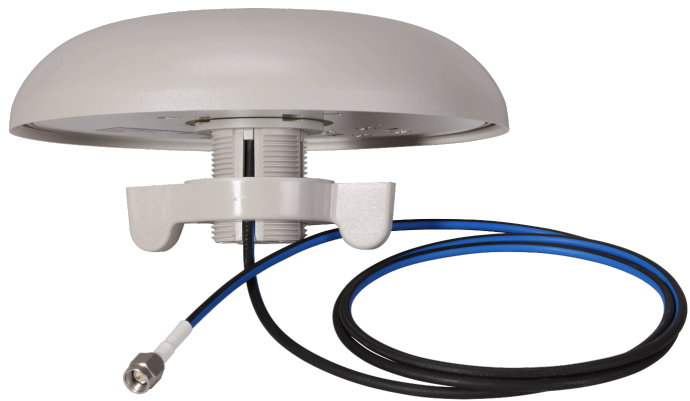


SENCITY® Omni-S Cellular SISO Antenna

1399.19.0224

Properties

- Supports LTE 790 to 960 MHz, Cellular 1710 to 2170 MHz and LTE 2300, 2500, 2600 MHz frequency bands
- Omni - directional Cellular/4G LTE 800 SISO antenna
- For both indoor and outdoor mounting with IP rating IP66, IP67 and IP69K
- Single hole mounting or wall/pole mounting
- Ingress protection IP66 / IP67 (IP69k)
- For outdoor and indoor applications



Electrical bands

	Band 1	Band 2	Band 3	Band 4
Frequency	790 MHz ... 930 MHz	930 MHz ... 960 MHz	1710 MHz ... 2170 MHz	2300 MHz ... 2690 MHz
VSWR	1.8	2.5	1.9	1.6
Impedance	50 Ω	50 Ω	50 Ω	50 Ω
Gain	2 dBi	2 dBi	6 dBi	4 dBi
Ambient Temperature	25 °C	25 °C	25 °C	25 °C
Composite Power max	60 W	60 W	50 W	40 W

Electrical remarks

Remarks

GROUND PLANE: Antenna works on metallic as well as on non-metallic ground plane. VSWR is valid for both mounting options
 GAIN VALUES: Indicated gain values are valid for non-metallic ground plane. Gain of this antenna on metallic surface is higher for 790 to 960 MHz: 4 dBi (instead of 2 dBi)

Ports

	Port 1
Connector	SMA, plug (male)
Cable type	ENVIROFLEX_316_D
Cable length	1 m
Polarization	vertical

SENCITY® Omni-S Cellular SISO Antenna

1399.19.0224

Ports	
	Port 1
DC grounded	No

Connections	
Port number	Port 1
Band 1	✓
Band 2	✓
Band 3	✓
Band 4	✓

Mechanical data	
Weight	0.3 kg
Dimensions	33.2 mm x 145 mm (Height x Diameter)

Interface and material data	
Radome material	PC (Polycarbonate)
Radome colour	RAL 7044 (grey)

Environmental data	
Operation temperature	-55 °C ... 85 °C
Storage temperature	-55 °C ... 85 °C
Transport temperature	-55 °C ... 85 °C
Environment (application)	Indoor/Outdoor
Ingress protection (IP Rating)	Mated / IP 66 / IP 67
Flammability rating	UL 94-V0

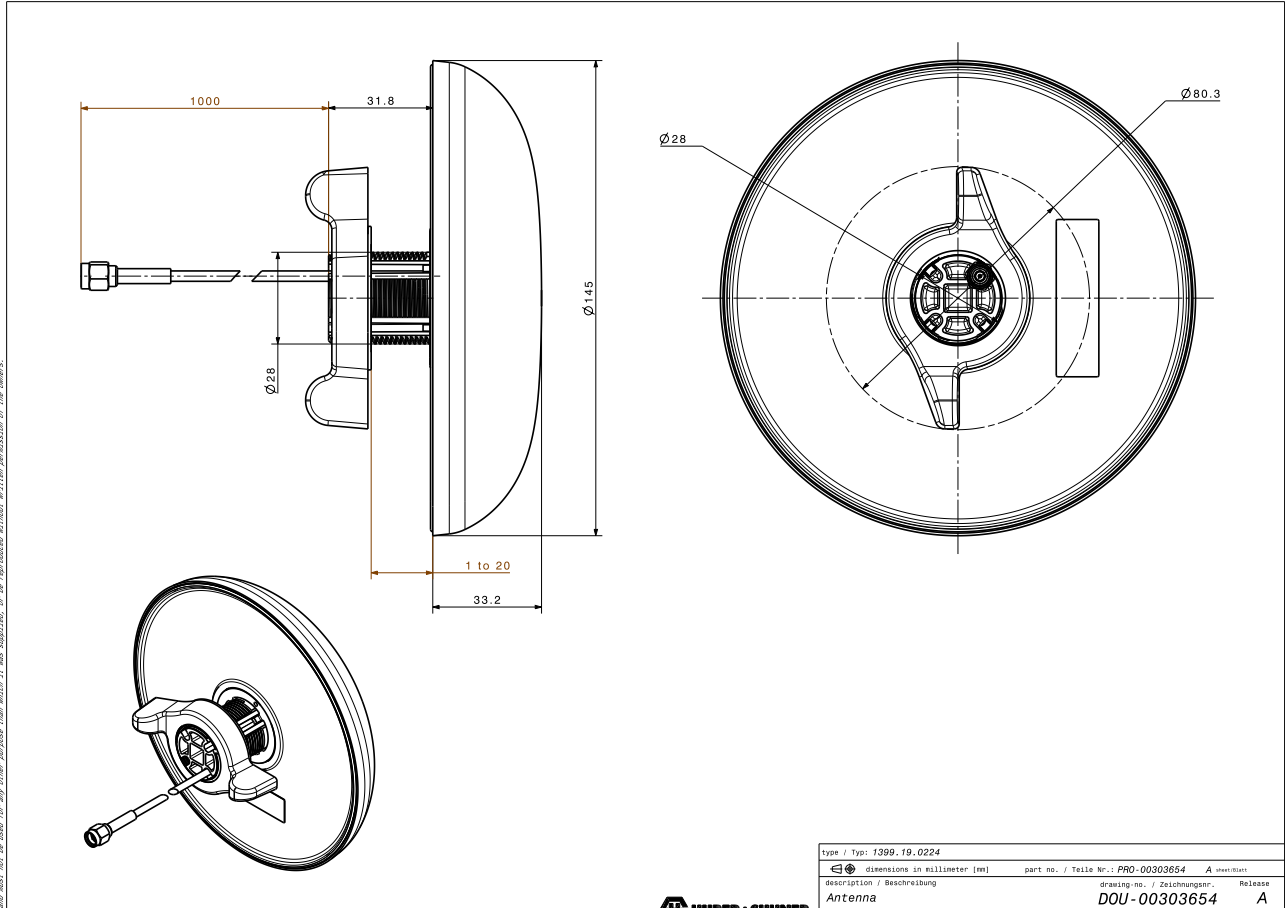
Environmental remarks
<p>INGRESS PROTECTION:</p> <ul style="list-style-type: none"> - IP 66, IP67 AND IP 69K when mounted on cabinet's flat surface or roof - IP 66 and IP67 when mounted on bracket with sealed cable conduit <p>TEMPERATURE RANGE: EN 60068-2-1 (2007), test Ab, -55°C, 16h and EN-60068-2-2 (2007), test Bb, +85°C, 16h</p> <p>THERMAL SHOCK: IEC 60068-2-14 (2009), test Na, -55°C to +85°C, 3h, 5 cycles</p> <p>SOLAR RADIATION: EN 60068-2-5, test Sa, procedure B, 1200 W/m2, 3 x 24h</p> <p>RELATIVE HUMIDITY: EN 60068-2-78 (2012), test Cb, RH 95%, 21d (damp heat, steady state)</p> <p>RELATIVE HUMIDITY: EN 60068-2-30 (2005), RH 97%, 6 cycles (damp heat, cyclic)</p> <p>SALT SPRAY: EN 60068-2-11 (2002), test Ka, 96h</p> <p>MECHANICAL VIBRATION / SHOCK: IEC 61373 (1999), § 9 and § 10, category 2</p> <p>VANDALISM: EN 60068-2-75 (1997), IEC 62262 (2002) IK10, test Ehc</p> <p>CORROSION: MIL-F-14072 E type 1 "exposed"</p>

Additional Information
<p>This product can be customized alternatively in the following way: - Cable length from 300 to 5000 mm - Choice of RF connector (SMA, R-SMA, QMA, TNC, R-TNC, N) - Customer specific port labeling on pigtails - Further wireless bands, e.g. dual-band WiFi MIMO or Cellular/LTE SISO with GNSS</p>

SENCITY® Omni-S Cellular SISO Antenna

1399.19.0224

Outline drawing



Diese Zeichnung ist unser geistiges Eigentum und darf ohne unsere Genehmigung weder kopiert, reproduziert noch in irgendeiner Weise weiterverbreitet werden. Art. 12 Abs. 1 DSGVO.
 This drawing is our intellectual property and may not be reproduced without permission of the owner.



HUBER+SUHNER is certified by ISO 9001, ISO 14001, ISO 45001, IATF 16949, AS/EN 9100 and ISO/TS 22163-IRIS. Waiver: Facts and figures herein are for information only and do not represent any warranty of any kind. DOCUMENT PIM-P3241 / Date of publication: 12.06.2024 / uncontrolled copy