

SENCITY® Omni-S Dome

1399.19.0024

Properties

- Compact omnidirectional antenna for Wi-Fi and Cellular bands between 2400 MHz and 6000 MHz
- Gain of 4 dBi with Vertical polarisation
- For indoor application
- 9091.99.0221 Omni Antenna Ceiling Bracket
- 9091.99.0221 Omni Antenna Ceiling Bracket



Electrical bands			
	Band 1	Band 2	Band 3
Frequency (MHz)	2400 MHz ... 2500 MHz	2500 MHz ... 4900 MHz	4900 MHz ... 6000 MHz
Impedance	50 Ω	50 Ω	50 Ω
VSWR	1.6	1.5	1.5
Gain (dBi)	4 dBi	4 dBi	7.5 dBi
Halfp Beamwidth horizontal	360 °	360 °	360 °
Ambient Temperature	25 °C	25 °C	25 °C
Composite Power max	160 W	120 W	120 W

Ports	
Connector	SMA, jack (female)
Polarization	vertical
DC grounded	No

Connections	
Port number	

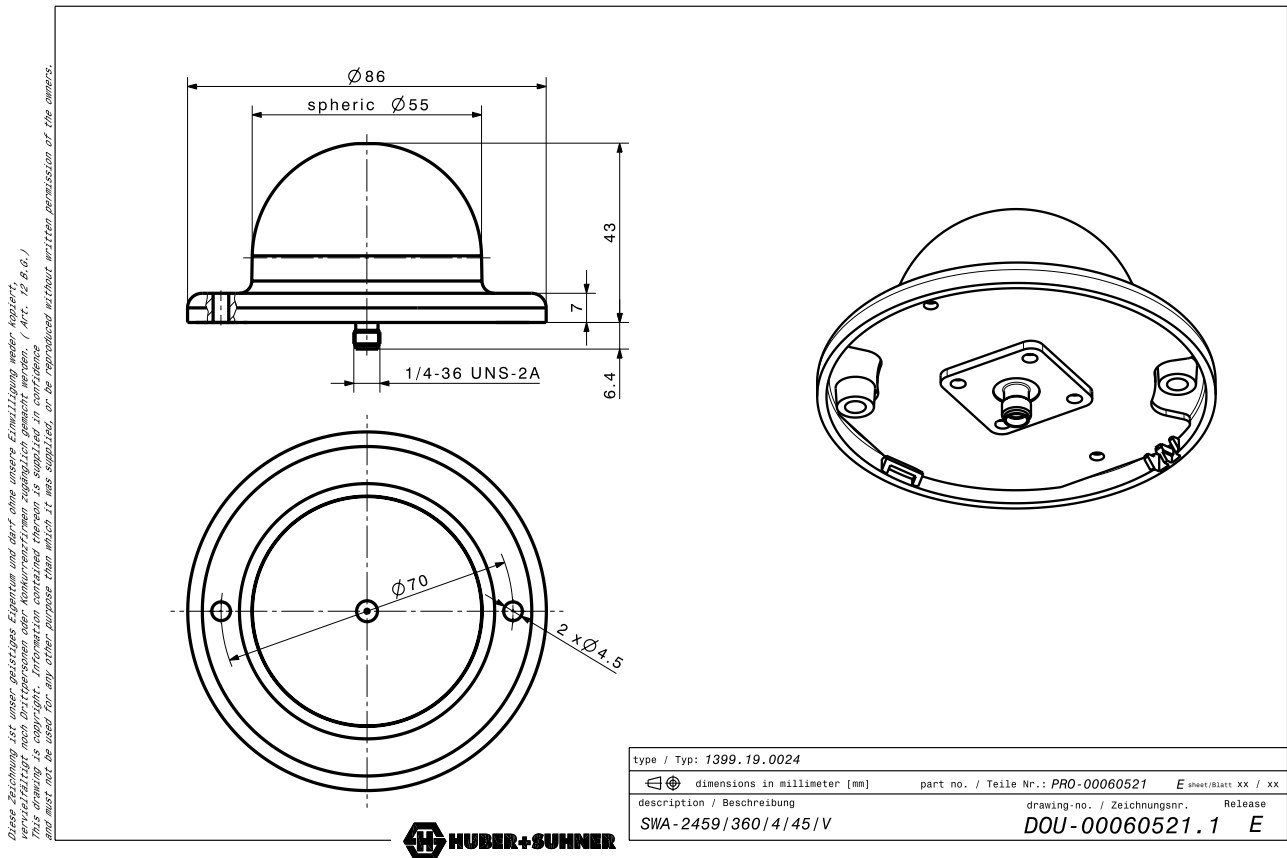
Mechanical data	
Weight	0.3 kg
Dimensions	43 mm x 86 mm (Height x Diameter)

SENCITY® Omni-S Dome

1399.19.0024

Material data	
Radome material	ASA (acrylic ester-styrene-acrylonitrile)
Radome colour	RAL 7035 (light-grey)
Back plate/base plate material	Aluminium

Environmental data	
Operation temperature	-40 °C ... 80°C
Storage temperature	-40 °C ... 80°C
Transport temperature	-40 °C ... 80°C
Environment (application)	Indoor

Outline drawing

HUBER+SUHNER is certified by ISO 9001, ISO 14001, ISO 45001, IATF 16949, AS/EN 9100 and ISO/TS 22163-IRIS. Waiver: Facts and figures herein are for information only and do not represent any warranty of any kind. DOCUMENT PIM-P3243 / Date of publication: 31.10.2023 / uncontrolled copy