

SENCITY® Urban 200I MIMO 2x2 antenna

1399.17.0250

Properties

- Directional antenna for Cellular bands between 1695 MHz and 4200 MHz
- Gain of 5 dBi with dual slant +/-45° polarisation
- Half power beamwidth of 100° (vertical) and 110° (Horizontal)
- Wall bracket is included. Pole bracket is sold as separate item (9091.99.0274)
- N female connector



Electrical bands				
	Band 1	Band 2	Band 3	Band 4
Frequency (MHz)	1695 MHz ... 1920 MHz	1920 MHz ... 2180 MHz	2300 MHz ... 2690 MHz	3300 MHz ... 3800 MHz
Impedance	50 Ω	50 Ω	50 Ω	50 Ω
VSWR	2	2	2	2
Gain (dBi)	5.7 dBi	4.8 dBi	5 dBi	5.9 dBi
Halfp Beamwidth vertical	105 dBi	120 dBi	95 dBi	65 dBi
Halfp Beamwidth horizontal	100 °	120 °	100 °	110 °
Isolation between Ports	20 dB	20 dB	18 dB	20 dB
Front to back ratio	11 dB	11 dB	11 dB	15 dB
Ambient Temperature	25 °C	25 °C	25 °C	25 °C
Composite Power max	125 W	125 W	110 W	95 W
Co/Crosspolar Ratio	27 dB	22 dB	14 dB	15 dB

	Band 5
Frequency (MHz)	3800 MHz ... 4200 MHz
Impedance	50 Ω
VSWR	2
Gain (dBi)	4.9 dBi
Halfp Beamwidth vertical	85 dBi
Halfp Beamwidth horizontal	120 °
Isolation between Ports	20 dB
Front to back ratio	12 dB
Ambient Temperature	25 °C
Composite Power max	90 W

SENCITY® Urban 200I MIMO 2x2 antenna

1399.17.0250

Band 5	
Co/Crosspolar Ratio	19 dB

Electrical remarks

Remarks	In the frequency range 4-4.2GHz Isolation better than 17dB
---------	--

Ports

Port name	Port 1	Port 2
Connector	N, jack (female)	N, jack (female)
Polarization	+45C° slant	-45C° slant
DC grounded	No	No

Connections

Port number		
Band 1	<input checked="" type="checkbox"/>	<input checked="" type="checkbox"/>
Band 2	<input checked="" type="checkbox"/>	<input checked="" type="checkbox"/>
Band 3	<input checked="" type="checkbox"/>	<input checked="" type="checkbox"/>
Band 4	<input checked="" type="checkbox"/>	<input checked="" type="checkbox"/>
Band 5	<input checked="" type="checkbox"/>	<input checked="" type="checkbox"/>

Mechanical data

Weight	0.5 kg
Dimensions	184.8 mm x 164.6 mm x 84.2 mm (Height x Width x Depth)

Material data

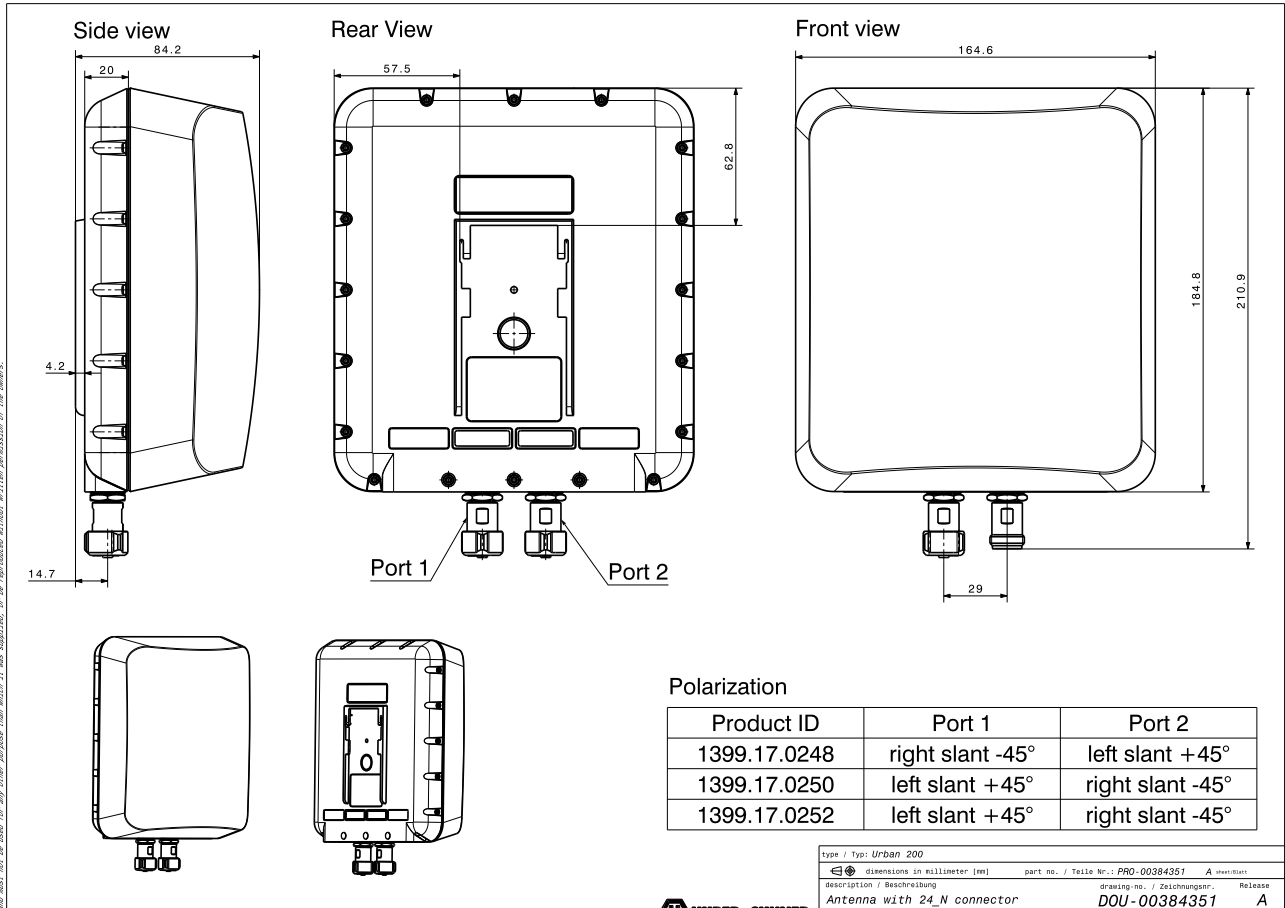
Radome material	PC (Polycarbonate)
Radome colour	RAL 7035 (light-grey)

Environmental data

Operation temperature	-40 °C ... 70°C
Storage temperature	-40 °C ... 70°C
Transport temperature	-40 °C ... 70°C
Environment (application)	Indoor/Outdoor
Ingress protection (IP Rating)	IP66
Flammability rating	UL 94-V0

SENCITY® Urban 200I MIMO 2x2 antenna
1399.17.0250

Outline drawing



HUBER+SUHNER is certified by ISO 9001, ISO 14001, ISO 45001, IATF 16949, AS/EN 9100 and ISO/TS 22163-IRIS. Waiver: Facts and figures herein are for information only and do not represent any warranty of any kind. DOCUMENT PIM-P3249 / Date of publication: 31.10.2023 / uncontrolled copy