

SENCITY® Omni-SR Dome Antenna

1399.17.0111

Properties

- Compact Omnidirectional outdoor antenna for Wi-Fi 6E bands (2.4 GHz / 5GHz / 6 GHz) & industrial 5G (3.5 GHz)
- Rugged design, meets EN 50155 Railway Standard and IP68 rating
- Fire retardant according to EN 45545-2 and NFPA130
- Protection against lightning
- Integrated N female interface



Electrical bands				
	Band 1	Band 2	Band 3	Band 4
Frequency (MHz)	2400 MHz ... 2500 MHz	2500 MHz ... 2700 MHz	3400 MHz ... 3800 MHz	4900 MHz ... 5925 MHz
Impedance	50 Ω	50 Ω	50 Ω	50 Ω
VSWR	1.8	2	2	1.8
Gain (dBi)	6 dBi	6 dBi	6 dBi	8 dBi
Ambient Temperature	25 °C	25 °C	25 °C	25 °C
Composite Power max	350 W	350 W	300 W	300 W

	Band 5
Frequency (MHz)	5925 MHz ... 7125 MHz
Impedance	50 Ω
VSWR	1.9
Gain (dBi)	8 dBi
Ambient Temperature	25 °C
Composite Power max	300 W

Electrical remarks	
Remarks	Gain measured using a 1m ground plane 10dB beamwidth horizontal: 360°

Ports	
	Port 1
Connector	N, jack (female)

SENCITY® Omni-SR Dome Antenna

1399.17.0111

Ports	
	Port 1
Polarization	vertical
DC grounded	Yes

Connections	
	Port 1
Port number	Port 1
Band 1	✓
Band 2	✓
Band 3	✓
Band 4	✓
Band 5	✓

Mechanical data	
Weight	0.3 kg
Dimensions	50.6 mm x 86 mm (Height x Diameter)
Windload	front: 10 N at 160 km/h

Material data	
Radome material	ASA (acrylic ester-styrene-acrylonitrile)
Radome colour	RAL 7043 (dark grey)
Back plate/base plate material	Stainless Steel

Environmental data	
Operation temperature	-40 °C ... 80°C
Storage temperature	-40 °C ... 80°C
Transport temperature	-40 °C ... 80°C
Environment (application)	Outdoor
Ingress protection (IP Rating)	IP68
Flammability rating	DIN 5510
Standards	Railway EN 45545

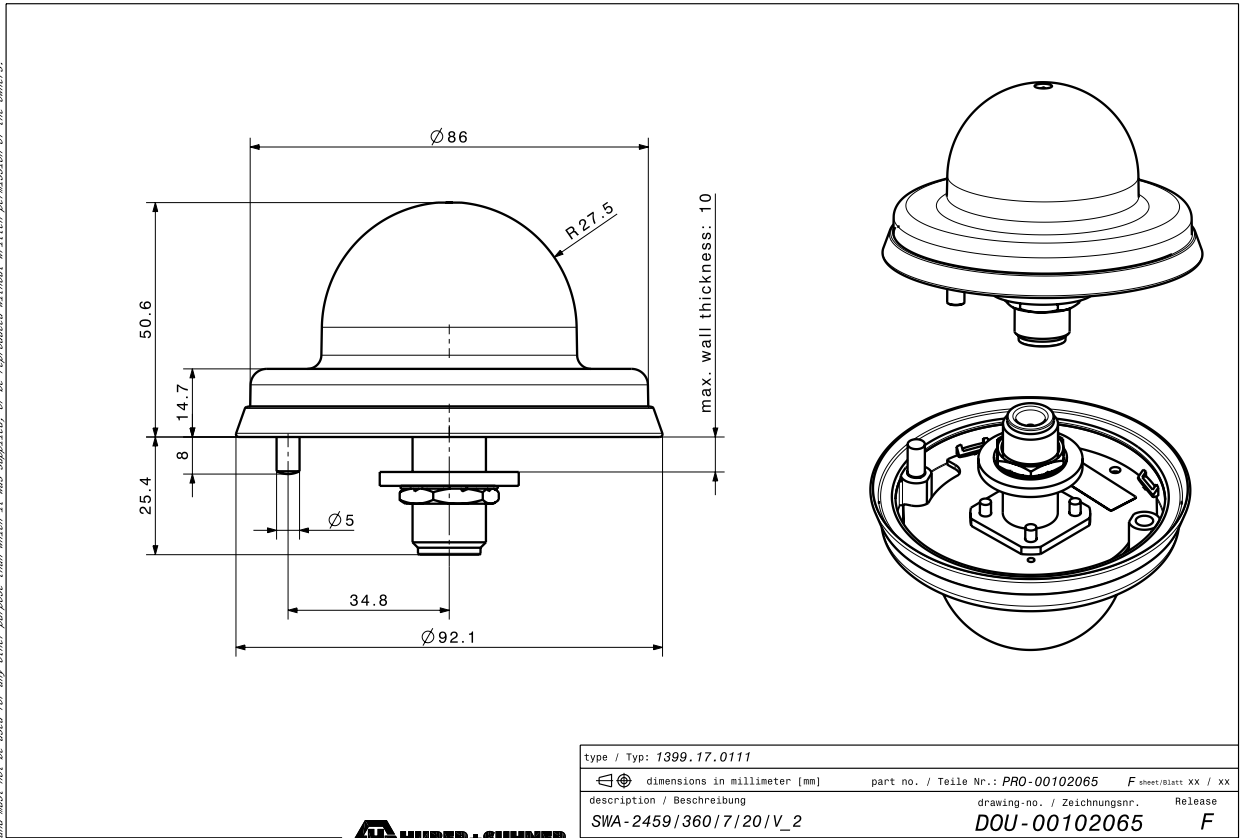
Environmental remarks	
Vibration test (24 hours) acc. to EN60068-2-64. Shock test (35g) acc. to EN60068-2-27. Flammability rating: DIN 5510-2, BS 6853, NF F16-101/102, EN 45545-2.	

Additional Information	
The antenna 1399.17.0108 can be mounted on a support with a thickness of up to 30mm (Antenna 1399.17.0111: 10mm). Please refer to the mounting instruction for installation details.	

SENCITY® Omni-SR Dome Antenna

1399.17.0111

Outline drawing



Diese Zeichnung ist unser geistiges Eigentum und darf ohne unsere Einwilligung weder kopiert, reproduziert, noch druckvervielfältigt oder in irgendeiner Weise veröffentlicht werden. (Art. 12 B.G.)
 This drawing is our intellectual property and may not be reproduced without written permission of the company.



HUBER+SUHNER is certified by ISO 9001, ISO 14001, ISO 45001, IATF 16949, AS/EN 9100 and ISO/TS 22163-IRIS. Waiver: Facts and figures herein are for information only and do not represent any warranty of any kind.
 DOCUMENT PIM-P3268 / Date of publication: 31.10.2023 / uncontrolled copy