

SENCITY® Spot-S SISO 2.4 GHz

1324.19.0057

Properties

- Compact Industrial antenna for Wi-Fi bands between 2400 and 2500 MHz
- Gain of 8.5 dBi with Vertical polarisation
- Half power beamwidth of 75° (vertical) and 75° (Horizontal)
- Wall and Mast mounting brackets included
- Integrated SMA female interface



Electrical bands	
	Band 1
Frequency (MHz)	2400 MHz ... 2500 MHz
Impedance	50 Ω
VSWR	1.5
Gain (dBi)	8.5 dBi
Halfp Beamwidth vertical	75 dBi
Halfp Beamwidth horizontal	75 °
Front to back ratio	12 dB
Ambient Temperature	25 °C
Composite Power max	30 W
Ports	
Connector	SMA, jack (female)
Polarization	vertical
DC grounded	Yes
Connections	
Port number	

SENCITY® Spot-S SISO 2.4 GHz

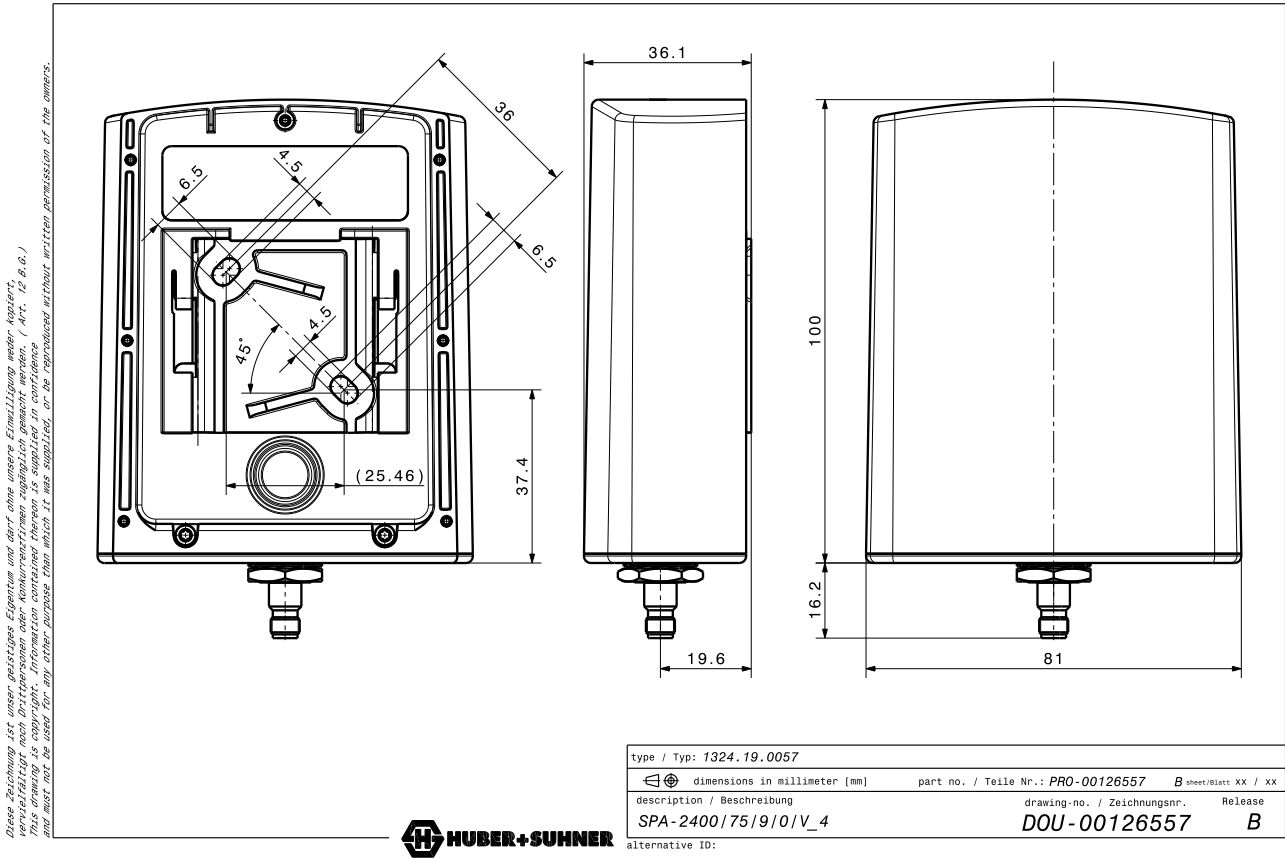
1324.19.0057

Mechanical data	
Weight	0.11 kg
Dimensions	101 mm x 81 mm x 36 mm (Height x Width x Depth)
Windload	front: 15 N at 160km/h, Wind Speed survival: 220 km/h
Material data	
Radome material	PC (Polycarbonate)
Radome colour	RAL 7044 (grey)
Environmental data	
Operation temperature	-40 °C ... 85°C
Storage temperature	-40 °C ... 85°C
Transport temperature	-40 °C ... 85°C
Environment (application)	Indoor/Outdoor
Flammability rating	EN 45545-2
Standards	Railway EN 50155
	Railway EN 45545
	Railway NFPA130
	Industrie EN 60068
Environmental remarks	
<p>FLAMMABILITY: EN 45545-2 (2013) HL3 and NFPA130 (2013), also BS 6853 and DIN 5510-2 ENVIRONMENT: Meets EN 50155 (2016) and EN 60068 related tests IP RATING: IP 66 / IP 67 (IEC 60529) SOLAR RADIATION: EN 50125-3:2004 §4.9, 1120 W/m² for 20h AIR PRESSURE: EN 50125-3:2004 §4.2, Altitude Class A1 (up to 1400m) AIR PULE PRESSURE: EN 50125-3:2004 §4.2, 1 kPa/s RAIN: EN 50125-3:2004 §4.6, delivery rate: 6 mm/min VIBRATION / SHOCK: EN 50125-3:2004 §4.13, position profile: "outside the track" POLLUTION: EN 50125-3:2004 §4.11, pollution levels: 4B1, 4S1 CORROSION: MIL-F-14072 E Type 1 "exposed" MECHANICAL IMPACT (HAMMER IMPACT): EN 60068-2-75 (IEC 62262/2002-02 IK06)</p>	
Additional Information	
<p>Following Declaration of Conformity for SENCITY Spot-S antennas are available on request: * Industrial standards EN 60068 / EN 60529 / IEC 61373: Ref. DOC-0000318049 * Railway rolling stock, environmental standards EN 50155 and fire behaviour EN 45545-2k, NFPA130: Ref. DOC-0000380375</p>	

SENCITY® Spot-S SISO 2.4 GHz

1324.19.0057

Outline drawing



HUBER+SUHNER is certified by ISO 9001, ISO 14001, ISO 45001, IATF 16949, AS/EN 9100 and ISO/TS 22163-IRIS. Waiver: Facts and figures herein are for information only and do not represent any warranty of any kind.
DOCUMENT PIM-P3301 / Date of publication: 31.10.2023 / uncontrolled copy