

**SENCITY® Spot-S MIMO 2x2, 2.4 GHz**

1324.19.0056

**Properties**

- Compact Industrial antenna for Wi-Fi bands between 2400 and 2485 MHz
- Gain of 8 dBi with with dual slant +/-45° polarisation
- Half power beamwidth of 70° (vertical) and 75° (Horizontal)
- Wall and Mast mounting brackets included
- Integrated SMA female interfaces

**Electrical bands**

	Band 1	
Frequency (MHz)	2400 MHz ... 2485 MHz	
Impedance	50 Ω	50 Ω
VSWR	1.5	
Gain (dBi)	8 dBi	
Halfp Beamwidth vertical	70 dBi	
Halfp Beamwidth horizontal	75 °	
Isolation between Ports	25 dB	
Front to back ratio	14 dB	
Ambient Temperature	25 °C	
Composite Power max	50 W	

**Ports**

Connector	SMA, jack (female)	SMA, jack (female)
Polarization	-45C° slant	+45C° slant

**Connections**

Port number		
Band 1	✓	✓

**SENCITY® Spot-S MIMO 2x2, 2.4 GHz**

1324.19.0056

<b>Mechanical data</b>	
Weight	0.11 kg
Dimensions	101 mm x 81 mm x 36 mm (Height x Width x Depth)
Windload	front: 15 N at 160km/h, Wind Speed survival: 220 km/h

<b>Material data</b>	
Radome material	PC (Polycarbonate)
Radome colour	RAL 7044 (grey)

<b>Environmental data</b>	
Operation temperature	-40 °C ... 85°C
Storage temperature	-40 °C ... 85°C
Transport temperature	-40 °C ... 85°C
Environment (application)	Indoor/Outdoor
Standards	Railway EN 50155
	Railway EN 45545
	Railway NFPA130
	Industrie EN 60068

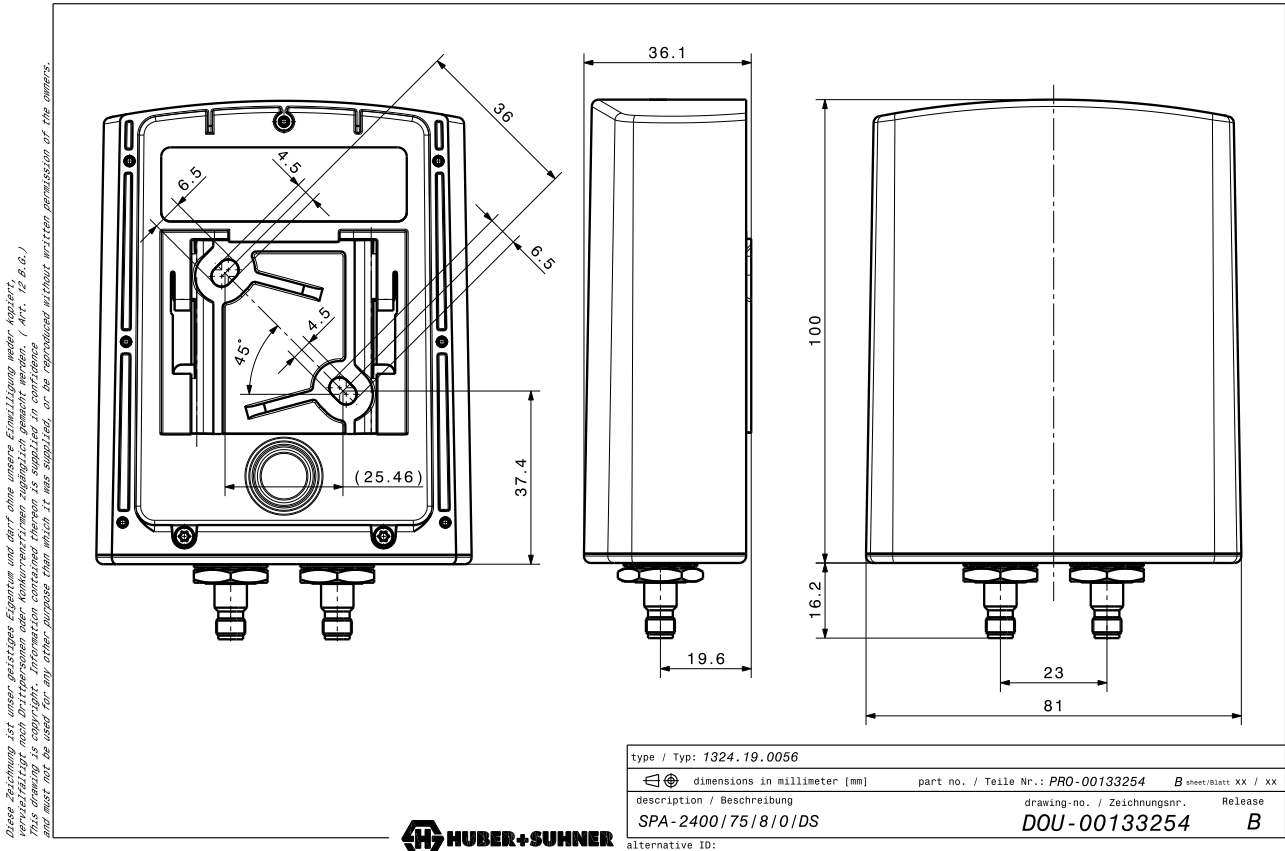
<b>Environmental remarks</b>	
<p>FLAMMABILITY: EN 45545-2 (2013) HL3 and NFPA130 (2013), also BS 6853 and DIN 5510-2 ENVIRONMENT: Meets EN 50155 (2016) and EN 60068 related tests IP RATING: IP 66 / IP 67 (IEC 60529) SOLAR RADIATION: EN 50125-3:2004 §4.9, 1120 W/m<sup>2</sup> for 20h AIR PRESSURE: EN 50125-3:2004 §4.2, Altitude Class A1 (up to 1400m) AIR PULSE PRESSURE: EN 50125-3:2004 §4.2, 1 kPa/s RAIN: EN 50125-3:2004 §4.6, delivery rate: 6 mm/min VIBRATION / SHOCK: EN 50125-3:2004 §4.13, position profile: "outside the track" POLLUTION: EN 50125-3:2004 §4.11, pollution levels: 4B1, 4S1 CORROSION: MIL-F-14072 E Type 1 "exposed" MECHANICAL IMPACT (HAMMER IMPACT): EN 60068-2-75 (IEC 62262/2002-02 IK06)</p>	

<b>Additional Information</b>	
<p>Following Declaration of Conformity for SENCITY Spot-S antennas are available on request: * Industrial standards EN 60068 / EN 60529 / IEC 61373: Ref. DOC-0000318049 * Railway rolling stock, environmental standards EN 50155 and fire behaviour EN 45545-2k, NFPA130: Ref. DOC-0000380375</p>	

## SENCITY® Spot-S MIMO 2x2, 2.4 GHz

1324.19.0056

### Outline drawing



**HUBER+SUHNER**

HUBER+SUHNER is certified by ISO 9001, ISO 14001, ISO 45001, IATF 16949, AS/EN 9100 and ISO/TS 22163-IRIS. Waiver: Facts and figures herein are for information only and do not represent any warranty of any kind.  
DOCUMENT PIM-P3302 / Date of publication: 31.10.2023 / uncontrolled copy