

SENCITY® Spot-S 8.5 dBi 2.4 GHz Antenna

1324.17.0098

Properties

- Compact Industrial antenna for Wi-Fi bands between 2400 and 2500 MHz
- Rugged design, meets EN 50155 and EN50125-3 Railway Standards
- Fire retardant according to EN 45545-2 and NFPA-130
- For both indoor and outdoor mounting with IP rating IP66 & IP67
- Gain of 8.5 dBi and half power beamwidth of 75° (vertical) and 75° (Horizontal)



Electrical bands	
	Band 1
Frequency (MHz)	2400 MHz ... 2500 MHz
Impedance	50 Ω
VSWR	1.5
Gain (dBi)	8.5 dBi
Halfp Beamwidth vertical	75 dBi
Halfp Beamwidth horizontal	75 °
Front to back ratio	12 dB
Ambient Temperature	25 °C
Composite Power max	30 W

Ports	
Connector	N, jack (female)
Polarization	vertical
DC grounded	Yes

Connections	
Port number	

SENCITY® Spot-S 8.5 dBi 2.4 GHz Antenna

1324.17.0098

Mechanical data	
Weight	0.11 kg
Dimensions	101 mm x 81 mm x 36 mm (Height x Width x Depth)
Windload	front: 15 N at 160km/h, Wind Speed survival: 220 km/h

Material data	
Radome material	PC (Polycarbonate)
Radome colour	RAL 7044 (grey)

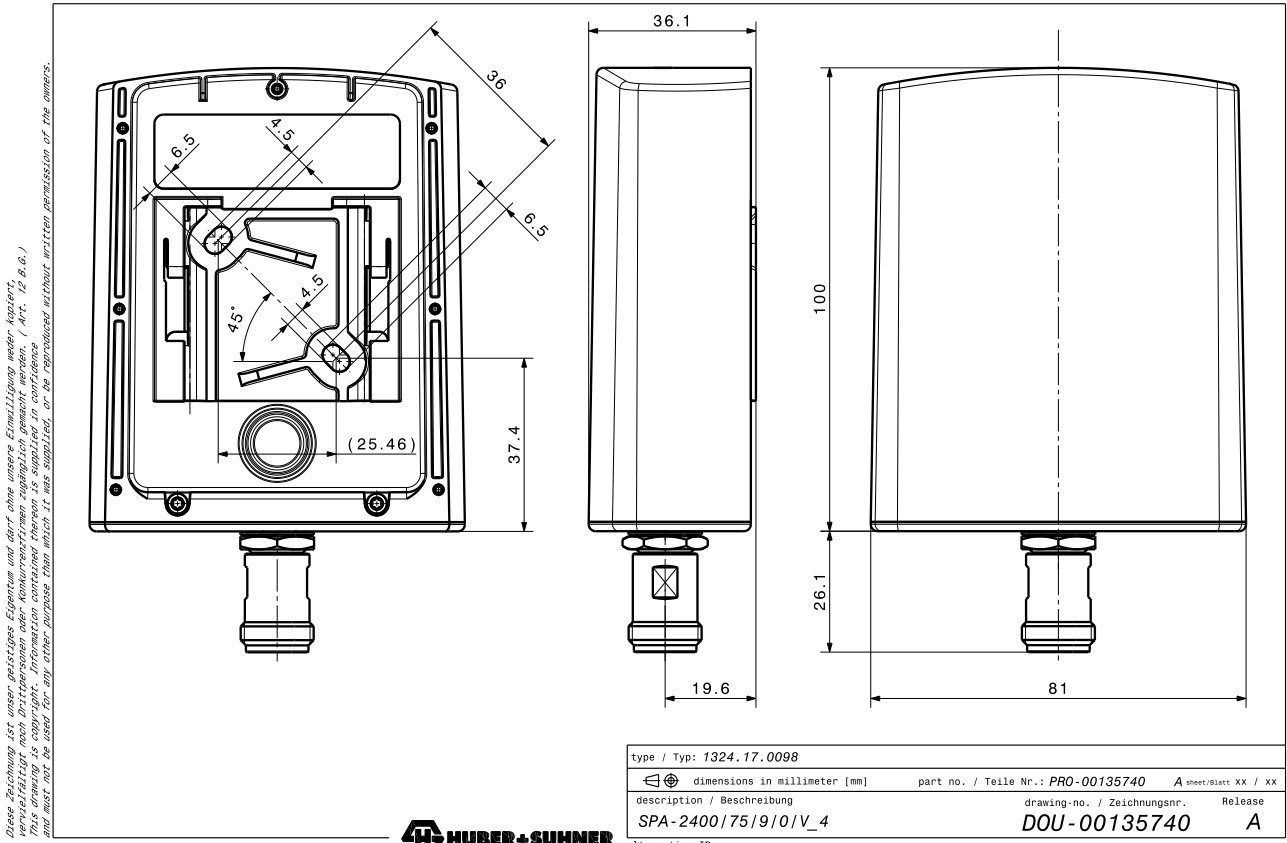
Environmental data	
Operation temperature	-40 °C ... 85°C
Storage temperature	-40 °C ... 85°C
Transport temperature	-40 °C ... 85°C
Environment (application)	Indoor/Outdoor
Flammability rating	EN 45545-2
Standards	Railway EN 50155
	Railway EN 45545
	Railway NFPA130
	Railway EN 50125
	Industrie EN 60068

Environmental remarks
FLAMMABILITY: EN 45545-2 (2013) HL3 and NFPA130 (2013), also BS 6853 and DIN 5510-2 ENVIRONMENT: EN 50155 (2016) and EN 50125-3 (2003), also EN 60068 related IP RATING: IP 66 / IP 67 (IEC 60529) SOLAR RADIATION: EN 50125-3:2004 §4.9, 1120 W/m ² for 20h AIR PRESSURE: EN 50125-3:2004 §4.2, Altitude Class A1 (up to 1400m) AIR PULSE PRESSURE: EN 50125-3:2004 §4.2, 1 kPa/s RAIN: EN 50125-3:2004 §4.6, delivery rate: 6 mm/min VIBRATION / SHOCK: EN 50125-3:2004 §4.13, position profile: "outside the track" POLLUTION: EN 50125-3:2004 §4.11, pollution levels: 4B1, 4S1 CORROSION: MIL-F-14072 E Type 1 "exposed" MECHANICAL IMPACT (HAMMER IMPACT): EN 60068-2-75 (IEC 62262/2002-02 IK06)

Additional Information
"Following Declaration of Conformity for SENCITY® Spot-S antennas are available on request: - Industrial standards EN 60068 / EN 60529 / IEC 61373, ref. DOC-0000318049 - Railway rolling stock, environmental standards EN 50155 and fire behaviour EN 45545-2; NFPA130; ref. DOC-0000380375 - Railway trackside, environmental standards EN 50125-3 and fire behaviour EN 45545-2; ref. DOC-0000411396"

SENCITY® Spot-S 8.5 dBi 2.4 GHz Antenna
1324.17.0098

Outline drawing



Diese Zeichnung ist unser geistiges Eigentum und darf ohne unsere Einwilligung weder kopiert, reproduziert, noch druckvervielfältigt oder in irgendeiner Weise veröffentlicht werden. (Art. 12 i. d. V. G.)
 This drawing is our intellectual property and may not be reproduced, copied, or otherwise published without our written permission.



HUBER+SUHNER is certified by ISO 9001, ISO 14001, ISO 45001, IATF 16949, AS/EN 9100 and ISO/TS 22163-IRIS. Waiver: Facts and figures herein are for information only and do not represent any warranty of any kind.
DOCUMENT PIM-P3308 / Date of publication: 31.10.2023 / uncontrolled copy