



VREuG9 300A (120V)

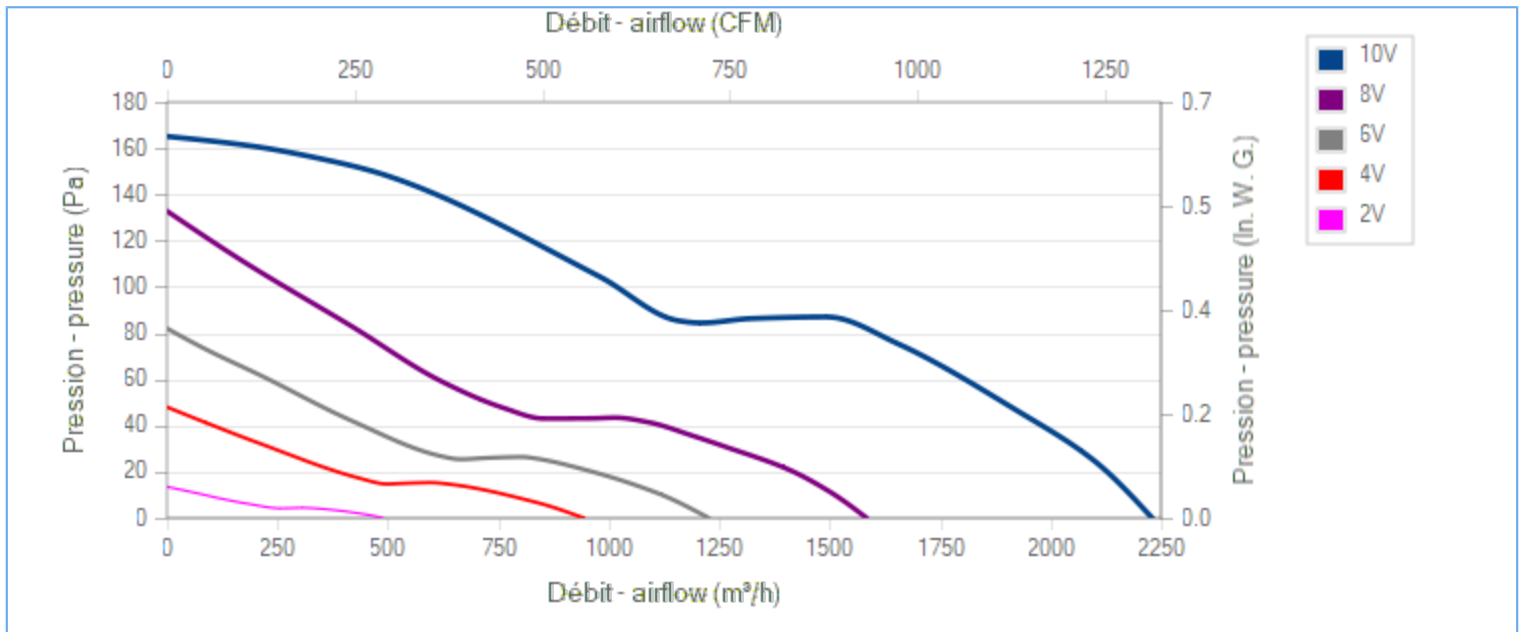
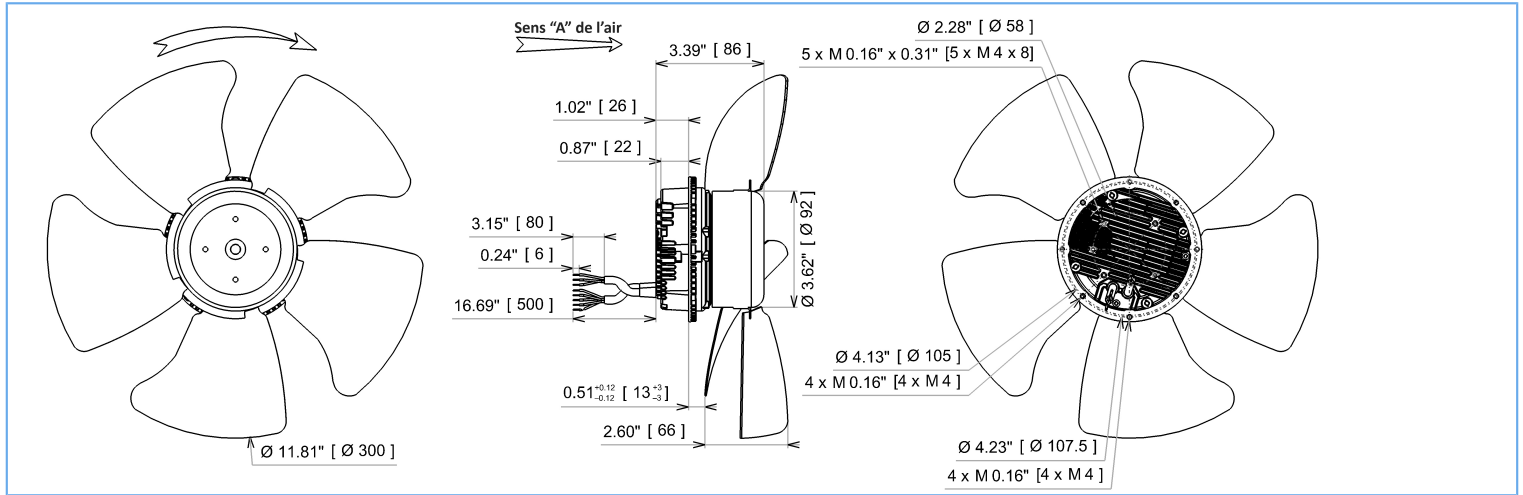
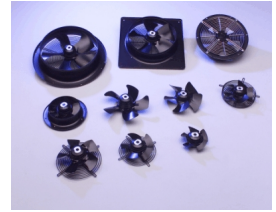
M44-A6-1



DATA SHEET

release. 0 - Revision 06-2019

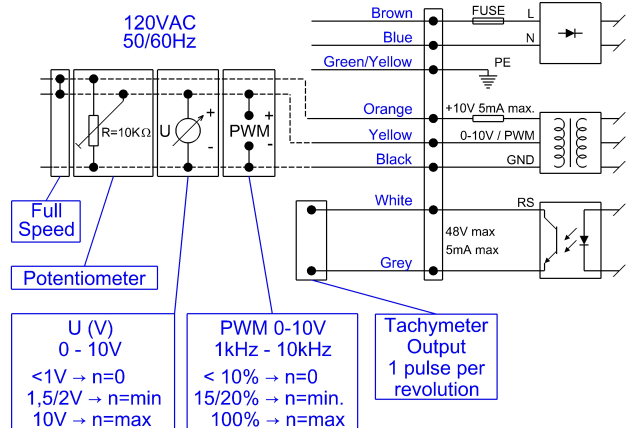
Voltage	Frequency	Input Power	Input Current	Airflow	Rotation speed	Direction rotation	Admissible Temperature	
V	Hz	W	A	m ³ /h	RPM		Min/Max	
120	50/60	82	1,13	2230	1640	R	-25°C / +60°C	
120	50/60	1312 CFM					-13°F / 140°F	
NA : not applicable				ErP 2013		NA	ErP 2015	NA



Tested with ECOFIT ring

Description

- .Weight : 1,9 Kg
- .Ball bearing
- .Insulation Class F
- .IP4x may be IP44 according to EN60034-5 after checking the integration into the customer appliance
- .G6.3 balancing
- .Rotor and impeller : black paint
- .Motor - UL Recognized component





VREuG9 300A (120V)

M44-A6-1



DATA SHEET

release. 0 - Revision 06-2019

Data in accordance to ErP directive

Voltage	120	V
Frequency	50	Hz
Power	0,110	kW ⁽¹⁾
Airflow	1494	m ³ /h ⁽¹⁾
Pressure	87	Pa ⁽¹⁾
Rotation speed	1638	RPM ⁽¹⁾
⁽¹⁾ at optimal efficiency point		

ErP directive (EU 2009/125/EC) not applicable :
Power at optimum energy efficiency point

Accessories

21522

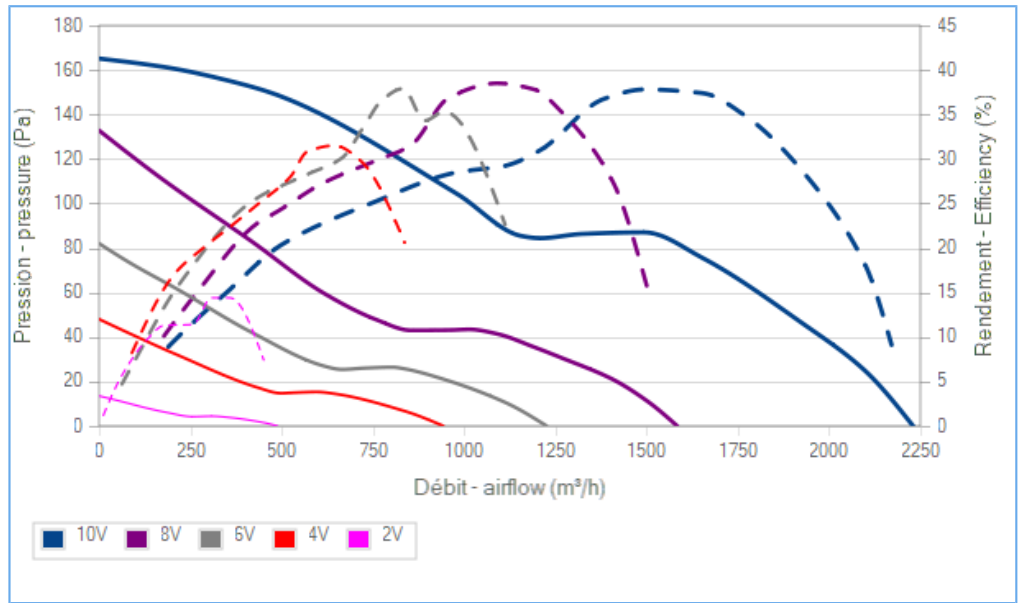
Measurement setup

16086 VIROLE V300 RONDE

Documents

Manuel d'utilisation
www.ecofit.com/site/normes

Operating and recycling manual
www.ecofit.com/anglais/normes



La courbe de rendement intègre le facteur de compensation de charge partielle du règlement (UE) n°327/2011
The efficiency curve includes part load compensation factor of regulation (EU) n°327/2011

UL1004-1, 2nd edition "rotating electrical machine"
UL1004-3, 1st edition "thermally protected motors"
UL1004-7, 2nd edition "electronically protected motors"
C22.2 N°100-04, 6th edition "motors and generator"
C22.2 N°77-95, 7th edition "motors with inherent overheating protection"
UL Motor Model : RT9191
File Number : E326930 XDNW2,8



Non contractual document. All specifications are subject to change without prior notice. Picture for information only.