



VPRuG9 250V

M43-C7-1



DATA SHEET

release. a - Revision 06-2017

Voltage	Frequency	Input Power	Input Current	Airflow	Rotation speed	Acoustic level	Direction rotation	Admissible Temperature
V	Hz	W	A	m ³ /h	RPM	dBA	↻	Min/Max
230	50/60	144	1,18	1960	2600	68	L	-20°C / +50°C
230	50/60				1153 CFM			
						-4°F / 122°F		

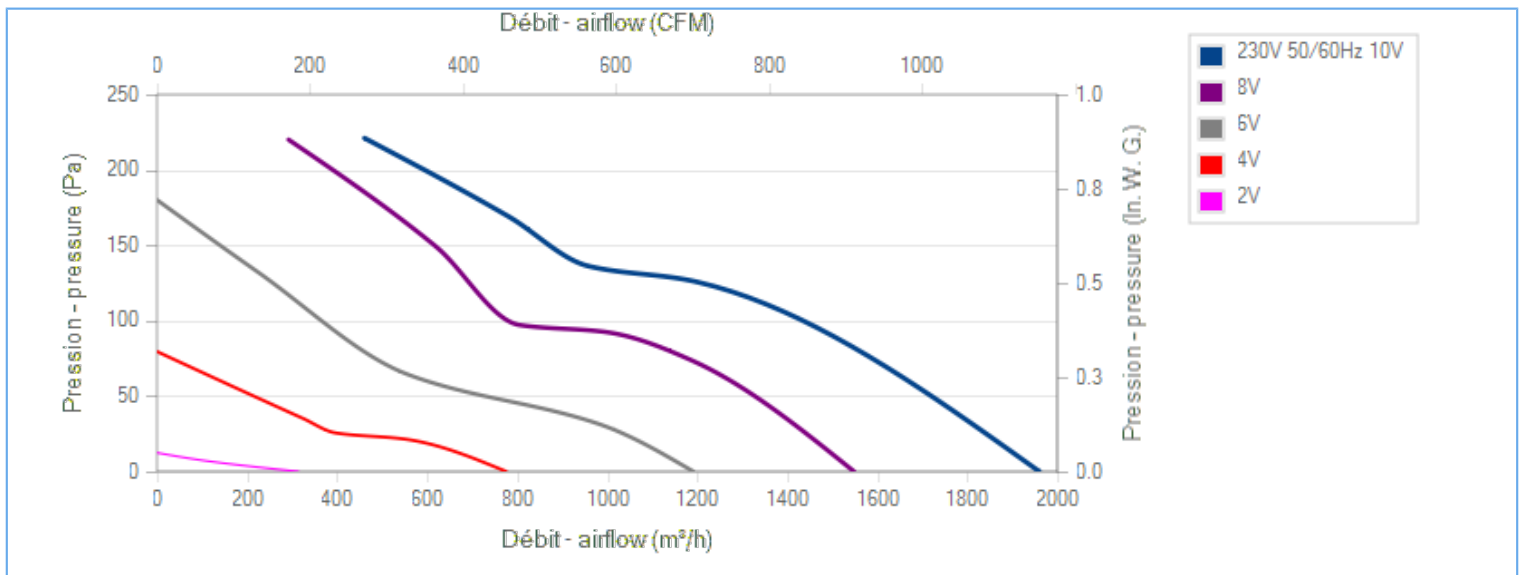
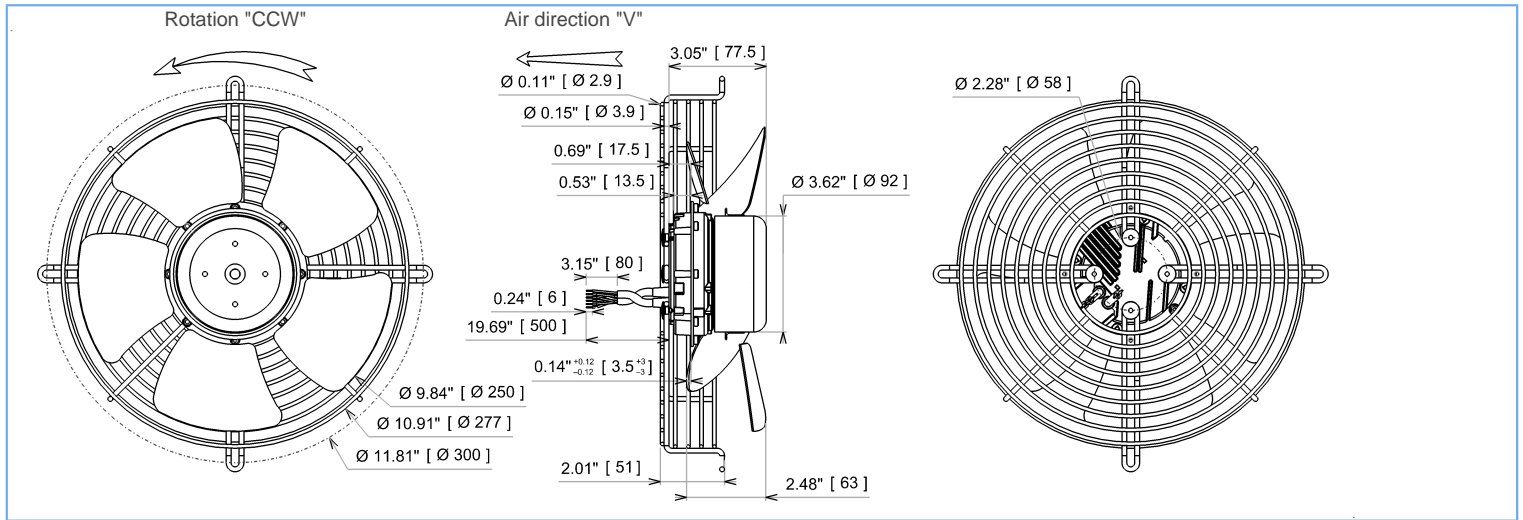
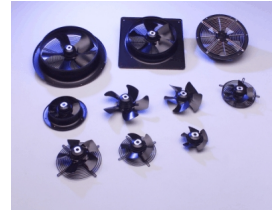
dBA : free blowing

ErP 2013

OK

ErP 2015

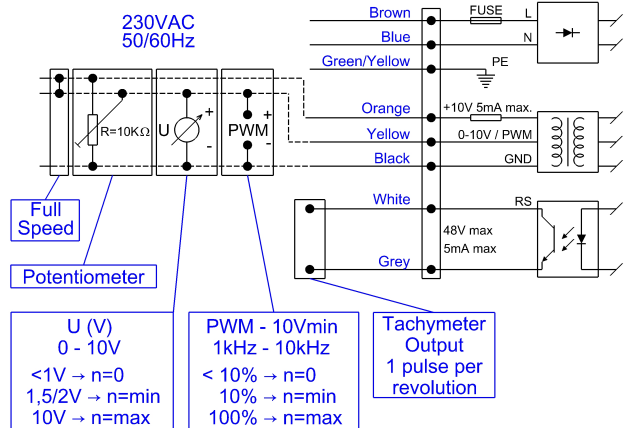
OK



Tested with ECOFIT ring

Description

- .Weight : 1,8 Kg
- .Ball bearing
- .Insulation Class F
- .IP4x may be IP44 according to EN60034-5 after checking the integration into the customer appliance
- .G6.3 balancing
- .Rotor and impeller : black paint
- .Basket finger guard : black paint
- .Motor - UL Recognized component





VPRuG9 250V

M43-C7-1



DATA SHEET

release. a - Revision 06-2017

Data in accordance to ErP directive

Voltage	230	V
Frequency	50	Hz
Power	0,150	kW ⁽¹⁾
Airflow	1199	m ³ /h ⁽¹⁾
Pressure	126	Pa ⁽¹⁾
Rotation speed	2418	RPM ⁽¹⁾

(1) at optimal efficiency point

	Actual	Request 2013	Request 2015
Overall efficiency (η)	32	24,5	28,5
Efficiency grade	44	36	40
Installation category	A		
Efficiency category	static		
Variable speed drive	Yes		
Specific ratio	1,00		

Designed for regular application according ErP directive EU 2009/125/EC

Accessories

Measurement setup

16085 VIROLE V250 RONDE

Documents

Manuel d'utilisation

www.ecofit.com/site/normes

Operating and recycling manual

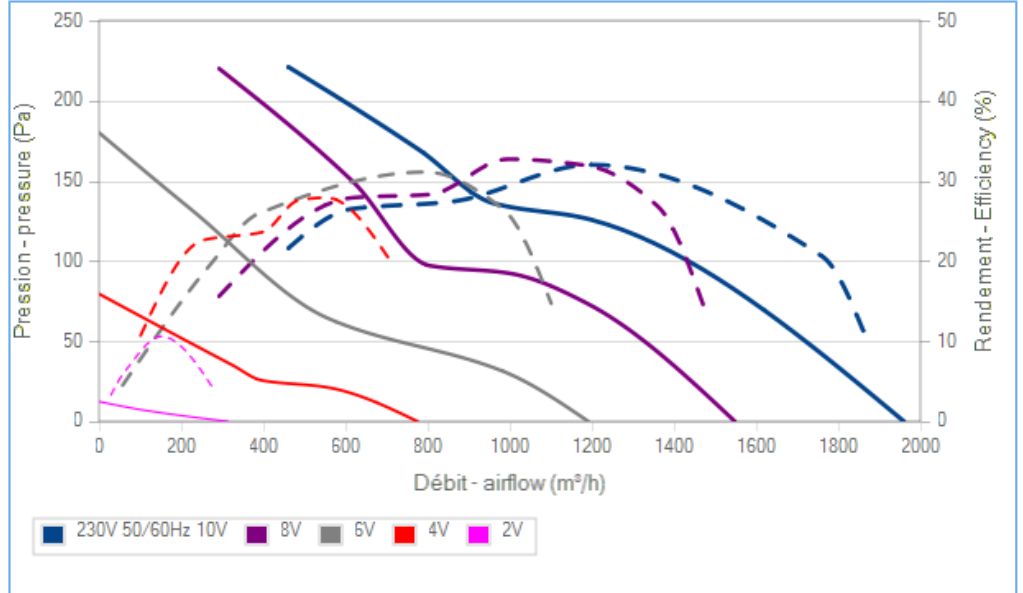
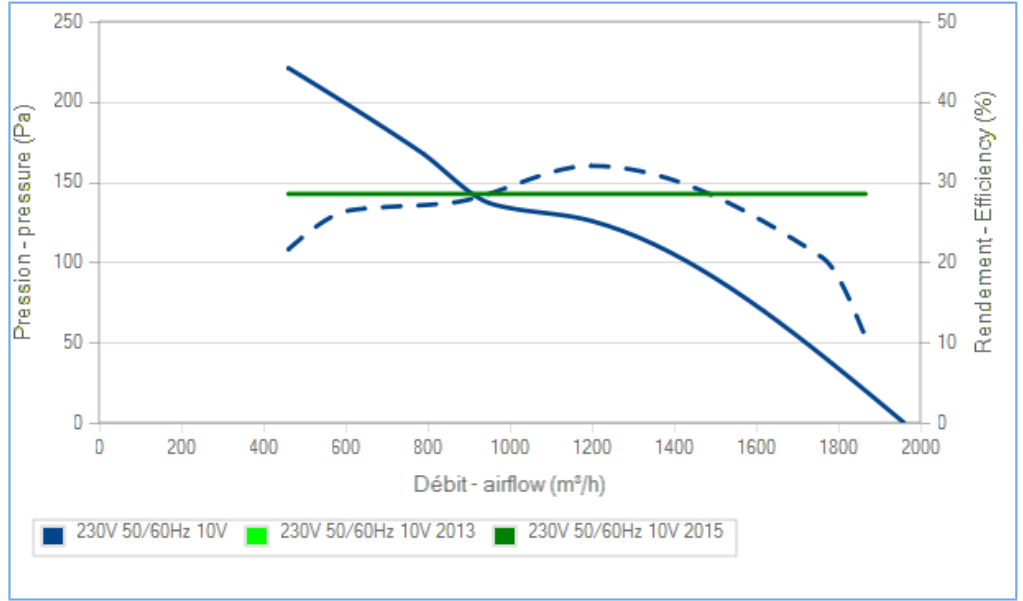
www.ecofit.com/anglais/normes



IEC 60335-2-80:2002 + A1:2004 +
IEC 60335-1:2010
EN 60335-2-80:2003 + A1:2004 + A2:2009 +
EN 60335-1:2012
RT9192CE



UL1004-1, 2nd edition "rotating electrical machine"
UL1004-3, 1st edition "thermally protected motors"
UL1004-7, 2nd edition "electronically protected motors"
C22.2 N°100-04, 6th edition "motors and generator"
C22.2 N°77-95, 7th edition "motors with inherent overheating protection"
UL Motor Model : RT9192
File Number : E326930 XDNW2,8



La courbe de rendement intègre le facteur de compensation de charge partielle du règlement (UE) n°327/2011
The efficiency curve includes part load compensation factor of regulation (EU) n°327/2011

Non contractual document. All specifications are subject to change without prior notice. Picture for information only.