



VG VuG9 300A (120V)

M44-D4-1

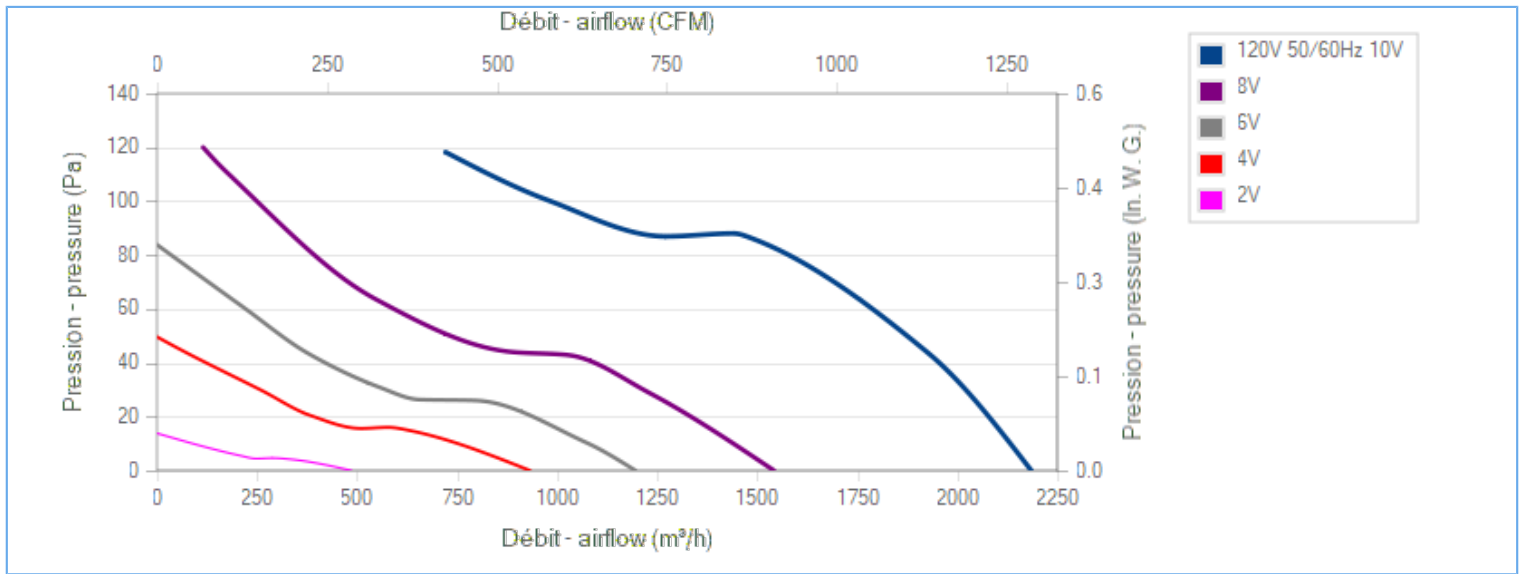
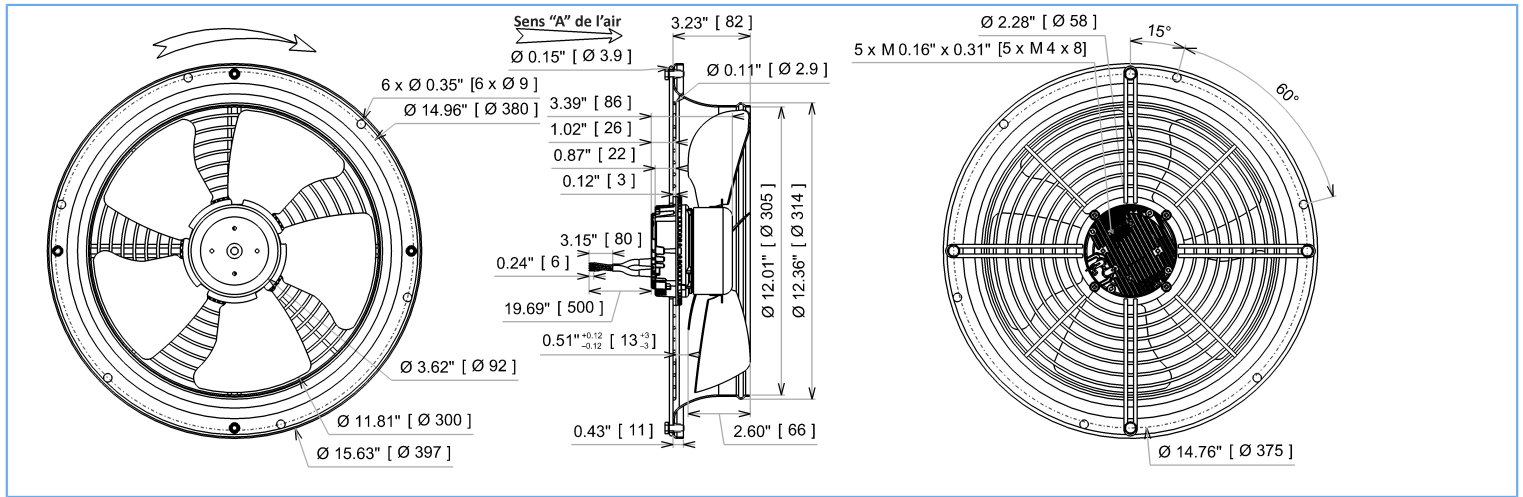


DATA SHEET

release. 0 - Revision 05-2019

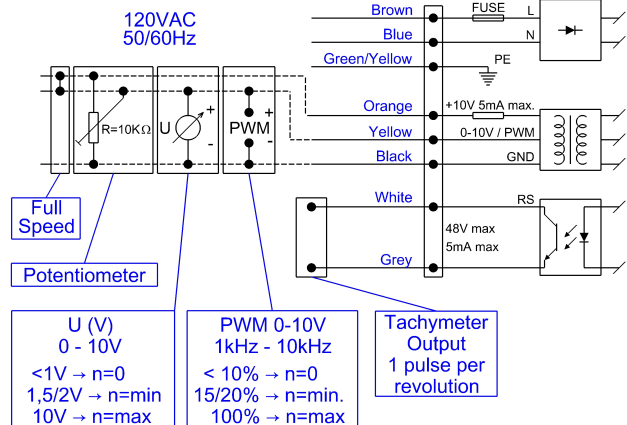
Voltage	Frequency	Input Power	Input Current	Airflow	Rotation speed	Direction rotation	Admissible Temperature
V	Hz	W	A	m ³ /h	RPM		Min/Max
120	50/60	91	1,24	2185	1650	R	-25°C / +60°C
120	50/60	1286 CFM					-13°F / 140°F

NA : not applicable ErP 2013 **NA** ErP 2015 **NA**



Description

- .Weight : 2,3 Kg
- .Ball bearing
- .Insulation Class F
- .IP4x may be IP44 according to EN60034-5 after checking the integration into the customer appliance
- .G6.3 balancing
- .Rotor and impeller : black paint
- .Finger guard and ring : black paint





VG VuG9 300A (120V)

M44-D4-1



DATA SHEET

release. 0 - Revision 05-2019

Data in accordance to ErP directive

Voltage	120	V
Frequency	50	Hz
Power	0,115	kW ⁽¹⁾
Airflow	1481	m ³ /h ⁽¹⁾
Pressure	87	Pa ⁽¹⁾
Rotation speed	1651	RPM ⁽¹⁾

(1) at optimal efficiency point

ErP directive (EU 2009/125/EC) not applicable :
Power at optimum energy efficiency point

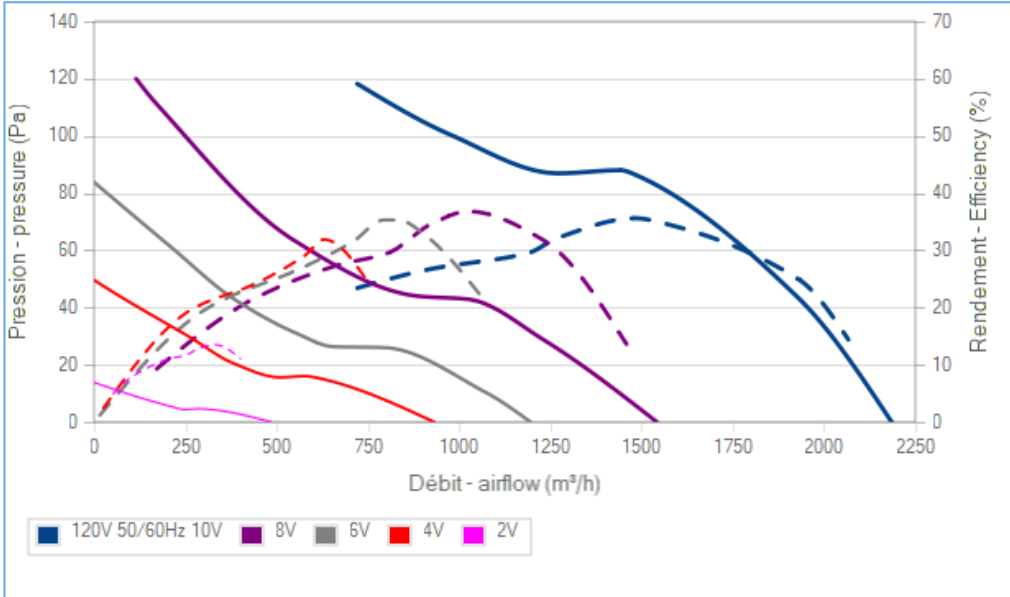
Accessories

Measurement setup

16086 VIROLE V300 RONDE

Documents

- Manuel d'utilisation
www.ecofit.com/site/normes
- Operating and recycling manual
www.ecofit.com/anglais/normes



La courbe de rendement intègre le facteur de compensation de charge partielle du règlement (UE) n°327/2011
The efficiency curve includes part load compensation factor of regulation (EU) n°327/2011

UL1004-1, 2nd edition "rotating electrical machine"
UL1004-3, 1st edition "thermally protected motors"
UL1004-7, 2nd edition "electronically protected motors"
C22.2 N°100-04, 6th edition "motors and generator"
C22.2 N°77-95, 7th edition "motors with inherent overheating protection"
UL Motor Model : RT9191
File Number : E326930 XDNW2.8



Non contractual document. All specifications are subject to change without prior notice. Picture for information only.