



RRMuG9 220x45R (120V) N50-A1-1

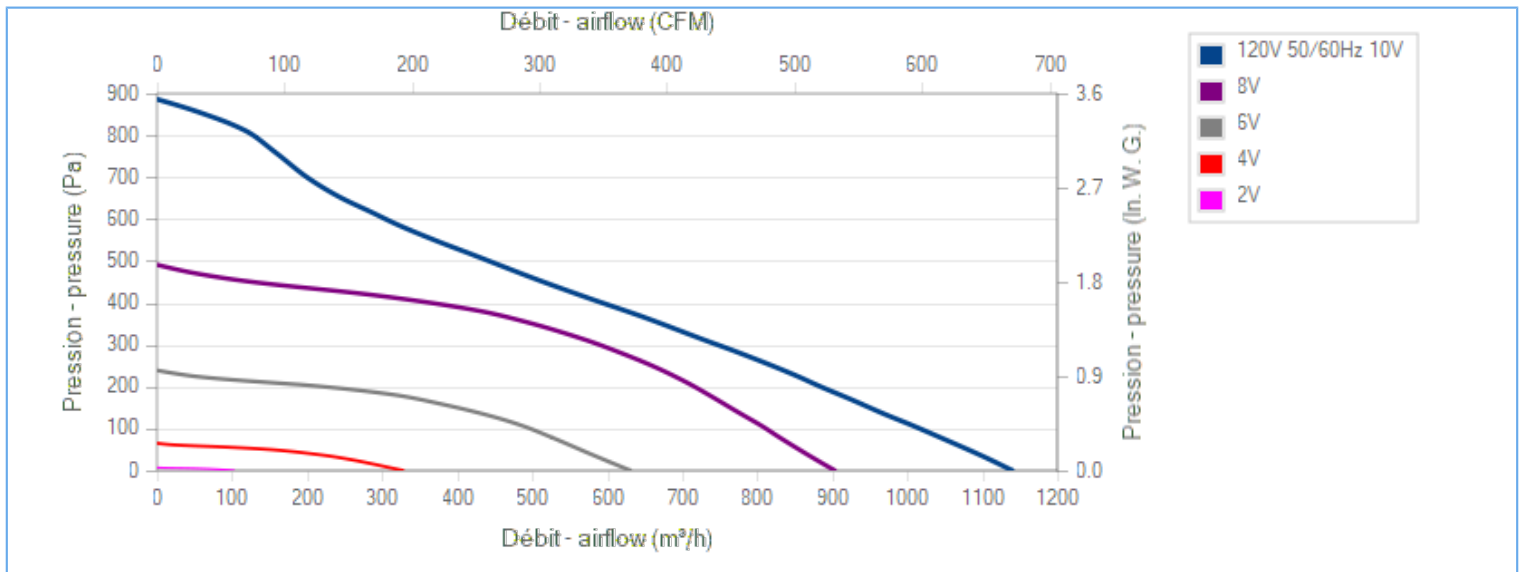
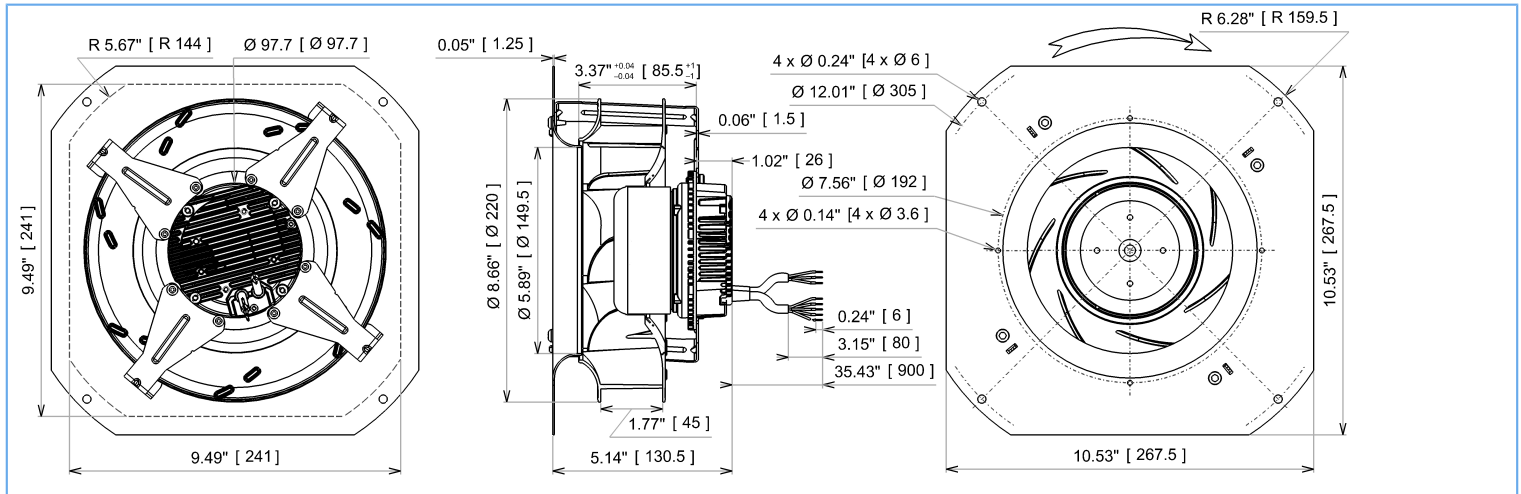
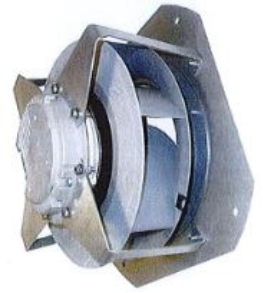


DATA SHEET

release. 0 - Revision 04-2019

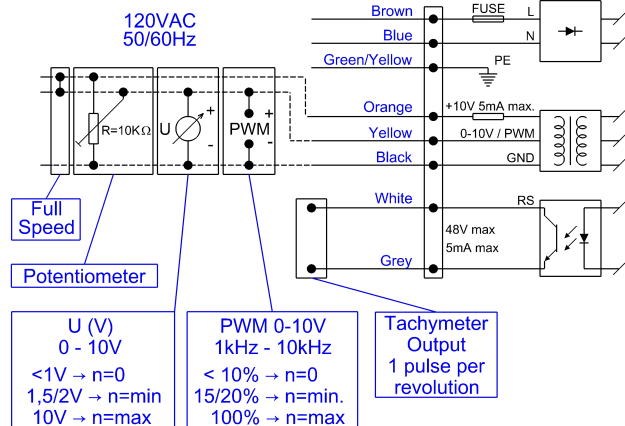
Voltage	Frequency	Input Power	Input Current	Airflow	Rotation speed	Direction rotation	Admissible Temperature
V	Hz	W	A	m ³ /h	RPM		Min/Max
120	50/60	150	1,96	1140	3605	R	-25°C / +60°C
120	50/60			671 CFM			-13°F / 140°F

ErP 2013 OK ErP 2015 OK



Description

- .Weight : 2,9 Kg
- .Ball bearing
- .Insulation Class F
- .IP4x may be IP44 according to EN60034-5 after checking the integration into the customer appliance
- .G2.5 balancing
- .Rotor : black paint
- .PA 6/6 UL 94 V-0 plastic impeller
- .Motor - UL Recognized component





RRMuG9 220x45R (120V) N50-A1-1



DATA SHEET

release. 0 - Revision 04-2019

Data in accordance to ErP directive

Voltage	120	V
Frequency	50	Hz
Power	0,150	kW ⁽¹⁾
Airflow	648	m ³ /h ⁽¹⁾
Pressure	367	Pa ⁽¹⁾
Rotation speed	3123	RPM ⁽¹⁾

(1) at optimal efficiency point

	Actual	Request 2013	Request 2015
Overall efficiency (η)	50,3	38,8	42,8
Efficiency grade	69	58	62
Installation category	A		
Efficiency category	static		
Variable speed drive	Yes		
Specific ratio	1,00		

Designed for regular application according ErP directive EU 2009/125/EC

Accessories

21194

Measurement setup

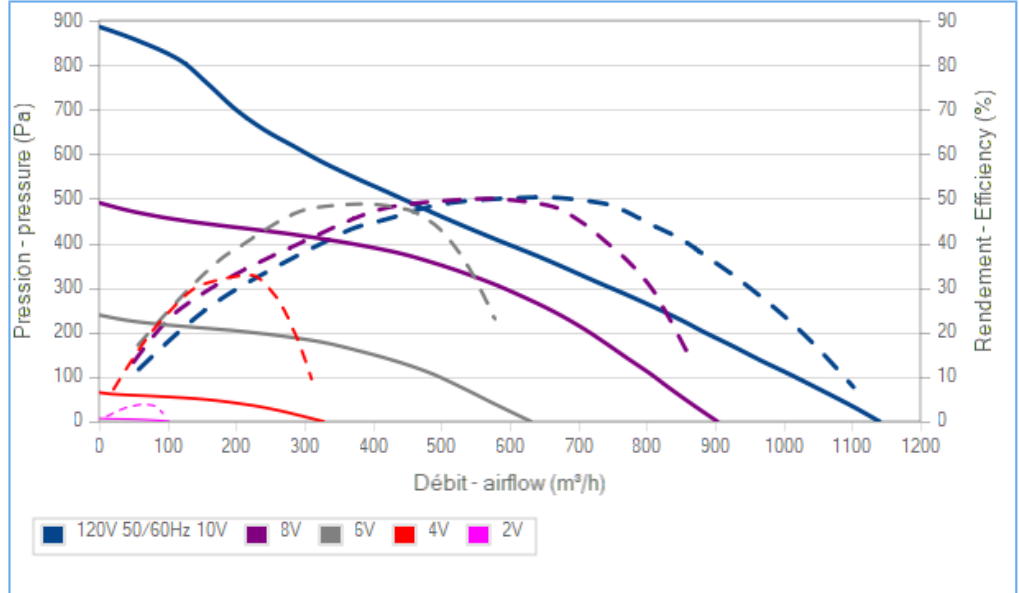
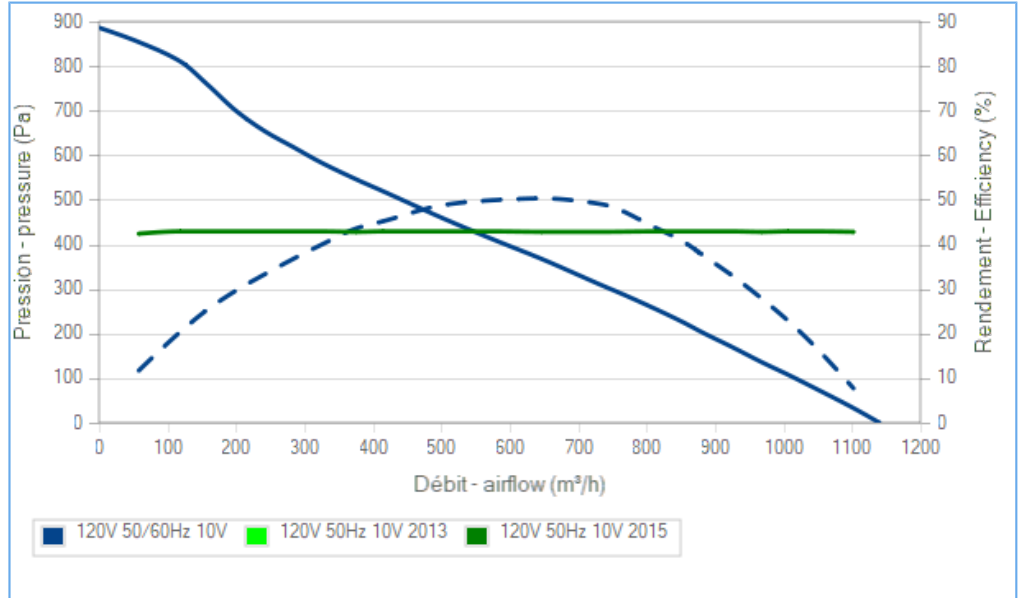
16240

Documents

Manuel d'utilisation
www.ecofit.com/site/normes

Operating and recycling manual
www.ecofit.com/anglais/normes

UL1004-1, 2nd edition "rotating electrical machine"
 UL1004-3, 1st edition "thermally protected motors"
 UL1004-7, 2nd edition "electronically protected motors"
 C22.2 N°100-04, 6th edition "motors and generator"
 C22.2 N°77-95, 7th edition "motors with inherent overheating protection"
 UL Motor Model : RT9191
 File Number : E326930 XDNW2,8



La courbe de rendement intègre le facteur de compensation de charge partielle du règlement (UE) n°327/2011
 The efficiency curve includes part load compensation factor of regulation (EU) n°327/2011

Non contractual document. All specifications are subject to change without prior notice. Picture for information only.