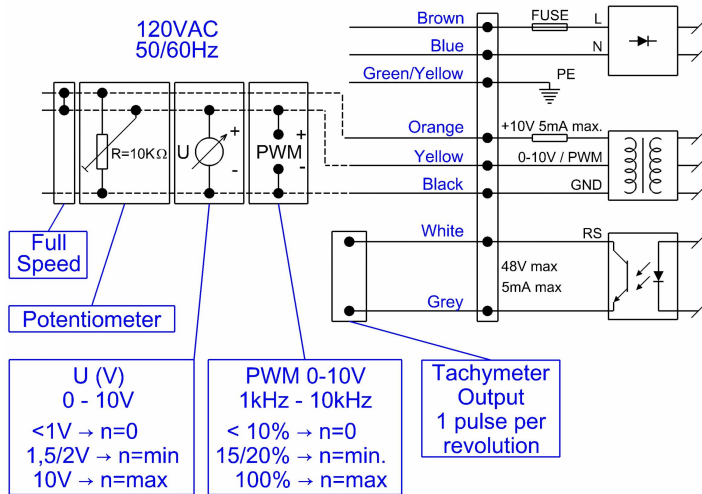


TECHNICAL DATA

Description

- Weight: 1.88 kg
- With Condensat Drain Holes
- Class F
- Protection level: 4x | Protection against ingress of solid with diameter ≥ 1 mm / No information
- Motor's protection Electronically protected
- Bearing type: 2 ball bearings 608ZZ
- Balance level: G2.5

Wiring diagram



Finishes

- Rotor : black paint
- PA 6/6 UL 94 V-0 plastic impeller

ADDITIONAL DATA

Accessories

- 16214 | Inlet cone

Documentations

- Operating and recycling manual
<http://www.ecofit.com/anglais/normes>

Measurement setup

- Ouie 16214-a Ouie Ø252 ext Ø155 int GALVA

ERP DATA

Data according to ErP directive

Tension	120 V
Frequency	50/60 Hz
Power ¹	0.15 kW
Airflow ¹	742 m3/h
Pressure ¹	329 Pa
Rotation ¹	2569 RPM
Catégorie de mesure	A
Catégorie de rendement	total
Variateur de vitesse	Yes
Rapport spécifique	1.00

- Designed for standard applications according to the directive EU 2009/125/EC

	Actual	2015
Rendement global	51.8	42.8
Niveau de rendement	71	62

¹ at optimum energy efficiency point



TECHNICAL DATA

(File of the diagram is not available)

*The product is manufactured in accordance with EN 60335-1, UL1004-1, and RoHS directive 2015/863/CE
IP class according to EN 60034-5 to be checked with operation and installation*

Issued: 2021-08-27 at 12:41 *Documentations and pictures are non contractual, all the data of the technical file and the drawing are subject to change.*

EN - Page 4 / 4