

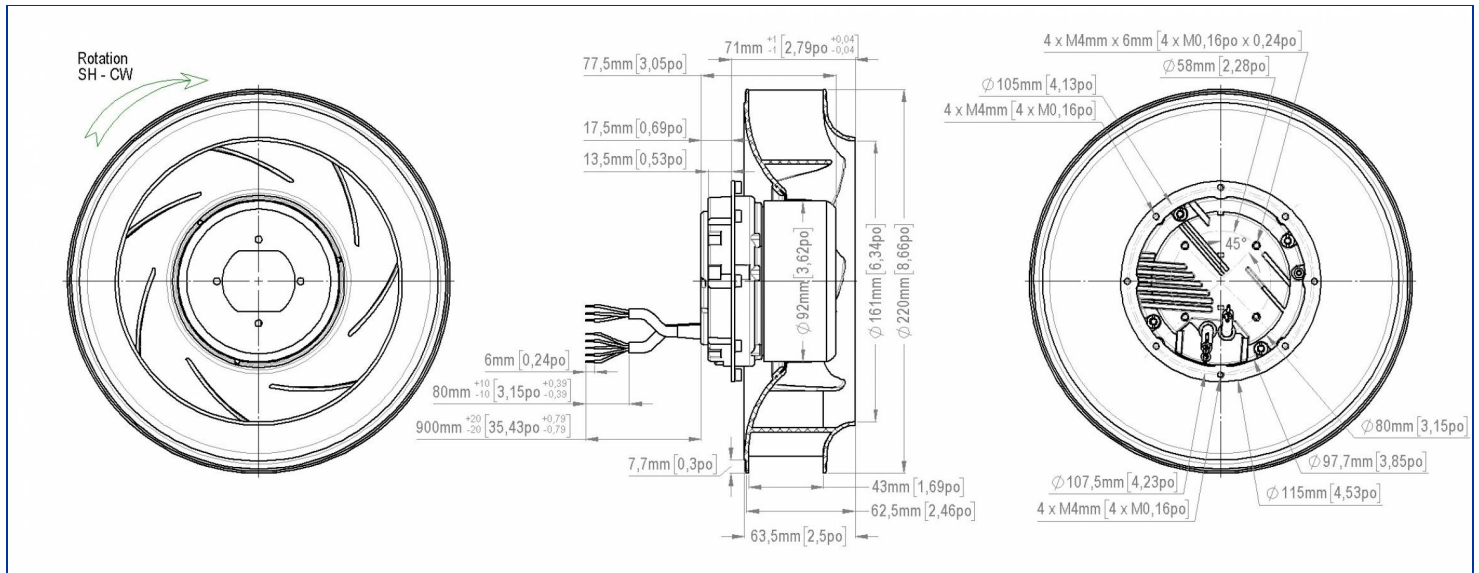


Designation **RREuG9 220x43R**

Range **Backward curved centrifugal fans with electronic commutation motor**

ELECTRICAL DATA

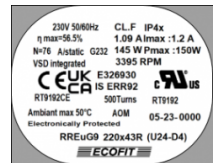
Tension (V)	230
Frequency (Hz)	50/60
Current (A)	1.09
Maximum current (A)	1.20
Power (W)	145
Maximum power (W)	150
Rotation (RPM)	3395
Cos Φ	0.578
Temperature min/max (°C)	-20/+50



MARKING & STANDARDS

Conformity

- **CE** RT9192CE IEC 60335-2-80, IEC 60335-1, EN 60331-2-80, EN 60335-1
- **UKCA**
- **UL** RT9192 UL1004-1, 2nd edition rotating electrical machine File number E326930



The product is manufactured in accordance with EN 60335-1, UL1004-1, and RoHS directiv 2015/863/CE
IP class according to EN 60034-5 to be checked with operation and installation

Issued: 2023-02-01 at 11:47 Documentations and pictures are non contractual, all the data of the technical file and the drawing are subject to change.

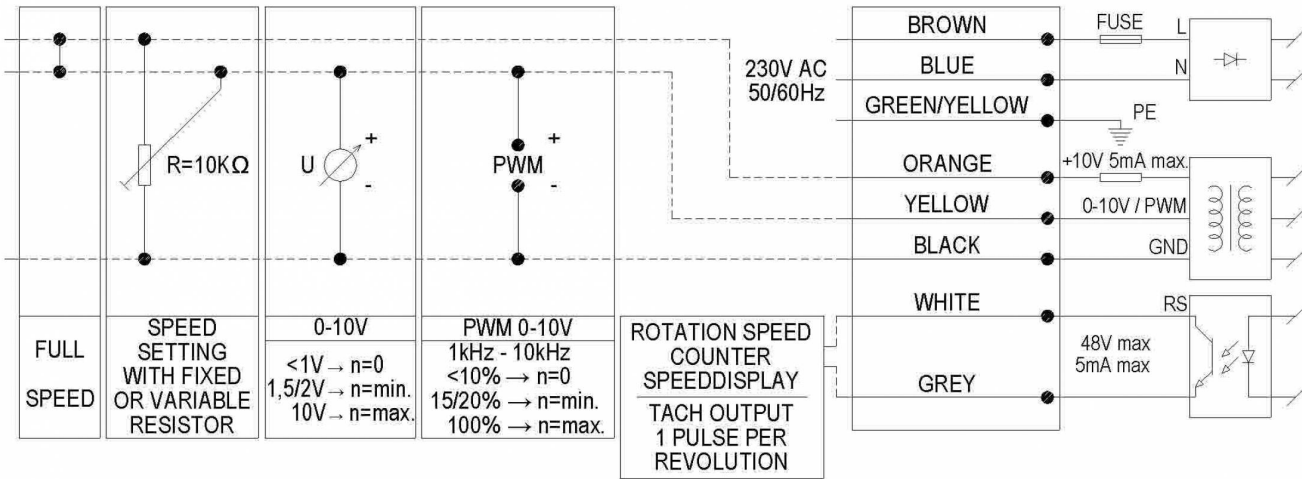
EN - Page 1 / 4

TECHNICAL DATA

Description

- Weight: 1.70 kg
- With Condensat Drain Holes
- Class F
- Protection level: 4x | Protection against ingress of solid with diameter ≥ 1 mm / No information
- Motor's protection Electronically protected
- Bearing type: 2 ball bearings 608ZZ
- Balance level: G2.5

Wiring diagram



Finishes

- Rotor : black paint
- Plastic impeller | Material : PPC-T20 UL94 V-0
- Motor - UL Recognized component



by



ADDITIONAL DATA

Accessories

- 16291 | Inlet cone

Documentations

- Operating and recycling manual
<http://www.ecofit.com/anglais/normes>

Measurement setup

- Ouie 16291-0 Ouie P/Turb. Ø220 E-Wheel

ERP DATA

Data according to ErP directive

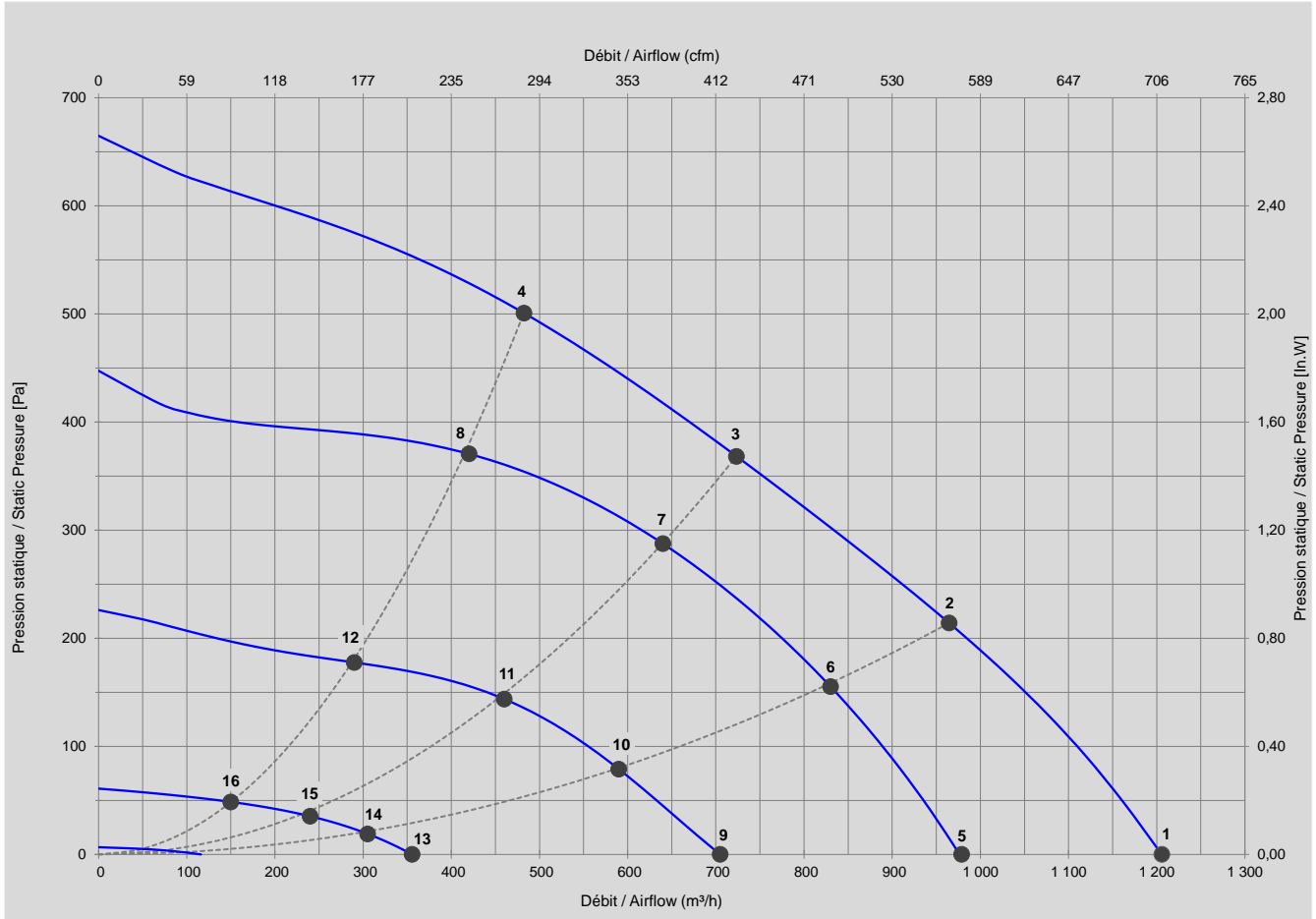
- Designed for standard applications according to the directive EU 2009/125/EC

Tension	230 V
Frequency	50/60 Hz
Power ¹	0.15 kW
Airflow ¹	739 m3/h
Pressure ¹	361 Pa
Rotation ¹	3117 RPM
Catégorie de mesure	A
Catégorie de rendement	total
Variateur de vitesse	Yes
Rapport spécifique	1.00

	Actual	2015
Rendement global	56.5	42.8
Niveau de rendement	76	62

¹ at optimum energy efficiency point

TECHNICAL DATA



Mesures / Measured Values*

	Un (V)	Vctl (V)	F (Hz)	P (W)	n (RPM)	Q (m³/h)	P (Pa)	Q (cfm)	P (In.W)	Lp _m (dBA)
1	230	10	50/60	145	3395	1 206	0	710	0,000	78
2	230	10	50/60	150	3204	965	214	568	0,858	75
3	230	10	50/60	150	3092	723	368	426	1,476	71
4	230	10	50/60	150	3167	482	501	284	2,007	74
5	230	8	50/60	75	2733	979	0	576	0,000	74
6	230	8	50/60	95	2729	830	155	489	0,622	71
7	230	8	50/60	103	2733	640	287	377	1,152	68
8	230	8	50/60	98	2729	420	371	247	1,484	69
9	230	6	50/60	29	1948	705	0	415	0,000	68
10	230	6	50/60	37	1936	590	79	347	0,316	64
11	230	6	50/60	40	1938	460	144	271	0,576	61
12	230	6	50/60	36	1940	290	178	171	0,712	60
13	230	4	50/60	8	1073	356	0	209	0,000	
14	230	4	50/60	8	994	305	19	180	0,076	
15	230	4	50/60	8	991	240	35	141	0,142	
16	230	4	50/60	8	989	150	49	88	0,195	

* Air performance measured according to: ISO 5801, installation category C.

Intake-side sound level: according to ISO 3744, LpA measured at 1 m distance from fan axis. The values given are only applicable under the specified measuring conditions and may differ depending on the installation conditions. In the event of deviation

The product is manufactured in accordance with EN 60335-1, UL1004-1, and RoHS directive 2015/863/CE
IP class according to EN 60034-5 to be checked with operation and installation