



RREG9 225x63R

K49-A6-1



DATA SHEET

release. j - Revision 03-2018

Voltage	Frequency	Input Power	Input Current	Airflow	Rotation speed	Acoustic level	Direction rotation	Admissible Temperature
V	Hz	W	A	m ³ /h	RPM	dBA	↻	Min/Max
230	50/60	150	1,18	1315	2860	71	R	-20°C / +50°C
230	50/60			774 CFM				-4°F / 122°F

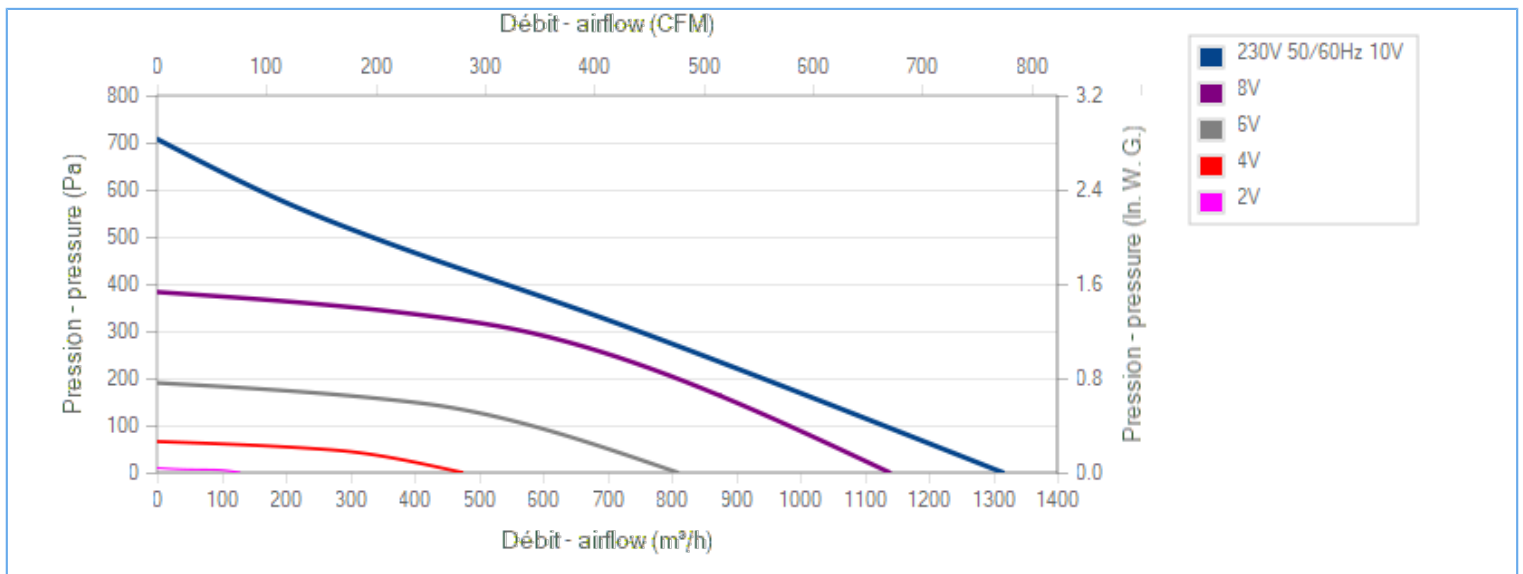
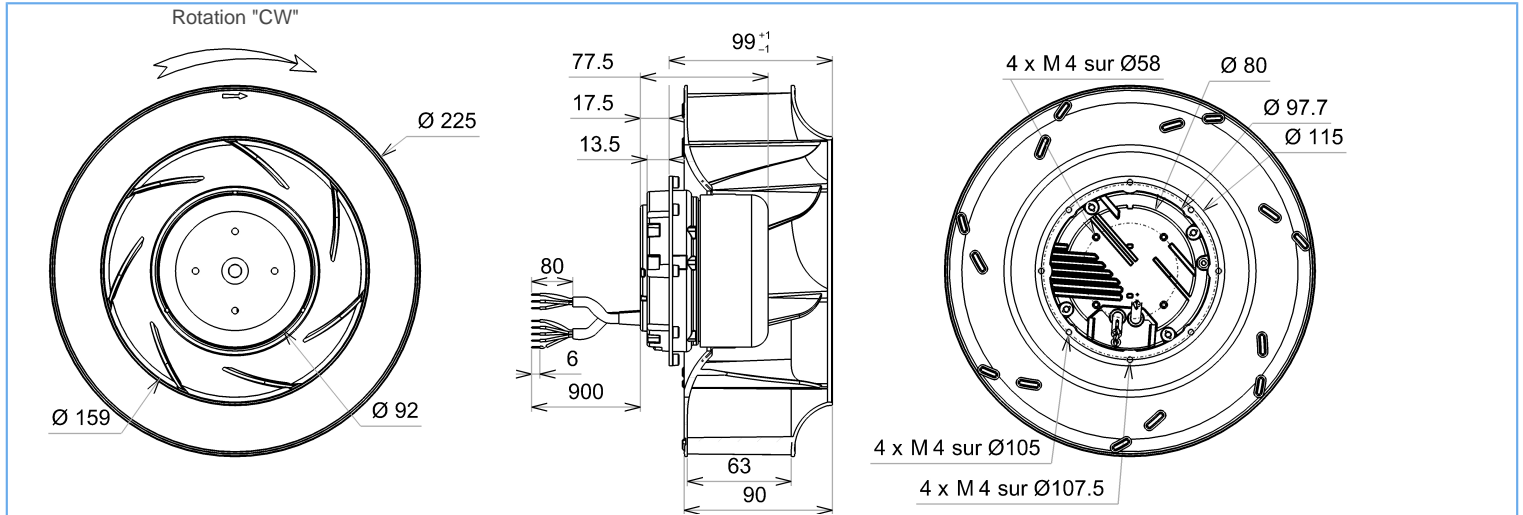
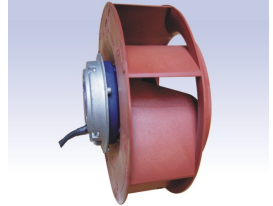
dBA : free blowing

ErP 2013

OK

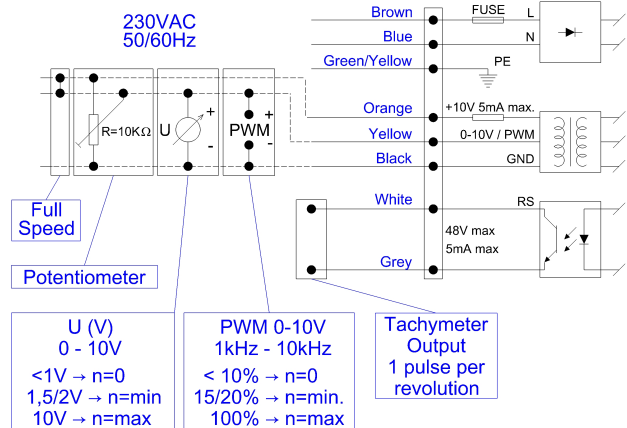
ErP 2015

OK



Description

- .Weight : 1,7 Kg
- .Ball bearing
- .Insulation Class F
- .IP4x may be IP44 according to EN60034-5 after checking the integration into the customer appliance
- .G2.5 balancing
- .Rotor : black paint
- .PA 6/6 UL 94 V-0 plastic impeller





RREG9 225x63R

K49-A6-1



DATA SHEET

release. j - Revision 03-2018

Data in accordance to ErP directive

Voltage	230	V
Frequency	50	Hz
Power	0,150	kW ⁽¹⁾
Airflow	744	m ³ /h ⁽¹⁾
Pressure	302	Pa ⁽¹⁾
Rotation speed	2571	RPM ⁽¹⁾

(1) at optimal efficiency point

	Actual	Request 2013	Request 2015
Overall efficiency (η)	47,7	38,8	42,8
Efficiency grade	67	58	62
Installation category	A		
Efficiency category	static		
Variable speed drive	Yes		
Specific ratio	1,00		

Designed for regular application according ErP directive EU 2009/125/EC

Accessories

16214

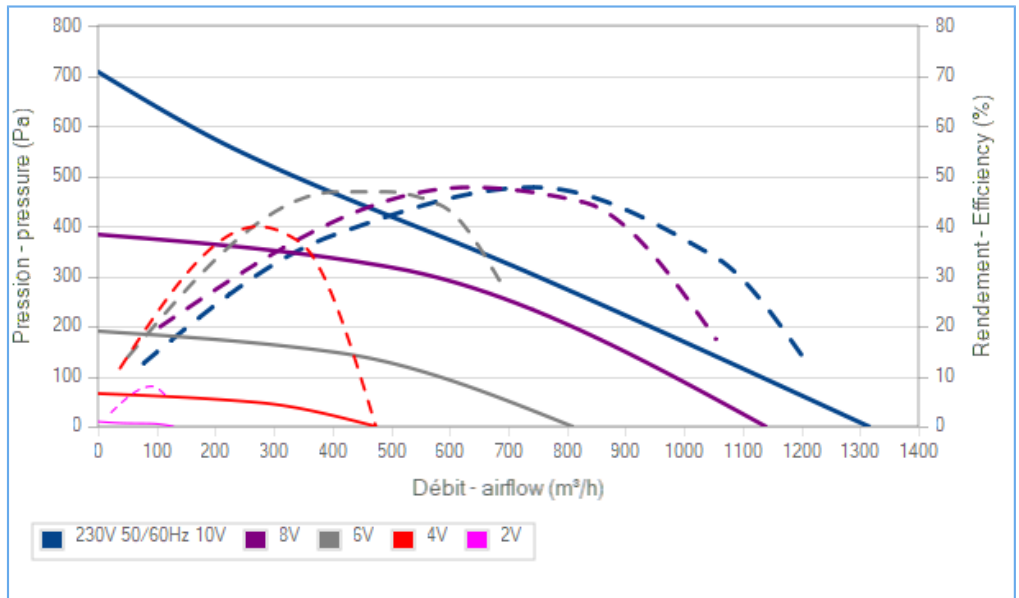
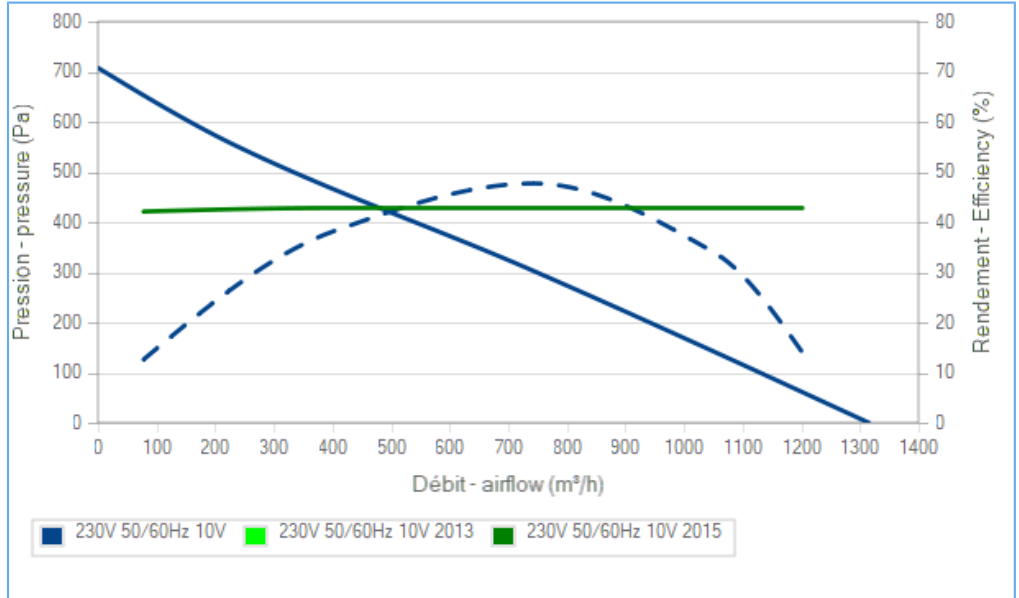
Measurement setup

16241

Documents

Manuel d'utilisation
www.ecofit.com/site/normes

Operating and recycling manual
www.ecofit.com/anglais/normes



La courbe de rendement intègre le facteur de compensation de charge partielle du règlement (UE) n°327/2011
 The efficiency curve includes part load compensation factor of regulation (EU) n°327/2011

CE
 IEC 60335-2-80:2002 + A1:2004 +
 IEC 60335-1:2010
 EN 60335-2-80:2003 + A1:2004 + A2:2009 +
 EN 60335-1:2012
 RT9192CE

Non contractual document. All specifications are subject to change without prior notice. Picture for information only.