

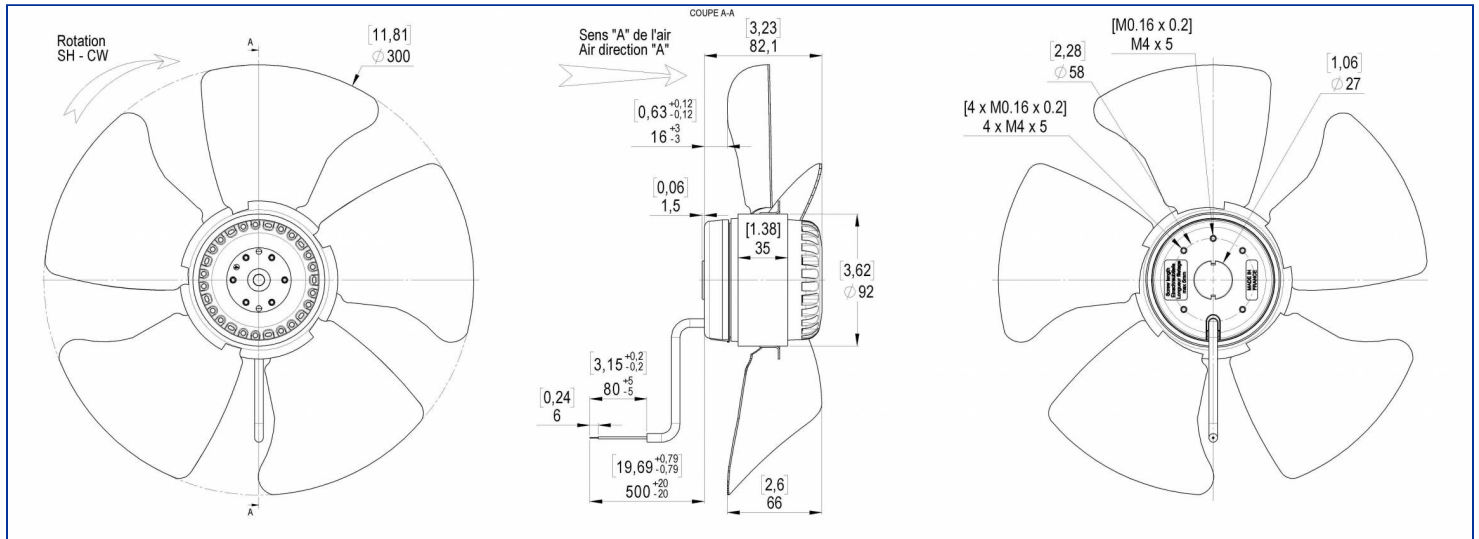


Designation **4VREu35 300A**

Range Axial fans with single phase asynchronous motor

ELECTRICAL DATA

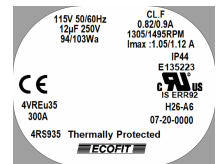
Speed	GV	GV
Tension (V)	115	115
Frequency (Hz)	50	60
Current (A)	0.82	0.90
Maximum current (A)	1.05	1.12
Power (W)	94	103
Maximum power (W)	112	128
Rotation (RPM)	1305	1495
Cos Φ	0.997	0.995
Temperature min/max (°C)	-40/+50	-40/+70
Capacitor (µF)	12.00	12.00
U_condo (V)	250	250



MARKING & STANDARDS

Conformity

- **CE**
- **UL 4RS935 2111 REC92 MonoPhasé (XEWR2,8)**  
File number E135223



The product is manufactured in accordance with EN 60335-1, UL2111, and RoHS directive 2015/863/CE  
IP class according to EN 60034-5 to be checked with operation and installation

Issued: 05/03/2020 at 16:47 Documentations and pictures are non contractual, all the data of the technical file and the drawing are subject to change.

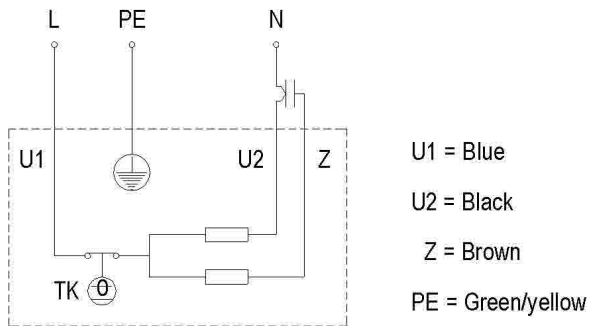
EN - Page 1 / 4

TECHNICAL DATA

Description

- Weight: 2.50 kg
- Class F
- Protection level: 44 | Protection against ingress of solid with diameter  $\geq 1$  mm / Protection against ingress of water : splashing
- Motor's protection T150° C UL Automatic reset
- Bearing type: 2 ball bearings 608ZZ
- Balance level: G6.3

Wiring diagram



Finishes

- Zinc coated impeller
- Motor - UL Recognized component
- Rotor and impeller : black paint

The product is manufactured in accordance with EN 60335-1, UL2111, and RoHS directive 2015/863/CE  
IP class according to EN 60034-5 to be checked with operation and installation

Issued: 05/03/2020 at 16:47 Documentations and pictures are non contractual, all the data of the technical file and the drawing are subject to change.

EN - Page 2 / 4



## ADDITIONAL DATA

### Accessories

- 19237 | Capacitor
- 39658 | Connecting box
- 09172 | Connector

### Documentations

- Operating and recycling manual  
<http://www.ecofit.com/anglais/normes>

### Measurement setup

- Ring 16086-0 VIROLE V300 RONDE

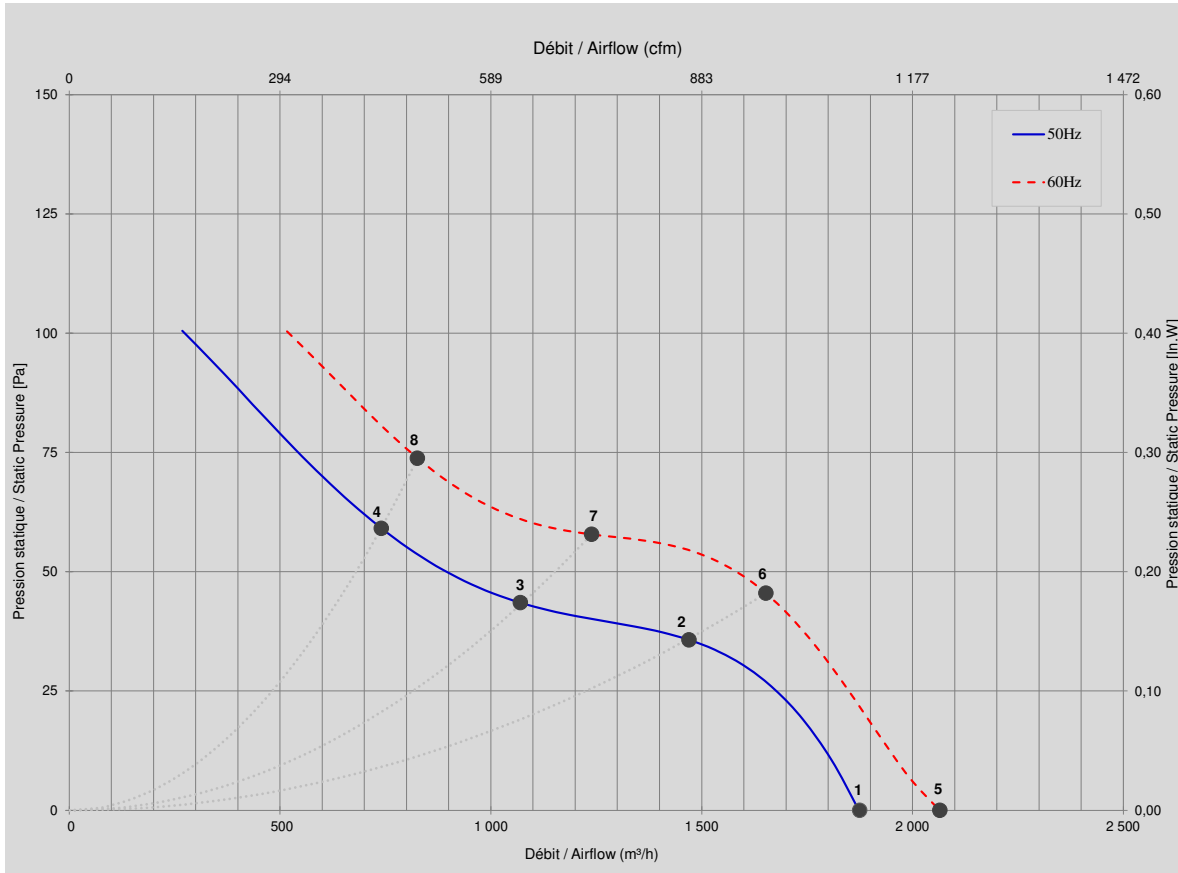
## ERP DATA

ErP Directive ErP (EU 2009/125/EC) not applicable:

- Power at optimum energy efficiency point <125W

TECHNICAL DATA

Do not use in pumping zone.



Mesures / Measured Values \*

	Un (V)	F (Hz)	C (µF)	P (W)	n (RPM)	Q (m³/h)	P (Pa)	Q (cfm)	P (In.W)	Lp <sub>m</sub> (dBA)
1	115	50	12	94	1305	1 875	0	1 104	0,000	
2	115	50	12	97	1263	1 470	36	865	0,143	
3	115	50	12	98	1258	1 070	44	630	0,174	
4	115	50	12	101	1234	740	59	436	0,237	
5	115	60	12	103	1495	2 065	0	1 215	0,000	
6	115	60	12	110	1426	1 652	45	972	0,182	
7	115	60	12	112	1418	1 239	58	729	0,232	
8	115	60	12	114	1366	826	74	486	0,296	

\* Air performance measured according to: ISO 5801, installation category C.  
Intake-side sound level: according to ISO 3744, LpA measured at 1 m distance from fan axis. The values given are only applicable under the specified measuring conditions and may differ depending on the installation conditions. In the event of deviation

The product is manufactured in accordance with EN 60335-1, UL2111, and RoHS directive 2015/863/CE  
IP class according to EN 60034-5 to be checked with operation and installation