

Technical data sheet

Revision 0
Revision 06/2022

ECOFIT

by

rosenberg
THE AIR MOVEMENT GROUP
VENDÔME

Model
V42-A0 p

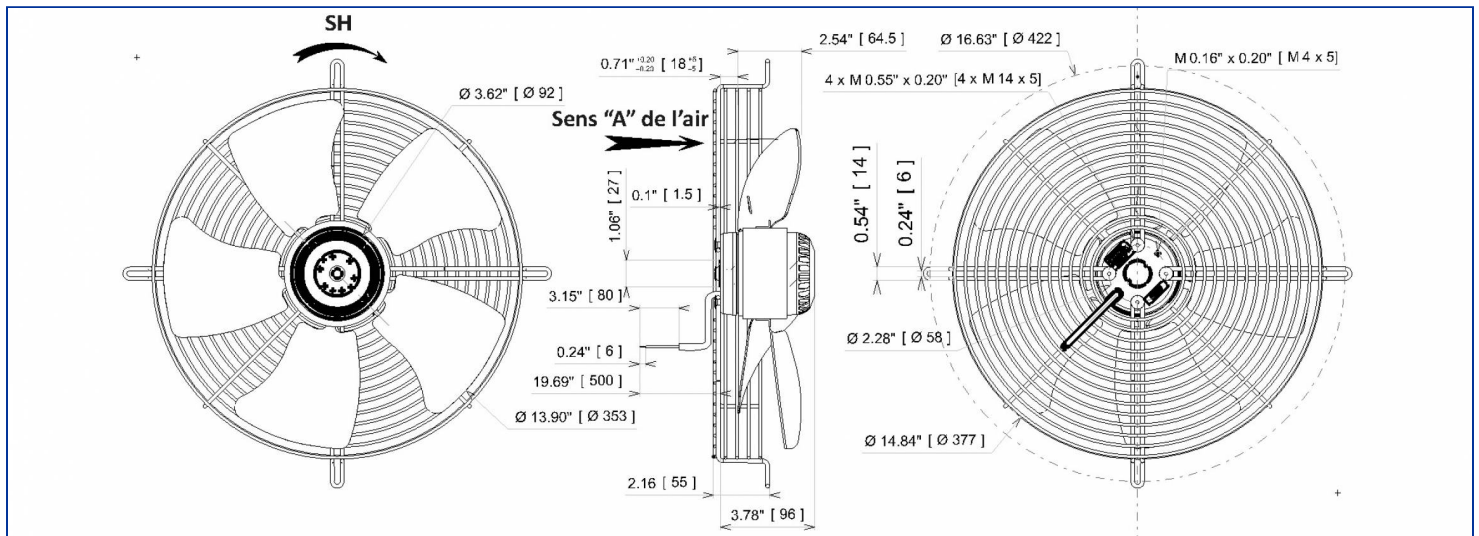


Designation **4VPRu45 350A**

Range Axial fans with single phase asynchronous motor

ELECTRICAL DATA

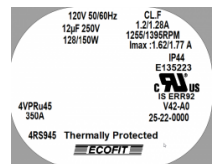
Speed		
Tension (V)	120	120
Frequency (Hz)	50	60
Current (A)	1.20	1.28
Maximum current (A)	1.62	1.77
Power (W)	128	150
Maximum power (W)	164	186
Rotation (RPM)	1255	1395
Cos Φ	0.889	0.977
Temperature min/max (°C)	-40/+55	-40/+65
Capacitor (µF)	12.00	12.00
U_condo (V)	250	250



MARKING & STANDARDS

Conformity

- **UL 4RS945 2111 REC92 MonoPhasé (XEW2,8)**
File number E135223



The product is manufactured in accordance with EN 60335-1, UL2111, and RoHS directive 2015/863/CE
IP class according to EN 60034-5 to be checked with operation and installation

Issued: 2022-06-22 at 14:01 Documentations and pictures are non contractual, all the data of the technical file and the drawing are subject to change.

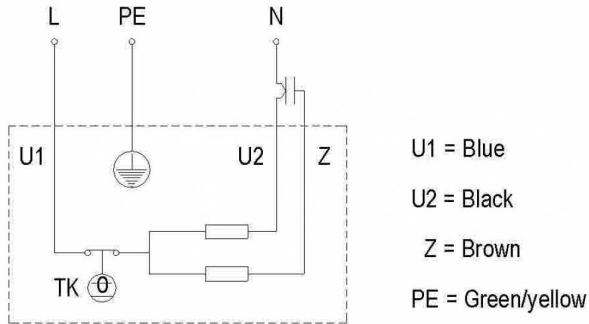
EN - Page 1 / 4

TECHNICAL DATA

Description

- Weight: 4.20 kg
- With Condensat Drain Holes
- Class F
- Protection level: 44 | Protection against ingress of solid with diameter ≥ 1 mm / Protection against ingress of water : splashing
- Motor's protection T150° C UL Automatic reset
- Bearing type: 2 ball bearings 608ZZ + 6000ZZ
- Balance level: G6.3

Wiring diagram



Finishes

- Basket finger guard : black paint
- Zinc coated impeller
- Rotor and impeller : black paint

The product is manufactured in accordance with EN 60335-1, UL2111, and RoHS directive 2015/863/CE
IP class according to EN 60034-5 to be checked with operation and installation

Issued: 2022-06-22 at 14:01 Documentations and pictures are non contractual, all the data of the technical file and the drawing are subject to change.

EN - Page 2 / 4



by



ADDITIONAL DATA

Accessories

- 19237 | Capacitor
- 39658 | Connecting box
- 09172 | Connector

Documentations

- Operating and recycling manual
<http://www.ecofit.com/anglais/normes>

Measurement setup

- Ring 16087-0 VIROLE V350 RONDE

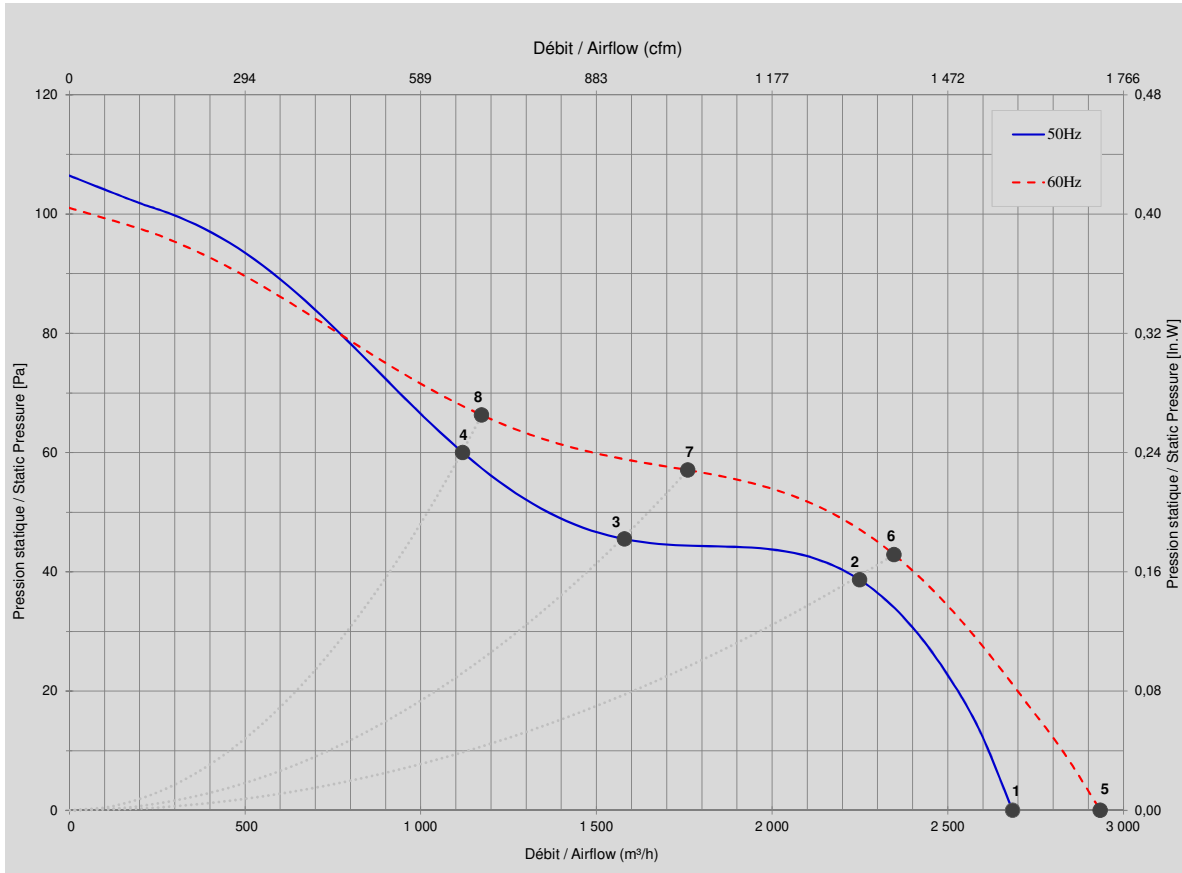
ERP DATA



- For maintenance usage only in Europe according to the directive EU 2009/125/EC

TECHNICAL DATA

Do not use in pumping zone.



Mesures / Measured Values *

	Un (V)	F (Hz)	C (µF)	P (W)	n (RPM)	Q (m³/h)	P (Pa)	Q (cfm)	P (In.W)	Lp _m (dBA)
1	115	50	12	117	1240	2 685	0	1 580	0,000	63,0
2	115	50	12	125	1185	2 250	39	1 324	0,155	59,0
3	115	50	12	128	1182	1 580	45	930	0,182	58,0
4	115	50	12	132	1131	1 120	60	659	0,240	60,0
5	115	60	12	140	1230	2 934	0	1 727	0,000	64,0
6	115	60	12	149	1269	2 348	43	1 382	0,172	60,0
7	115	60	12	153	1244	1 761	57	1 036	0,229	58,0
8	115	60	12	158	1205	1 174	66	691	0,266	61,0

* Air performance measured according to: ISO 5801, installation category C.
Intake-side sound level: according to ISO 3744, LpA measured at 1 m distance from fan axis. The values given are only applicable under the specified measuring conditions and may differ depending on the installation conditions. In the event of deviation

The product is manufactured in accordance with EN 60335-1, UL2111, and RoHS directive 2015/863/CE
IP class according to EN 60034-5 to be checked with operation and installation