



4TREu25 160x62R

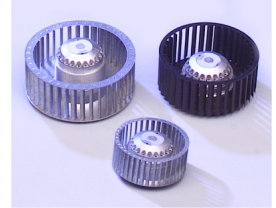
C45-C1 p



DATA SHEET

release. d - Revision 11-2018

Voltage	Frequency	Input Power	Input Current	Capacitor	Airflow	Rotation speed	Acoustic level	Direction rotation	Admissible Temperature
V	Hz	W	A	µF	m³/h	RPM	dBA		Min/Max
230	50	71	0,31	2,0	420	1270	54	R	-40°C / +70°C
230	60	88	0,39	2,0	470	1390	56	R	-40°C / +70°C
230	50				247 CFM				-40°F / 158°F
230	60				276 CFM				-40°F / 158°F



dBa : free blowing

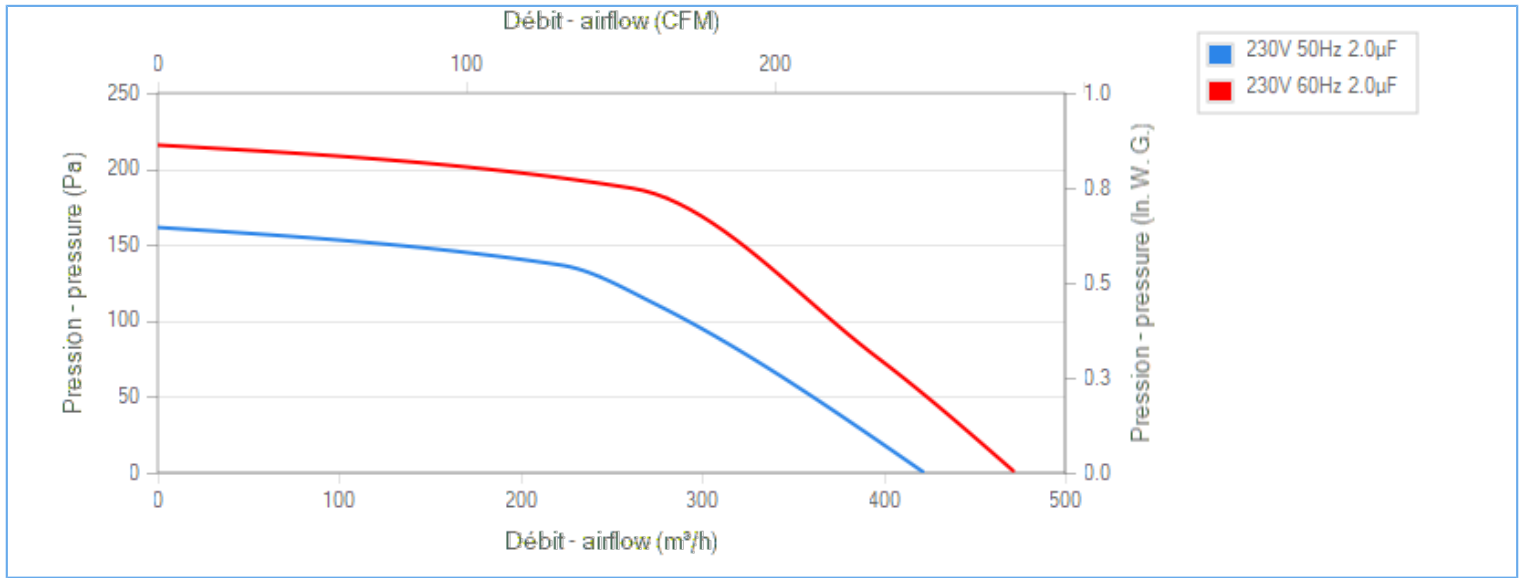
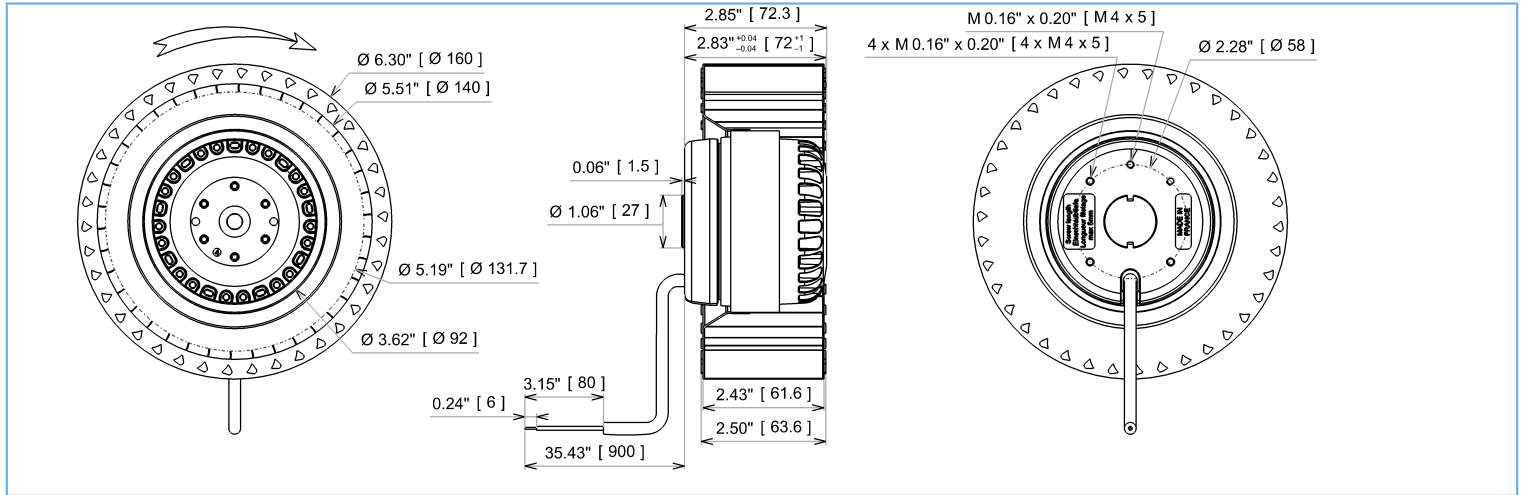
NA : not applicable

ErP 2013

NA

ErP 2015

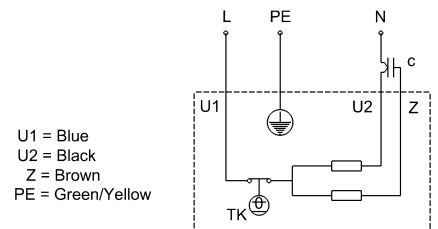
NA



Tested with ECOFIT housing

Description

- .Weight : 1,9 Kg
- .Ball bearing
- .Class F, thermally protected
- .IP44 protection depending on installation and position as per EN60034-5
- .G2.5 balancing
- .Galvanized steel impeller
- .Rotor : black paint
- .Motor - UL Recognized component



Non contractual document. All specifications are subject to change without prior notice. Picture for information only.



4TREu25 160x62R

C45-C1 p



DATA SHEET

release. d - Revision 11-2018

Data in accordance to ErP directive

Voltage	230	V
Frequency	50	Hz
Power	0,060	kW ⁽¹⁾
Airflow	249	m ³ /h ⁽¹⁾
Pressure	124	Pa ⁽¹⁾
Rotation speed	1372	RPM ⁽¹⁾
(1) at optimal efficiency point		

ErP directive (EU 2009/125/EC) not applicable :
Power at optimum energy efficiency point

Accessories

- 19217
- 19217
- 21325
- 16154

Measurement setup

Contact ECOFIT

Documents

Manuel d'utilisation
www.ecofit.com/site/normes

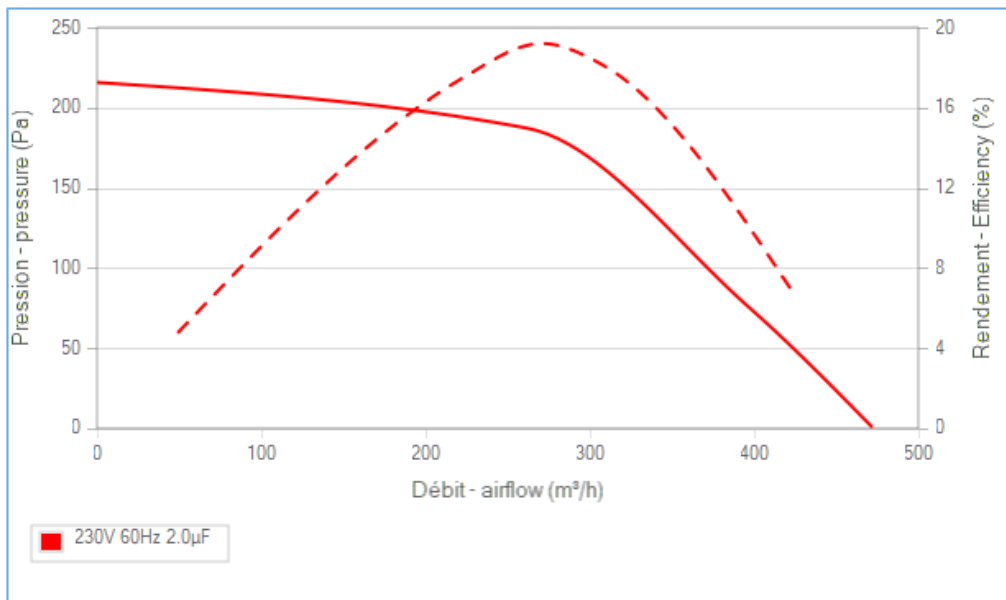
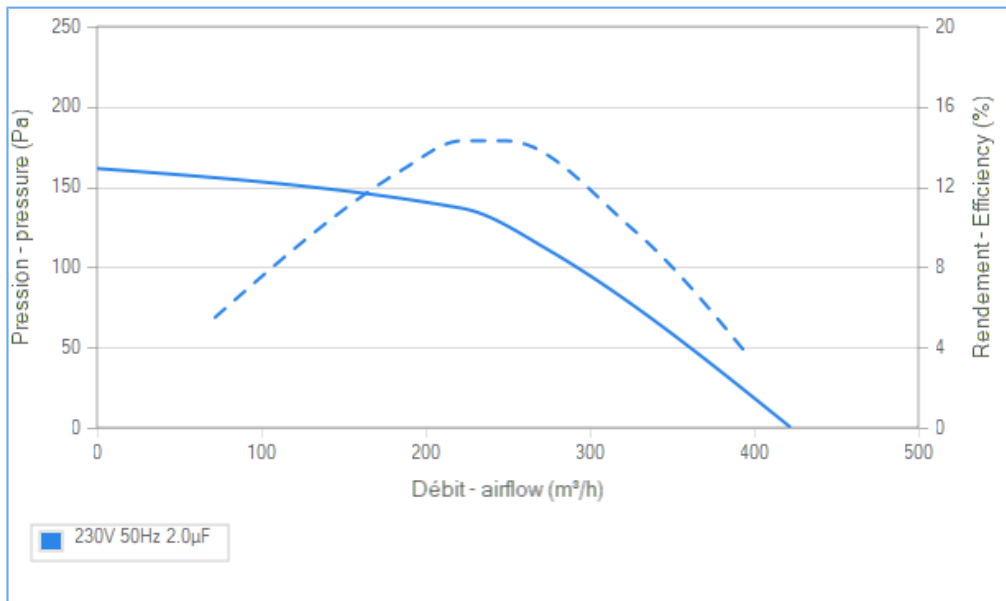
Operating and recycling manual
www.ecofit.com/anglais/normes



UL2111 (XEWR2,8)
N° file E135223
4RS925



A041865
4RS925CN



Non contractual document. All specifications are subject to change without prior notice. Picture for information only.