



4TGLu25 80x600R

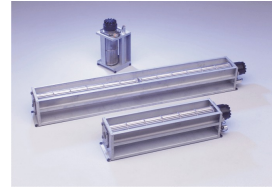
K18-A7 p



DATA SHEET

release. b - Revision 02-2019

Voltage	Frequency	Input Power	Input Current	Capacitor	Airflow	Rotation speed	Acoustic level	Direction rotation	Admissible Temperature
V	Hz	W	A	µF	m³/h	RPM	dBA	↻	Min/Max
230	50	63	0,3	1,5	800	1180	53	R	-40°C / +70°C
230	60	71	0,31	1,5	860	1225	56	R	-40°C / +70°C
230	50				470 CFM				-40°F / 158°F
230	60				506 CFM				-40°F / 158°F



dBa : free blowing

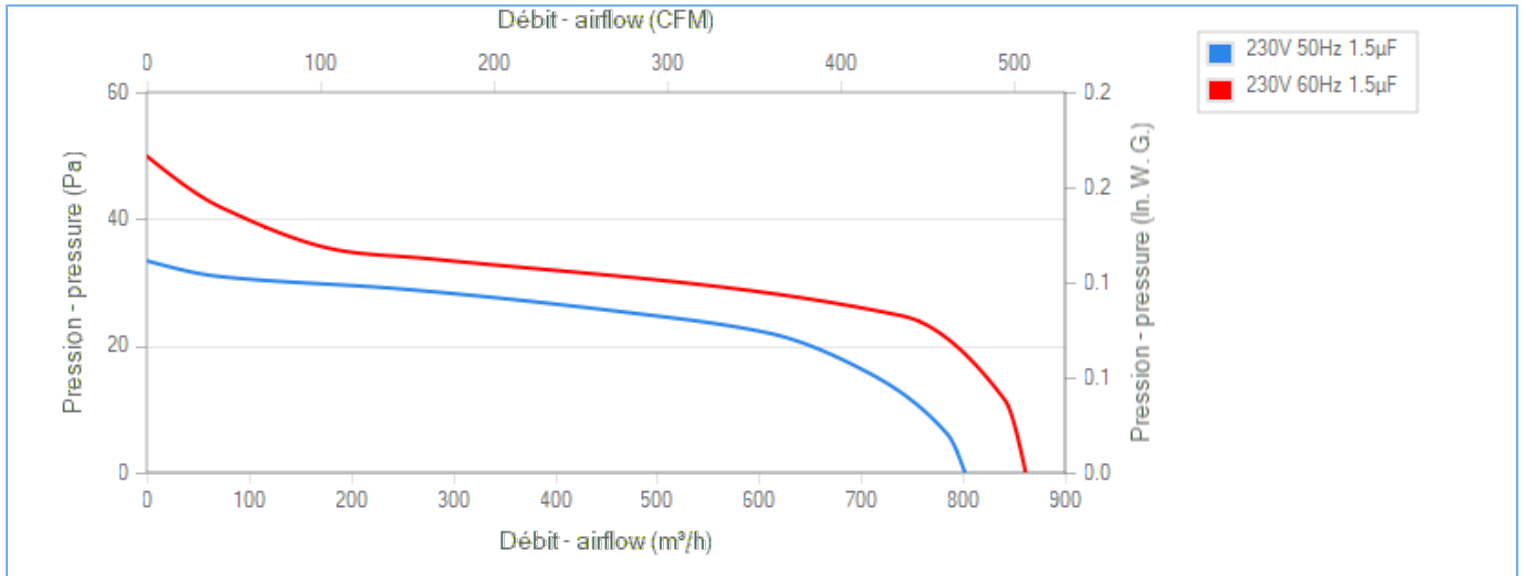
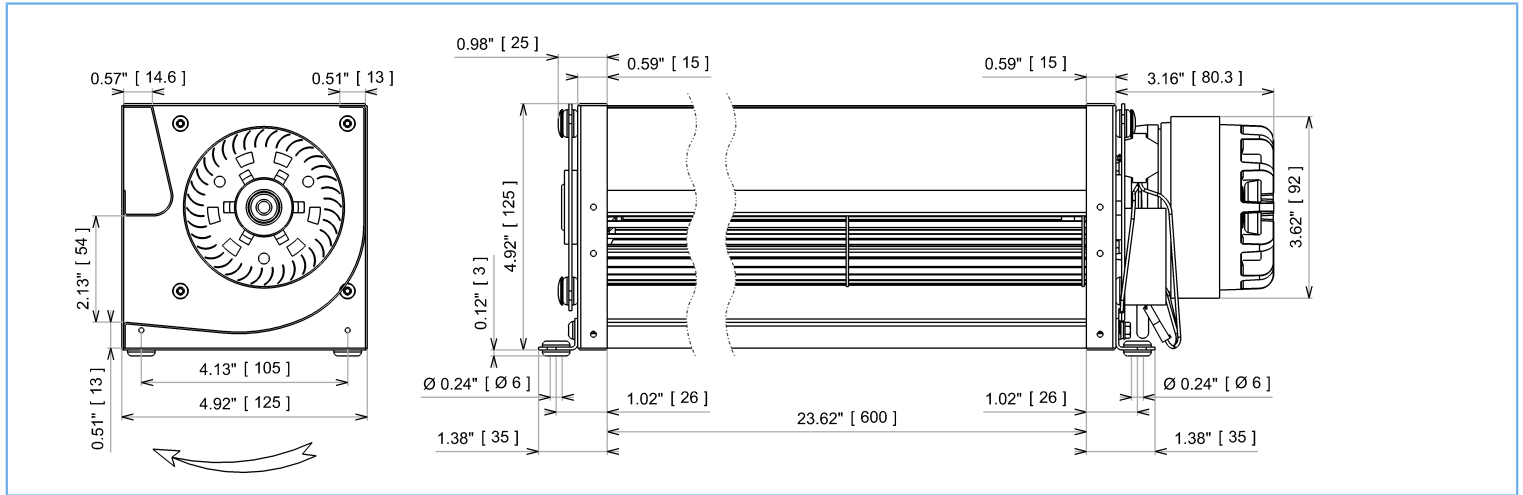
NA : not applicable

ErP 2013

NA

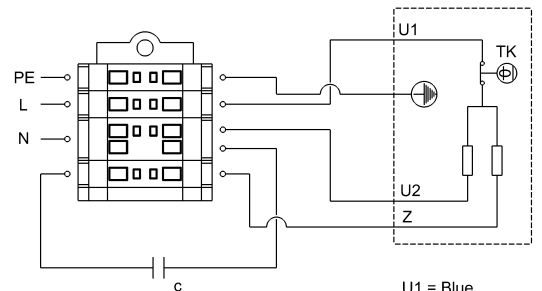
ErP 2015

NA



Description

- .Weight : 3,2 Kg
- .Ball bearing
- .Class F, thermally protected
- .IP20 Protection depending on installation and position as per EN60034-5
- .G2.5 balancing
- .Zinc coated steel scroll housing
- .Aluminium impeller
- .Capacitor fixed on the scroll and wired to a WAGO Connector



U1 = Blue
 U2 = Black
 Z = Brown
 PE = Green/yellow

Non contractual document. All specifications are subject to change without prior notice. Picture for information only.



4TGLu25 80x600R

K18-A7 p



DATA SHEET

release. b - Revision 02-2019

Data in accordance to ErP directive

Voltage	230	V
Frequency	50	Hz
Power	0,056	kW ⁽¹⁾
Airflow	704	m ³ /h ⁽¹⁾
Pressure	14,6	Pa ⁽¹⁾
Rotation speed	1275	RPM ⁽¹⁾

(1) at optimal efficiency point

ErP directive (EU 2009/125/EC) not applicable :
Power at optimum energy efficiency point

Accessories

19208

19208

Measurement setup

Contact ECOFIT

Documents

Manuel d'utilisation

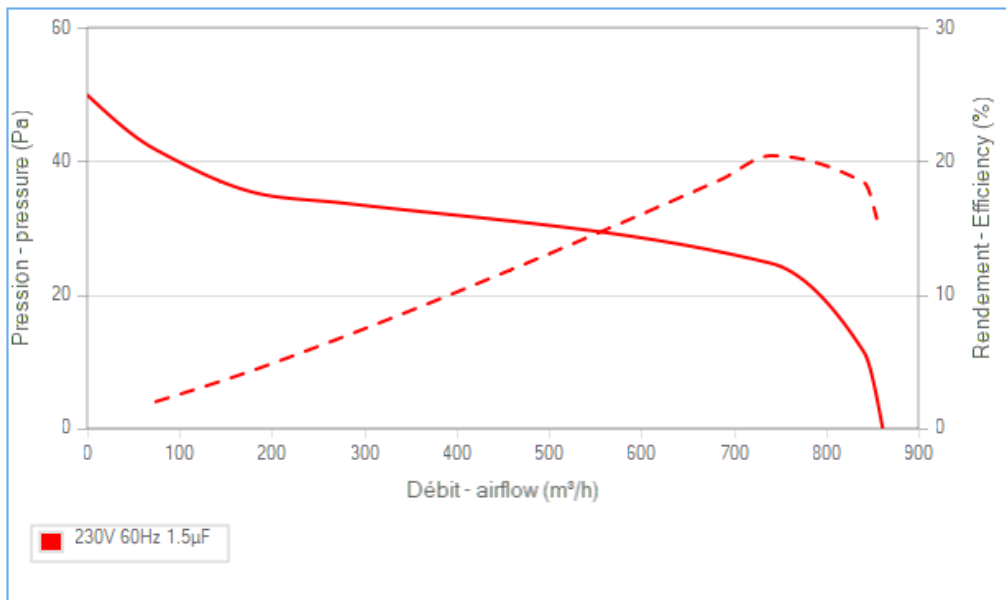
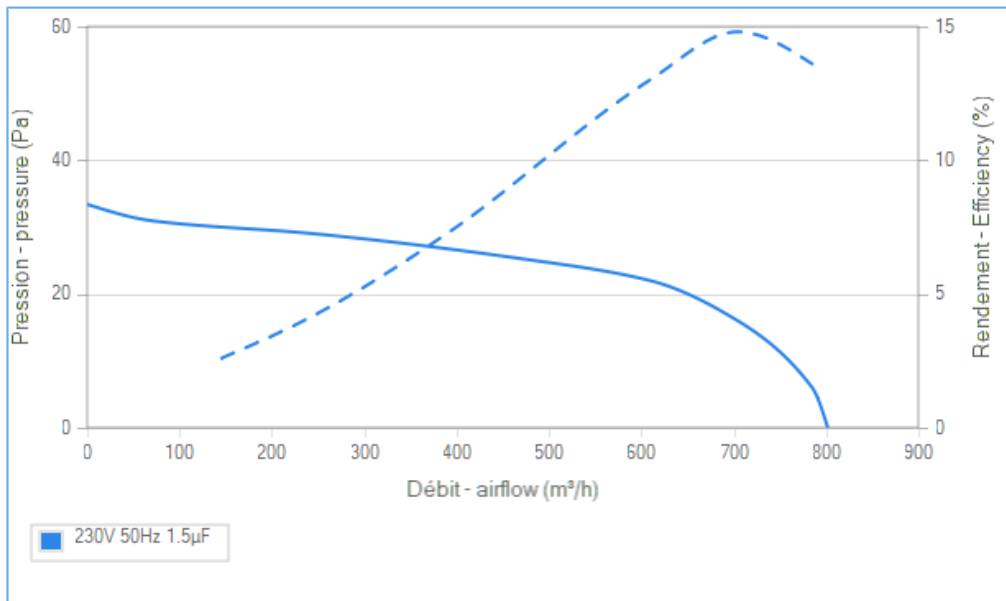
www.ecofit.com/site/normes

Operating and recycling manual

www.ecofit.com/anglais/normes



UL2111 (XEW2,8)
N° file E135223
4RS925



Non contractual document. All specifications are subject to change without prior notice. Picture for information only.