



4TGL45 100x1030R

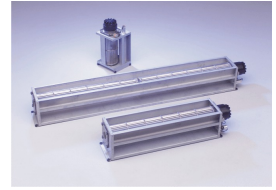
T10-22 p



DATA SHEET

release. d - Revision 11-2016

Voltage	Frequency	Input Power	Input Current	Capacitor	Airflow	Rotation speed	Acoustic level	Direction rotation	Admissible Temperature
V	Hz	W	A	µF	m³/h	RPM	dBA	↻	Min/Max
230	50	104	0,5	2,5	1600	1115	56	R	-20°C / +70°C
230	60	123	0,56	2,5	1615	1175	58	R	-20°C / +70°C
230	50				941 CFM				-4°F / 158°F
230	60				950 CFM				-4°F / 158°F



dBa : free blowing

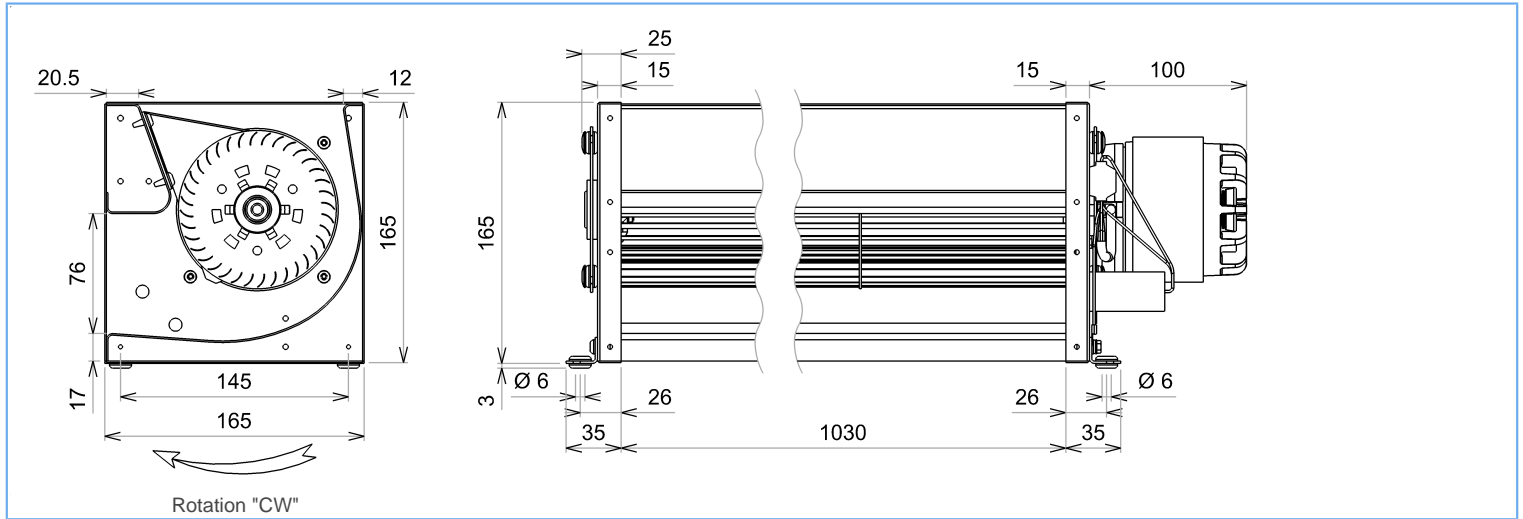
NA : not applicable

ErP 2013

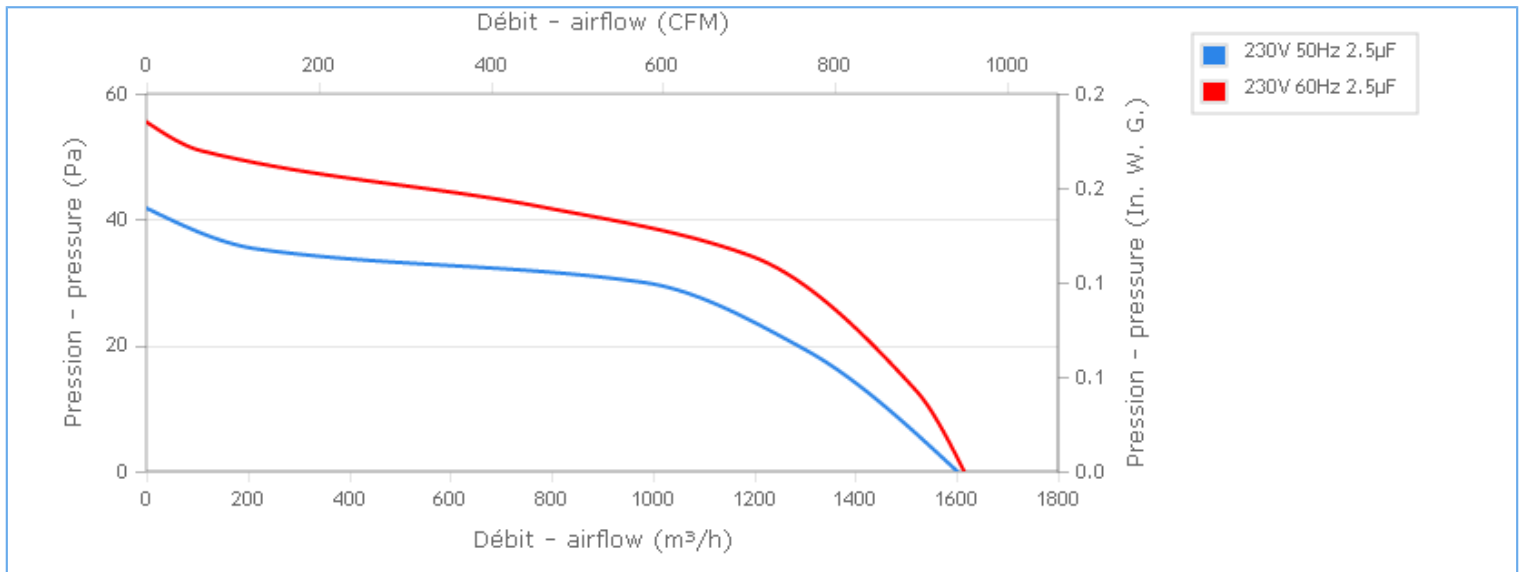
NA

ErP 2015

NA

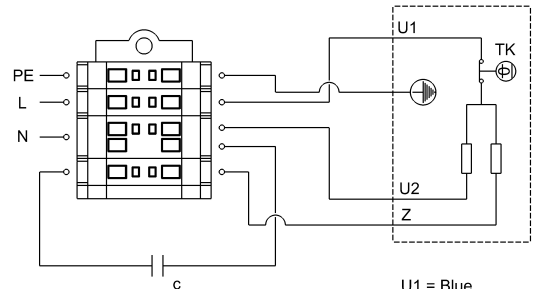


Rotation "CW"



Description

- .Weight : 8,0 Kg
- .Ball bearing
- .Class F, thermally protected
- .IP20 Protection depending on installation and position as per EN60034-5
- .G2.5 balancing
- .Zinc coated steel scroll housing
- .Aluminium impeller
- .Capacitor fixed on the scroll and wired to a WAGO Connector



U1 = Blue
U2 = Black
Z = Brown
PE = Green/yellow

Non contractual document. All specifications are subject to change without prior notice. Picture for information only.



DATA SHEET

release. d - Revision 11-2016

Data in accordance to ErP directive

Voltage	230	V
Frequency	50	Hz
Power	0,076	kW ⁽¹⁾
Airflow	982	m ³ /h ⁽¹⁾
Pressure	30	Pa ⁽¹⁾
Rotation speed	1322	RPM ⁽¹⁾

(1) at optimal efficiency point

ErP directive (EU 2009/125/EC) not applicable :
Power at optimum energy efficiency point

Accessories

-
-
-

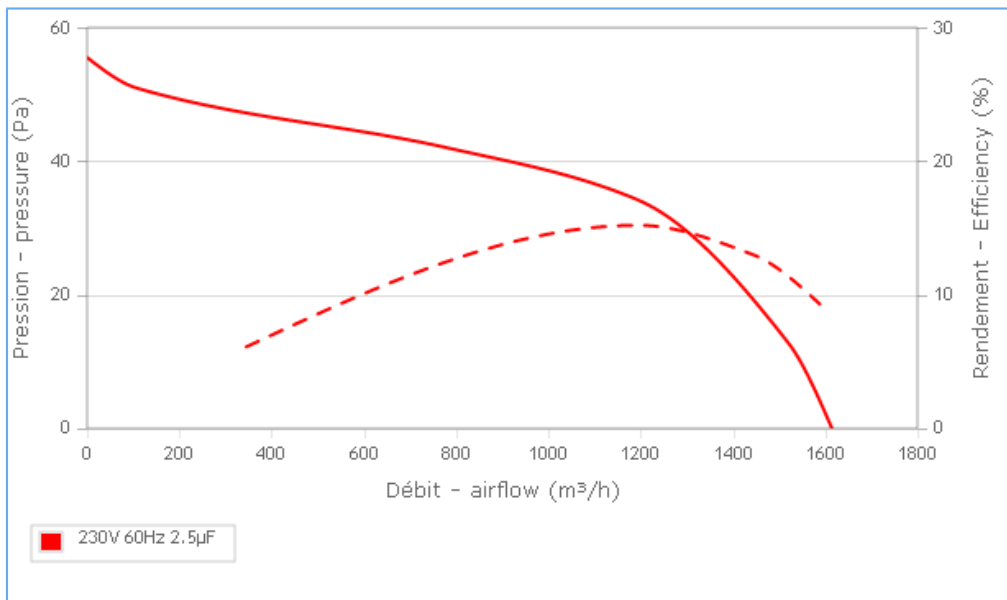
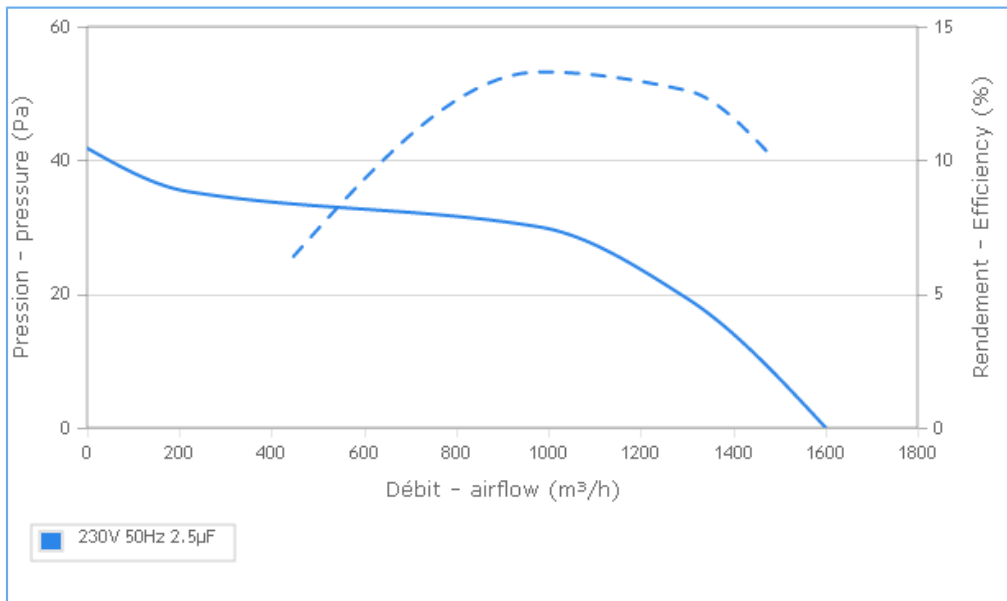
Measurement setup

Contact ECOFIT

Documents

Manuel d'utilisation
www.ecofit.com/site/normes

Operating and recycling manual
www.ecofit.com/anglais/normes



Non contractual document. All specifications are subject to change without prior notice. Picture for information only.