



4RTA25

Z27-09 p



DATA SHEET

release. i - Revision 02-2017

Voltage	Frequency	Input Power	Input Current	Capacitor	Airflow	Rotation speed	Acoustic level	Direction rotation	Admissible Temperature
V	Hz	W	A	µF	m³/h	RPM	dBA		Min/Max
230	50	66	0,3	2,0	360	1285	53		-20°C / +70°C
230	50	84	0,37	2,0	530	910	50		-20°C / +70°C
230	50				211 CFM				-4°F / 158°F
230	60				311 CFM				-4°F / 158°F



dBA : free blowing

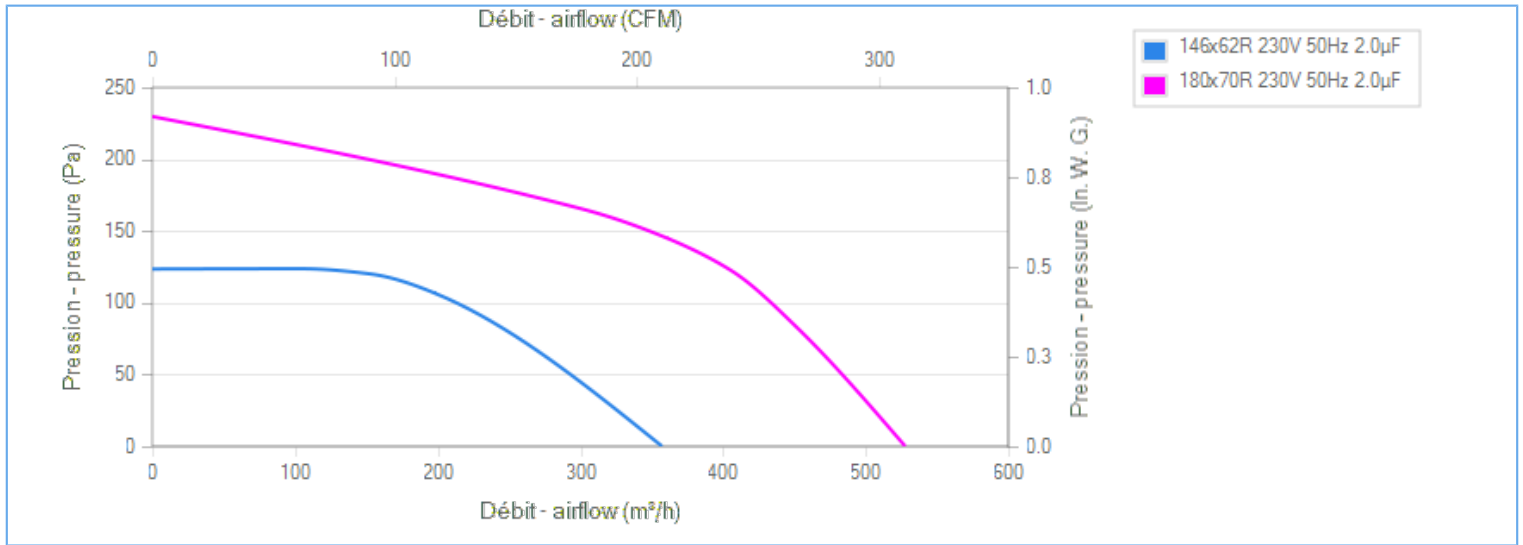
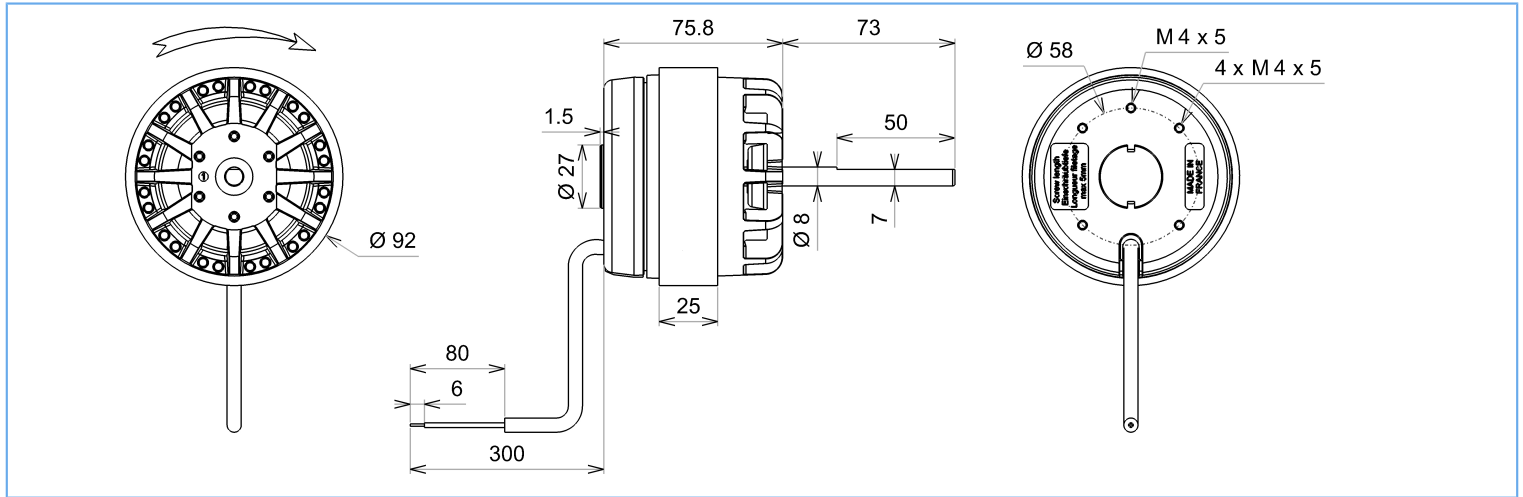
NA : not applicable

ErP 2013

NA

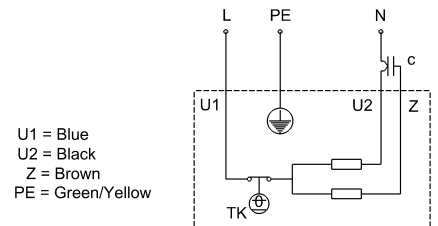
ErP 2015

NA



Description

- .Weight : 1,6 Kg
- .Ball bearing
- .Class F, thermally protected
- .IP20 Protection depending on installation and position as per EN60034-5
- .G2.5 balancing
- .Rotor : black paint
- .Maximum temperature on steel impeller 150°C.



Non contractual document. All specifications are subject to change without prior notice. Picture for information only.



4RTA25

Z27-09 p



DATA SHEET

release. i - Revision 02-2017

Data in accordance to ErP directive

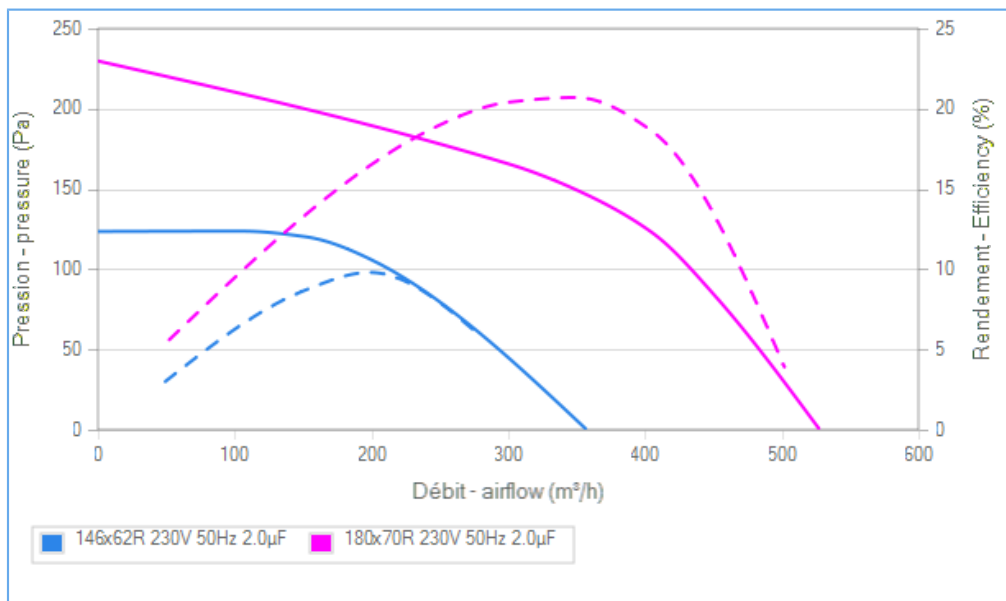
Voltage	230	V
Frequency	50	Hz
Power	0,060	kW ⁽¹⁾
Airflow	199	m ³ /h ⁽¹⁾
Pressure	106	Pa ⁽¹⁾
Rotation speed	1383	RPM ⁽¹⁾

(1) at optimal efficiency point

ErP directive (EU 2009/125/EC) not applicable.

Accessories

- 19008
- 19008
- 18104
- 18267



Measurement setup

Contact ECOFIT

Documents

Manuel d'utilisation
www.ecofit.com/site/normes

Operating and recycling manual
www.ecofit.com/anglais/normes



Non contractual document. All specifications are subject to change without prior notice. Picture for information only.