

Technical data sheet

Revision h
Revision 02/2023

ECOFIT

by

rosenberg
THE AIR MOVEMENT GROUP
VENDOME

Model
Y06-08 p

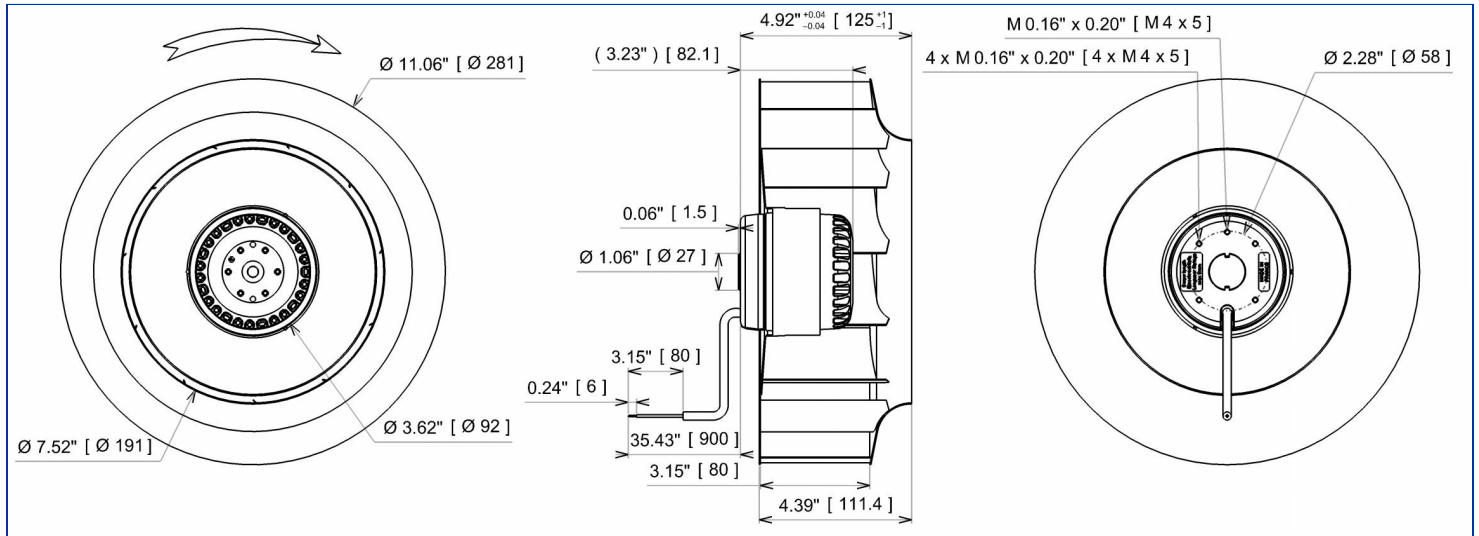


Designation **4RREu35 280x80R**

Range Backward curved centrifugal fans with single phase asynchronous motor

ELECTRICAL DATA

Speed		
Tension (V)	230	230
Frequency (Hz)	50	60
Current (A)	0.38	0.41
Maximum current (A)	0.50	0.54
Power (W)	81	94
Maximum power (W)	96	113
Rotation (RPM)	1335	1535
Cos Φ	0.927	0.997
Temperature min/max (°C)	-40/+60	-40/+70
Capacitor (µF)	2.50	2.50
U_condo (V)	400	400



MARKING & STANDARDS

Conformity

- CE
- UKCA
- UL 4RS935 2111 REC92 MonoPhase (XEW2,8)
File number E135223



The product is manufactured in accordance with EN 60335-1, UL2111, and RoHS directive 2015/863/CE
IP class according to EN 60034-5 to be checked with operation and installation

Issued: 2023-02-01 at 08:39 Documentations and pictures are non contractual, all the data of the technical file and the drawing are subject to change.

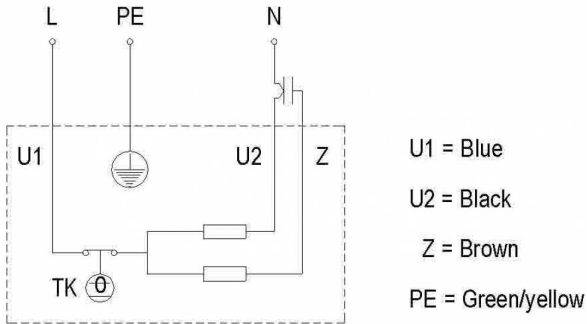
EN - Page 1 / 4

TECHNICAL DATA

Description

- Weight: 2.90 kg
- With Condensat Drain Holes
- Class F
- Protection level: 44 | Protection against ingress of solid with diameter ≥ 1 mm / Protection against ingress of water : splashing
- Motor's protection T150° C UL Automatic reset
- Bearing type: 2 ball bearings 608ZZ
- Balance level: G2.5

Wiring diagram



Finishes

- Rotor : black paint
- Galvanized steel impeller
- Motor - UL Recognized component

The product is manufactured in accordance with EN 60335-1, UL2111, and RoHS directive 2015/863/CE
IP class according to EN 60034-5 to be checked with operation and installation

Issued: 2023-02-01 at 08:39 Documentations and pictures are non contractual, all the data of the technical file and the drawing are subject to change.

EN - Page 2 / 4



by



ADDITIONAL DATA

Accessories

- 19218 | Capacitor
- 16168 | Inlet cone

Documentations

- Operating and recycling manual
<http://www.ecofit.com/anglais/normes>

Measurement setup

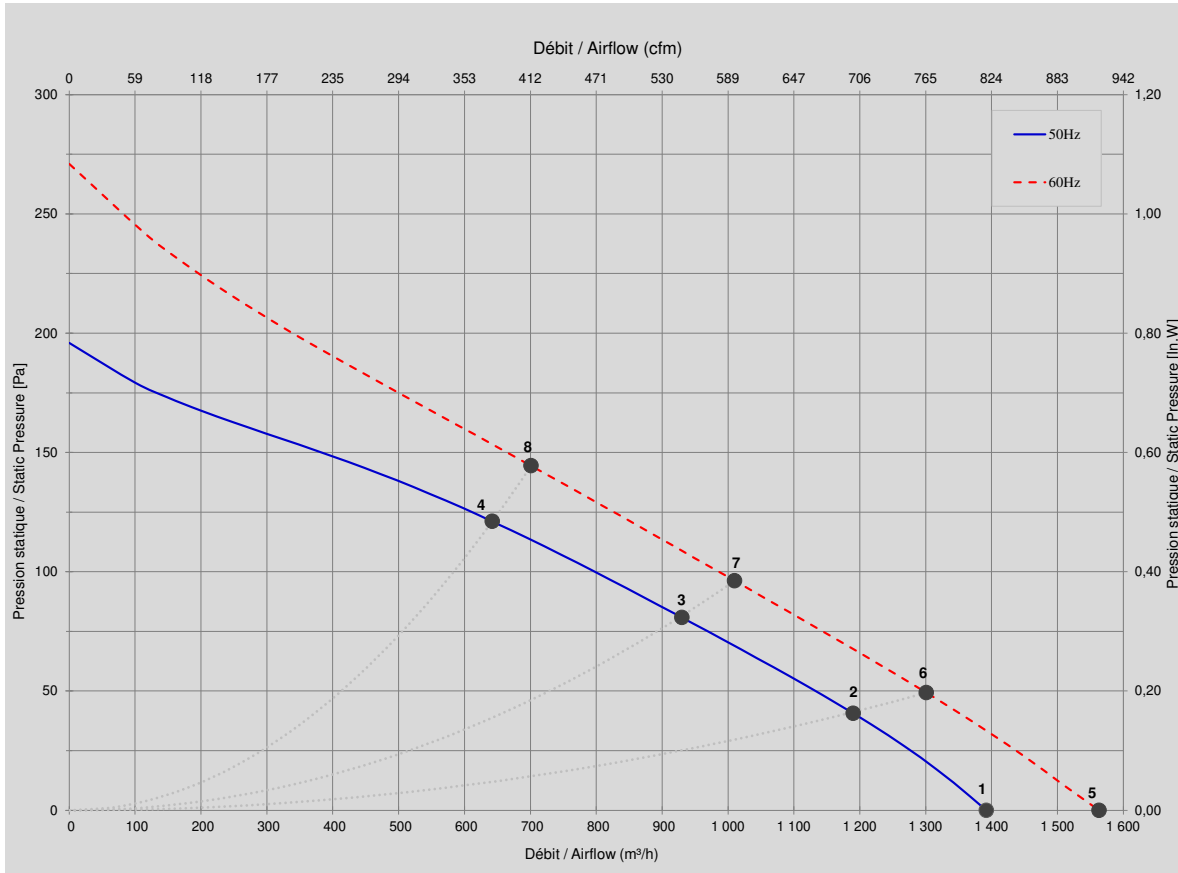
- Ouie 16168-0 OUIE Di182 De320mm H12 GALVA

ERP DATA

ErP Directive ErP (EU 2009/125/EC) not applicable:

- Power at optimum energy efficiency point <125W

TECHNICAL DATA



Mesures / Measured Values *

	Un (V)	F (Hz)	C (µF)	P (W)	n (RPM)	Q (m³/h)	P (Pa)	Q (cfm)	P (In.W)	Lp _m (dBA)
1	230	50	2,5	81	1335	1 392	0	819	0,000	60,0
2	230	50	2,5	88	1295	1 190	41	700	0,163	58,0
3	230	50	2,5	94	1246	930	81	547	0,324	56,0
4	230	50	2,5	95	1225	642	121	378	0,485	55,0
5	230	60	2,5	94	1535	1 563	0	920	0,000	64,0
6	230	60	2,5	102	1445	1 301	49	766	0,198	62,0
7	230	60	2,5	110	1345	1 010	96	594	0,386	60,0
8	230	60	2,5	112	1330	701	144	413	0,579	58,0

* Air performance measured according to: ISO 5801, installation category C.
Intake-side sound level: according to ISO 3744, LpA measured at 1 m distance from fan axis. The values given are only applicable under the specified measuring conditions and may differ depending on the installation conditions. In the event of deviation

The product is manufactured in accordance with EN 60335-1, UL2111, and RoHS directive 2015/863/CE
IP class according to EN 60034-5 to be checked with operation and installation