

Technical data sheet

Revision j
Revision 02/2024



by



Model
K09-03

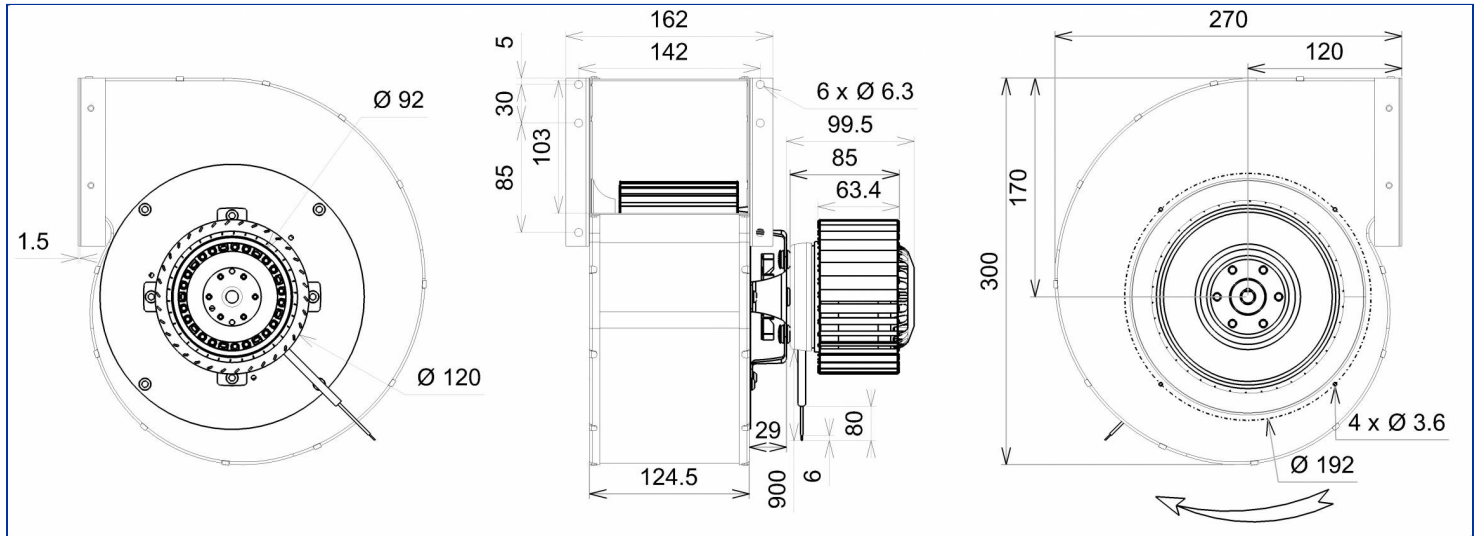


Designation **4GRA45 180x92R**

Range Fans for hot gases with single phase asynchronous motor

ELECTRICAL DATA

| Speed | | |
|--------------------------|---------|---------|
| Tension (V) | 230 | 230 |
| Frequency (Hz) | 50 | 60 |
| Current (A) | 0.56 | 0.64 |
| Maximum current (A) | 0.62 | 0.70 |
| Power (W) | 128 | 142 |
| Maximum power (W) | 128 | 142 |
| Rotation (RPM) | 1065 | 960 |
| Cos Φ | 0.994 | 0.965 |
| Temperature min/max (°C) | -20/+50 | -20/+70 |
| Capacitor (µF) | 3.00 | 2.50 |
| U_condo (V) | 400 | 400 |



MARKING & STANDARDS

Conformity

- CE



The product is manufactured in accordance with EN 60335-1, and RoHS directive 2015/863/CE
IP class according to EN 60034-5 to be checked with operation and installation

Issued: 2024-02-02 at 08:55 Documentations and pictures are non contractual, all the data of the technical file and the drawing are subject to change.

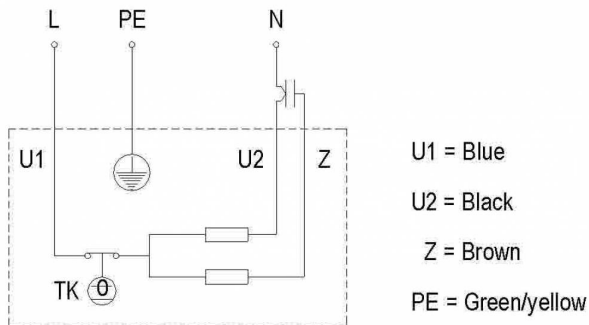
EN - Page 1 / 4

TECHNICAL DATA

Description

- Weight: 5.30 kg
- With Condensat Drain Holes
- Class F
- Protection level: 44 | Protection against ingress of solid with diameter ≥ 1 mm / Protection against ingress of water : splashing
- Motor's protection T150° C Automatic reset
- Bearing type: 2 ball bearings 6000ZZ
- Balance level: G2.5

Wiring diagram



Finishes

- Galvanized steel impeller
- Galvanized steel scroll housing
- Rotor : black paint
- 120x62R impeller on rotor
- Maximum temperature on steel impeller 150°C.

The product is manufactured in accordance with EN 60335-1, and RoHS directive 2015/863/CE
IP class according to EN 60034-5 to be checked with operation and installation

Issued: 2024-02-02 at 08:55 Documentations and pictures are non contractual, all the data of the technical file and the drawing are subject to change.

EN - Page 2 / 4



by



ADDITIONAL DATA

Accessories

- 19011 | Capacitor
- 19012 | Capacitor
- 21181 | Finger guard

Documentations

- Operating and recycling manual
<http://www.ecofit.com/anglais/normes>

Measurement setup

- Scroll 15052-a VOLUTE VJ125 R +equer Galva

ERP DATA

ErP Directive ErP (EU 2009/125/EC) not applicable:

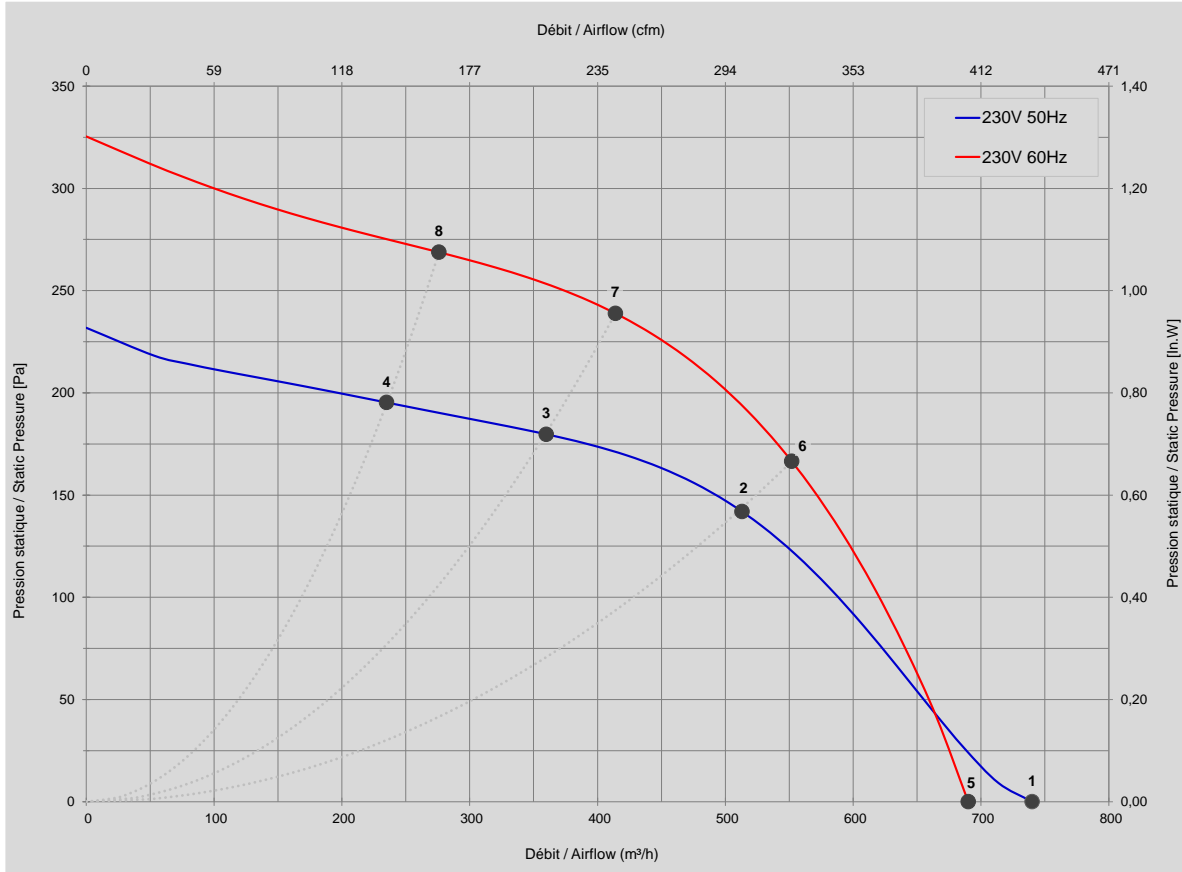
- Designed specifically where operating temperatures of the gas being moved exceed 100 °C

*The product is manufactured in accordance with EN 60335-1, and RoHS directive 2015/863/CE
IP class according to EN 60034-5 to be checked with operation and installation*

Issued: 2024-02-02 at 08:55 Documentations and pictures are non contractual, all the data of the technical file and the drawing are subject to change.

EN - Page 3 / 4

TECHNICAL DATA



Mesures / Measured Values *

| | Un (V) | F (Hz) | C (µF) | P (W) | n (RPM) | Q (m³/h) | P (Pa) | Q (cfm) | P (In.W) | Lp _m (dBA) |
|---|--------|--------|--------|-------|---------|----------|--------|---------|----------|-----------------------|
| 1 | 230 | 50 | 3 | 128 | 1065 | 740 | 0 | 436 | 0,000 | 58 |
| 2 | 230 | 50 | 3 | 101 | 1269 | 513 | 142 | 302 | 0,569 | 55 |
| 3 | 230 | 50 | 3 | 89 | 1338 | 360 | 180 | 212 | 0,720 | 55 |
| 4 | 230 | 50 | 3 | 81 | 1387 | 235 | 195 | 138 | 0,782 | 56 |
| 5 | 230 | 60 | 2,5 | 142 | 960 | 690 | 0 | 406 | 0,000 | 57 |
| 6 | 230 | 60 | 2,5 | 118 | 1351 | 552 | 166 | 325 | 0,667 | 55 |
| 7 | 230 | 60 | 2,5 | 101 | 1508 | 414 | 239 | 244 | 0,957 | 54 |
| 8 | 230 | 60 | 2,5 | 88 | 1608 | 276 | 269 | 162 | 1,077 | 54 |

* Air performance measured according to: ISO 5801, installation category C.
Intake-side sound level: according to ISO 3744, LpA measured at 1 m distance from fan axis. The values given are only applicable under the specified measuring conditions and may differ depending on the installation conditions.

The product is manufactured in accordance with EN 60335-1, and RoHS directive 2015/863/CE
IP class according to EN 60034-5 to be checked with operation and installation