

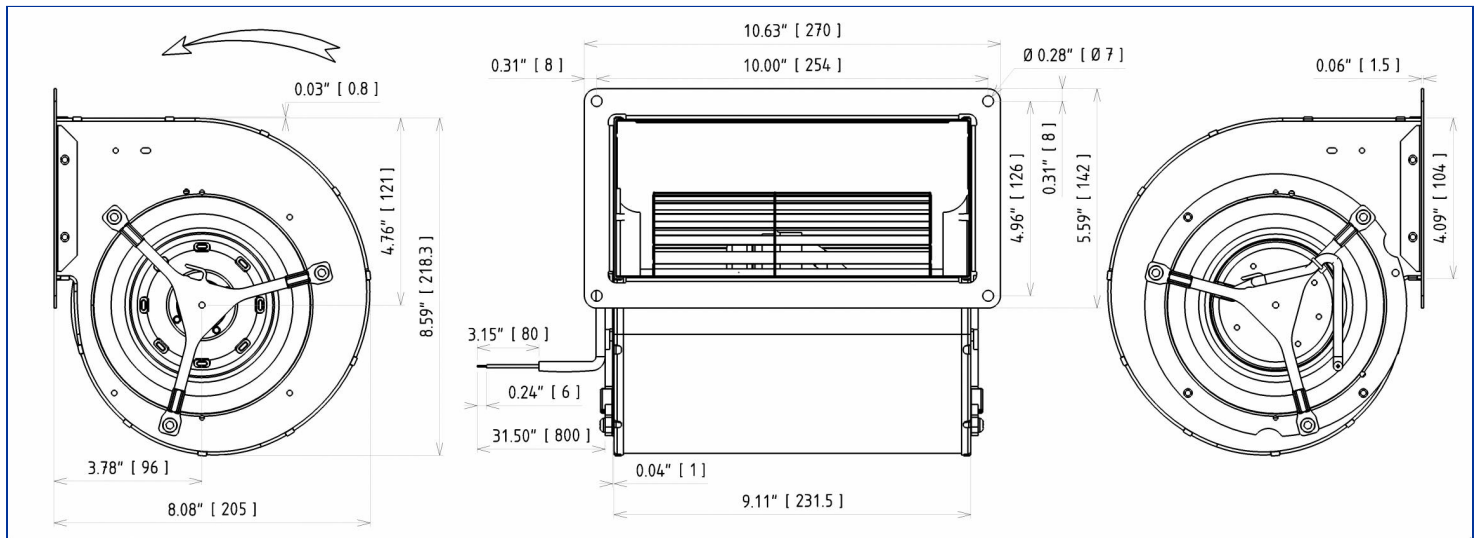


Designation **4GDSu25 146x180L**

Range Double inlet centrifugal fans with single phase asynchronous motor

ELECTRICAL DATA

Speed		
Tension (V)	230	230
Frequency (Hz)	50	60
Current (A)	0.46	0.54
Maximum current (A)	0.51	0.59
Power (W)	103	124
Maximum power (W)	103	124
Rotation (RPM)	1190	1220
Cos Φ	0.974	0.998
Temperature min/max (°C)	-40/+70	-40/+60
Capacitor (µF)	2.50	2.50
U_condo (V)	400	400



MARKING & STANDARDS

Conformity

- CE
- UL 4SS925 2111 REC92 MonoPhasé (XEW2,8)
File number E135223

ECOFIT IS E135223

4GDSu25 146-180L
230V 50/60Hz CL.F 2.5µF 400V
0.46/0.54A 103/124W 1190/1220RPM IP44

BLACK-BROWN CAPACITOR
BLACK-BLUE SECTOR
Innx 0.510.59 A
Thermally Protected
C50-A7 4SS925 16-21-0000

The product is manufactured in accordance with EN 60335-1, UL2111, and RoHS directive 2015/863/CE
IP class according to EN 60034-5 to be checked with operation and installation

Issued: 2021-06-14 at 16:35 Documentations and pictures are non contractual, all the data of the technical file and the drawing are subject to change.

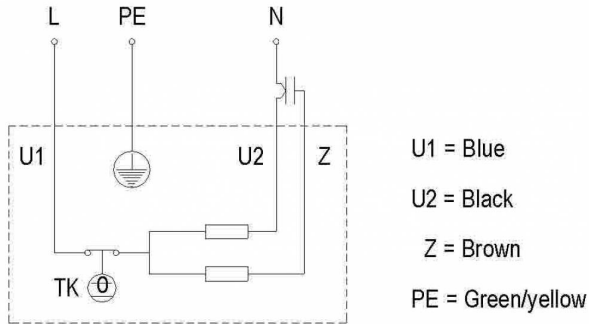
EN - Page 1 / 4

TECHNICAL DATA

Description

- Weight: 3.80 kg
- Without Condensat Drain Holes
- Class F
- Protection level: 44 | Protection against ingress of solid with diameter ≥ 1 mm / Protection against ingress of water : splashing
- Motor's protection T150° C UL Automatic reset
- Bearing type: 2 ball bearings 608ZZ
- Balance level: G2.5

Wiring diagram



Finishes

- Motor - UL Recognized component
- Galvanized steel impeller
- Galvanized scroll and frame

The product is manufactured in accordance with EN 60335-1, UL2111, and RoHS directive 2015/863/CE
IP class according to EN 60034-5 to be checked with operation and installation

Issued: 2021-06-14 at 16:35 Documentations and pictures are non contractual, all the data of the technical file and the drawing are subject to change.

EN - Page 2 / 4



ADDITIONAL DATA

Accessories

- 19218 | Capacitor
- 21338 | Finger guard

Documentations

- Operating and recycling manual
<http://www.ecofit.com/anglais/normes>

Measurement setup

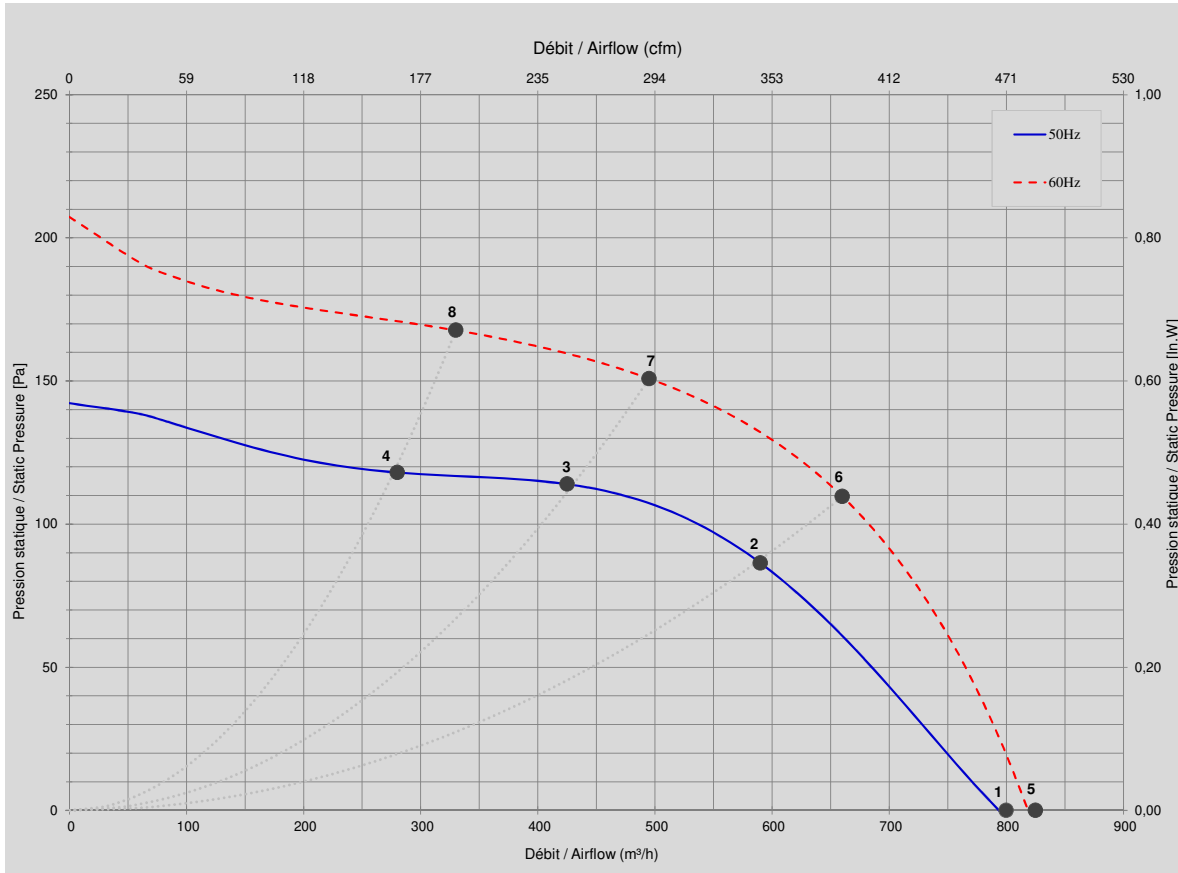
- Scroll 15279-b VOL VHD232 H23

ERP DATA

ErP Directive ErP (EU 2009/125/EC) not applicable:

- Power at optimum energy efficiency point <125W

TECHNICAL DATA



Mesures / Measured Values *

	Un (V)	F (Hz)	C (µF)	P (W)	n (RPM)	Q (m³/h)	P (Pa)	Q (cfm)	P (In.W)	Lp _m (dBA)
1	230	50	2,5	103	1190	800	0	471	0,000	58,0
2	230	50	2,5	87	1334	590	86	347	0,346	53,0
3	230	50	2,5	80	1384	425	114	250	0,457	52,0
4	230	50	2,5	76	1416	280	118	165	0,473	51,0
5	230	60	2,5	124	1220	825	0	486	0,000	59,0
6	230	60	2,5	106	1512	660	110	388	0,439	57,0
7	230	60	2,5	93	1611	495	151	291	0,604	55,0
8	230	60	2,5	84	1671	330	168	194	0,672	55,0

* Air performance measured according to: ISO 5801, installation category C.
Intake-side sound level: according to ISO 3744, LpA measured at 1 m distance from fan axis. The values given are only applicable under the specified measuring conditions and may differ depending on the installation conditions. In the event of deviation

The product is manufactured in accordance with EN 60335-1, UL2111, and RoHS directive 2015/863/CE
IP class according to EN 60034-5 to be checked with operation and installation