



4GDSu25 133x190LR

I32-A1 p



DATA SHEET

release. c - Revision 06-2018

Replace C50-A6 p

Voltage	Frequency	Input Power	Input Current	Capacitor	Airflow	Rotation speed	Direction rotation	Admissible Temperature
V	Hz	W	A	µF	m³/h	RPM		Min/Max
230	50	62	0,28	2,5	530	1105	L	-40°C / +70°C
230	60	63	0,28	2,0	520	1085	L	-40°C / +70°C
230	50				311 CFM			-40°F / 158°F
230	60				306 CFM			-40°F / 158°F

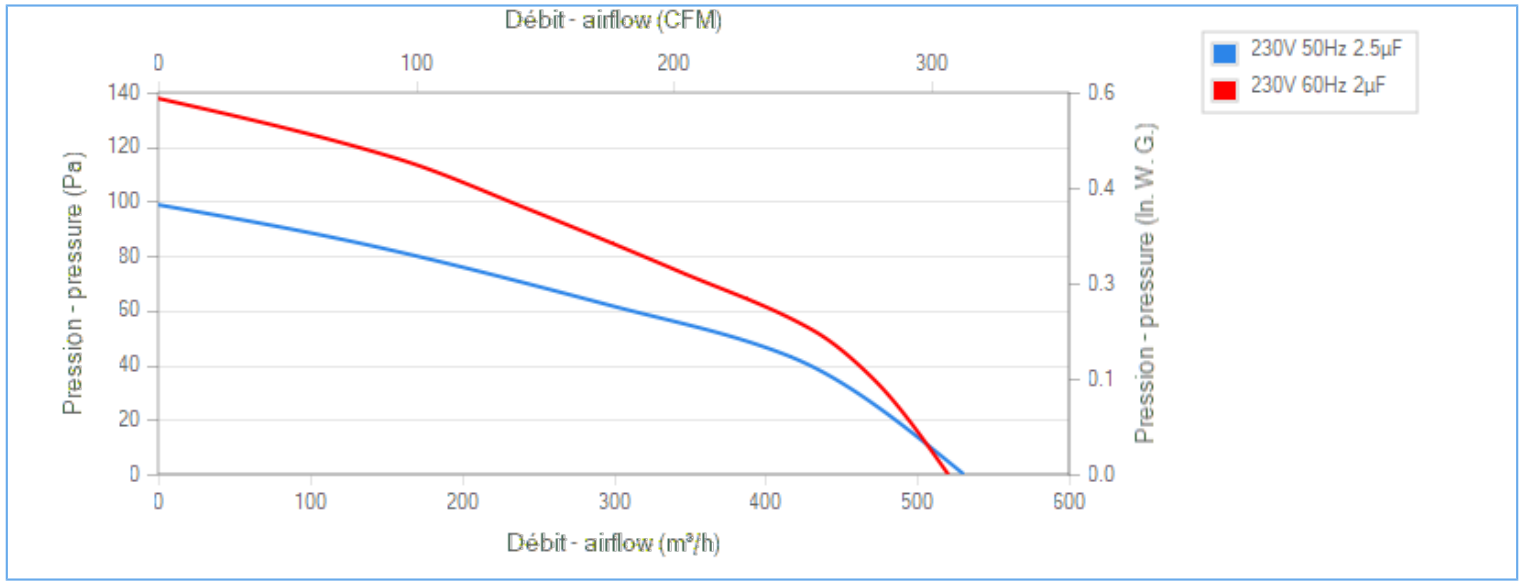
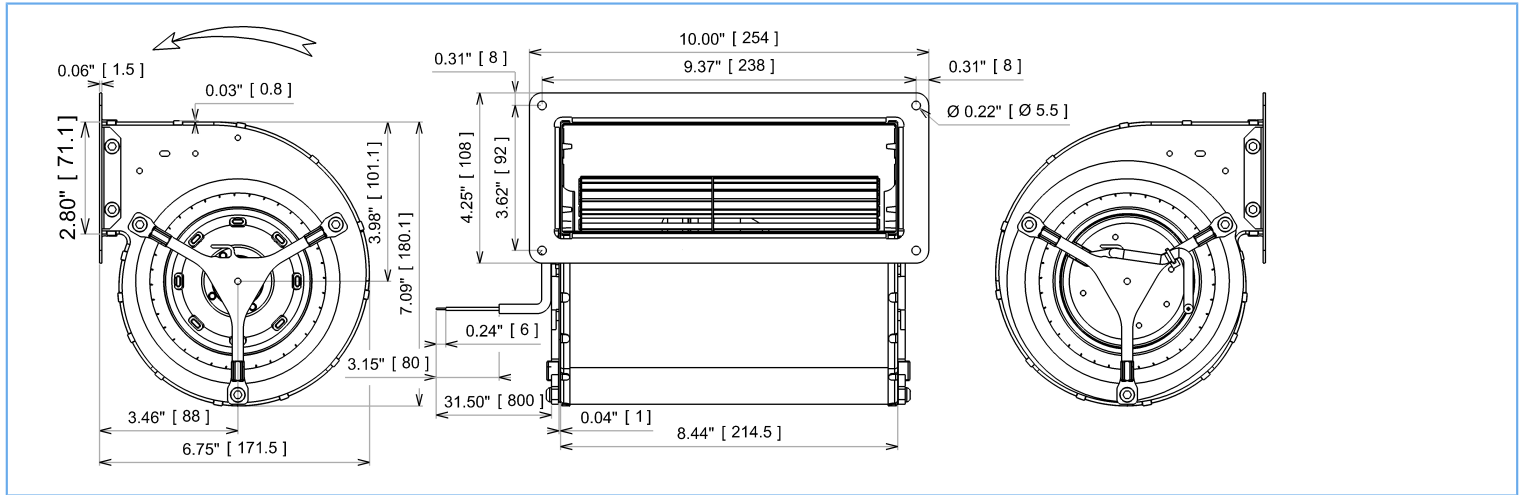
NA : not applicable

ErP 2013

NA

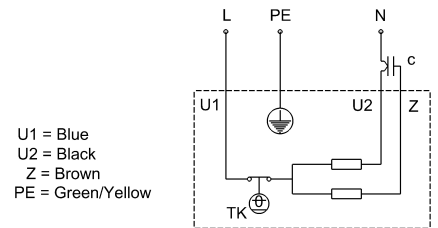
ErP 2015

NA



Description

- .Weight : 3,4 Kg
- .Ball bearing
- .Class F, thermally protected
- .IP44 protection depending on installation and position as per EN60034-5
- .G2.5 balancing
- .Ring : black paint
- .Galvanized steel impeller
- .Motor - UL Recognized component



Non contractual document. All specifications are subject to change without prior notice. Picture for information only.



4GDSu25 133x190LR

I32-A1 p

Replace C50-A6 p



DATA SHEET

release. c - Revision 06-2018

Data in accordance to ErP directive

Voltage	230	V
Frequency	50	Hz
Power	0,055	kW ⁽¹⁾
Airflow	299	m ³ /h ⁽¹⁾
Pressure	62	Pa ⁽¹⁾
Rotation speed	1315	RPM ⁽¹⁾

(1) at optimal efficiency point

ErP directive (EU 2009/125/EC) not applicable :
Power at optimum energy efficiency point

Accessories

- 19218
- 19217
- 21236
- 09145

Measurement setup

Contact ECOFIT

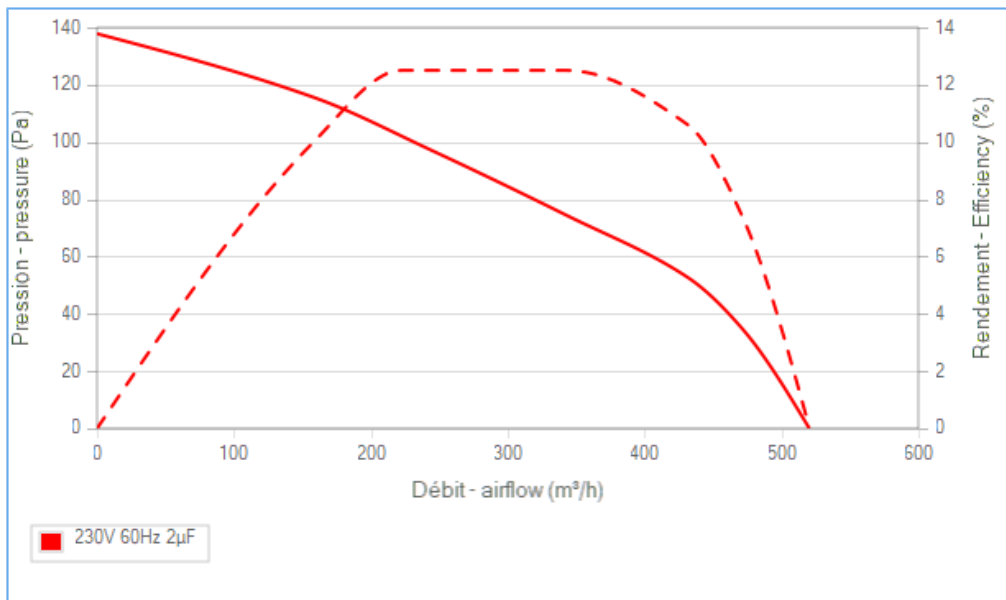
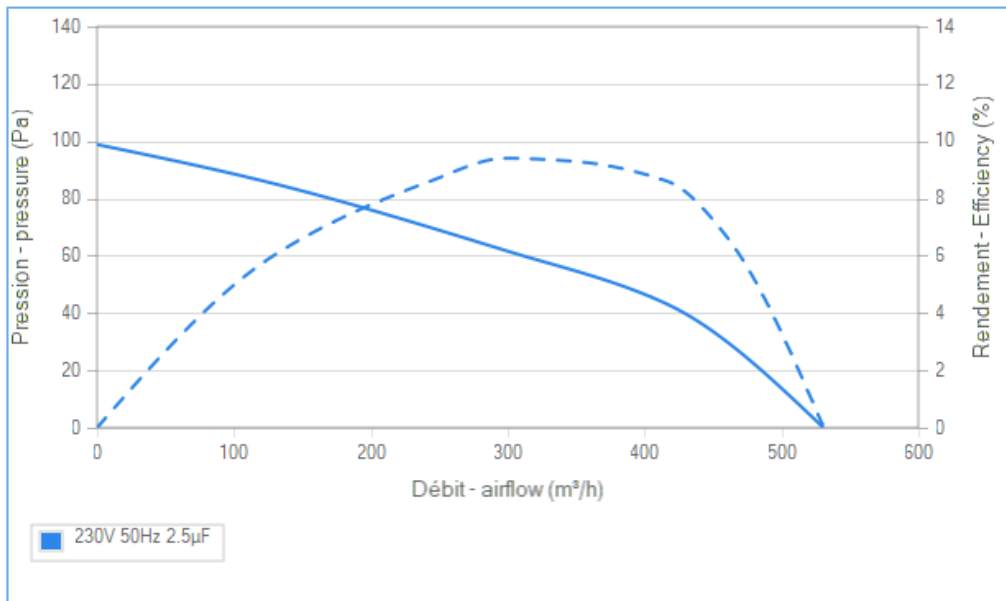
Documents

Manuel d'utilisation
www.ecofit.com/site/normes

Operating and recycling manual
www.ecofit.com/anglais/normes



UL2111 (XEWR2,8)
N° file E135223
4SS925



Non contractual document. All specifications are subject to change without prior notice. Picture for information only.