

Technical data sheet

Revision a
Revision 01/2024

ECOFIT

by

rosenberg
THE AIR MOVEMENT GROUP
VENDÔME

Model
T20-A4

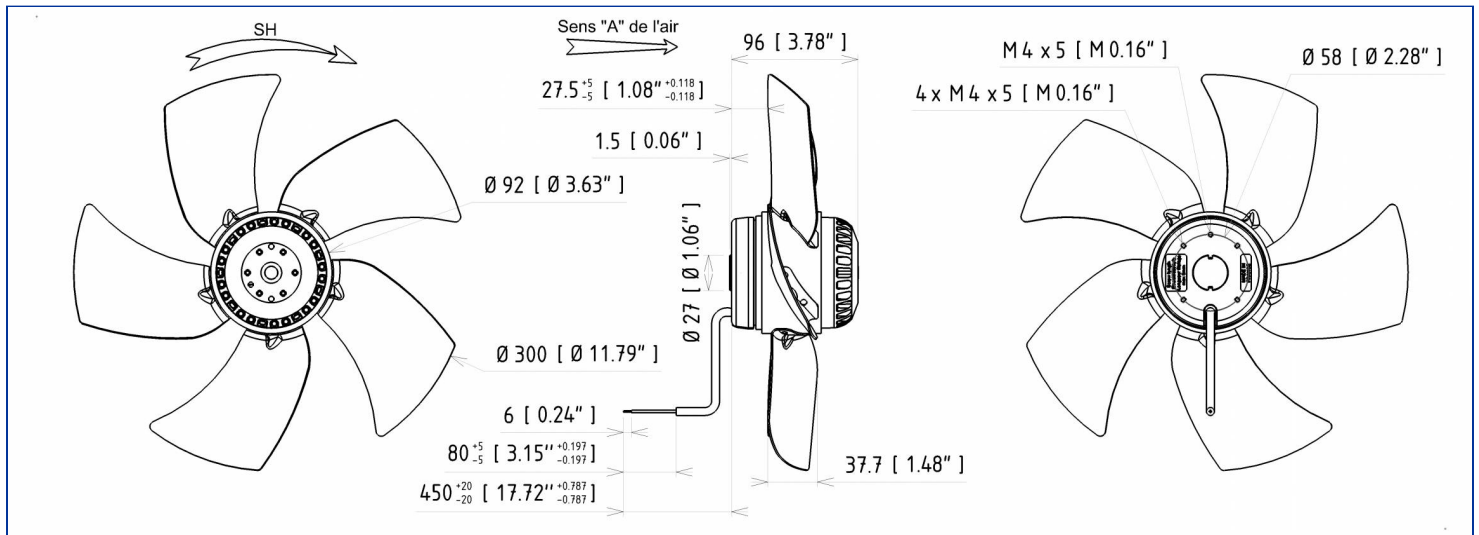


Designation **2VREut45 300A**

Range Axial fans with three phases motor

ELECTRICAL DATA

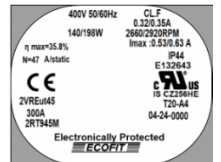
Speed		
Tension (V)	400	400
Frequency (Hz)	50	60
Current (A)	0.32	0.35
Maximum current (A)	0.53	0.63
Power (W)	140	198
Maximum power (W)	282	357
Rotation (RPM)	2660	2920
Cos Φ	0.631	0.817
Temperature min/max (°C)	-40/+70	-40/+70



MARKING & STANDARDS

Conformity

- **CE**
- **UL 2RT945M 1004 REC92 TriPhasé (PRGY2,8)**
File number E132643



The product is manufactured in accordance with EN 60335-1, UL 1004, and RoHS directive 2015/863/CE
IP class according to EN 60034-5 to be checked with operation and installation

Issued: 2024-01-26 at 10:53 Documentations and pictures are non contractual, all the data of the technical file and the drawing are subject to change.

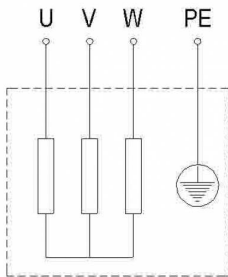
EN - Page 1 / 4

TECHNICAL DATA

Description

- Weight: 2.85 kg
- With Condensat Drain Holes
- Class F
- Protection level: 44 | Protection against ingress of solid with diameter ≥ 1 mm / Protection against ingress of water : splashing
- Motor's protection Electronically protected
- Bearing type: 2 ball bearings 608ZZ + 6000ZZ
- Balance level: G6.3

Wiring diagram



- U = Black
- V = Blue
- W = Brown
- PE = Green/Yellow

Finishes

- Zinc coated impeller
- Rotor and impeller : black paint

The product is manufactured in accordance with EN 60335-1, UL1004, and RoHS directive 2015/863/CE
IP class according to EN 60034-5 to be checked with operation and installation

Issued: 2024-01-26 at 10:53 Documentations and pictures are non contractual, all the data of the technical file and the drawing are subject to change.

EN - Page 2 / 4



by



ADDITIONAL DATA

Documentations

- Operating and recycling manual
<http://www.ecofit.com/anglais/normes>

Measurement setup

- Ring 16086-0 VIROLE V300 RONDE

ERP DATA

Data according to ErP directive

- Designed for standard applications according to the directive EU 2009/125/EC

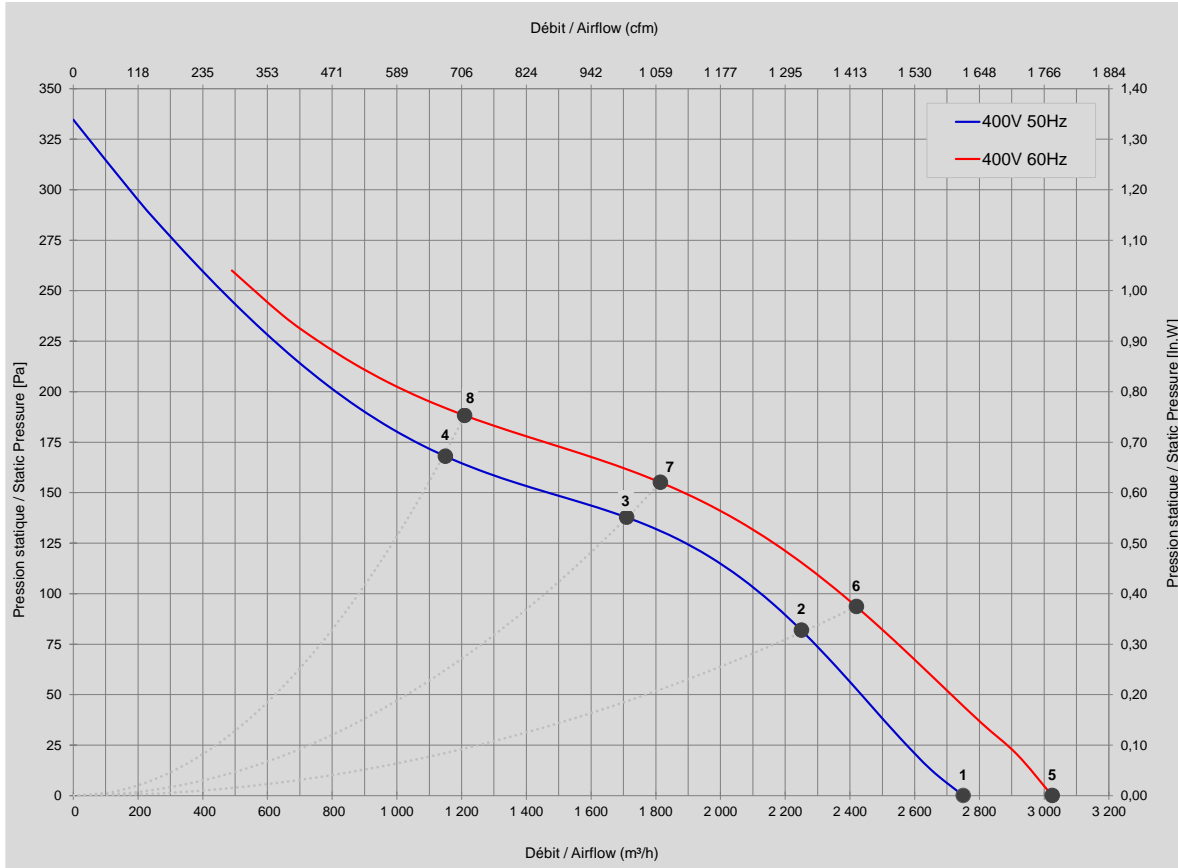
Tension	400 V
Frequency	50 Hz
Power ¹	0.188 kW
Airflow ¹	1787 m3/h
Pressure ¹	136 Pa
Rotation ¹	2490 RPM
Catégorie de mesure	A
Catégorie de rendement	total
Variateur de vitesse	No
Rapport spécifique	1.00

	Actual	2015
Rendement global	35.8	29.1
Niveau de rendement	47	40

¹ at optimum energy efficiency point

TECHNICAL DATA

Do not use in pumping zone.



Mesures / Measured Values *

	Un (V)	F (Hz)	C (µF)	P (W)	n (RPM)	Q (m³/h)	P (Pa)	Q (cfm)	P (In.W)	Lp _m (dBA)
1	400	50	-	140	2660	2 750	0	1 619	0,000	71
2	400	50	-	170	2544	2 250	82	1 324	0,328	67
3	400	50	-	188	2490	1 710	138	1 007	0,552	72
4	400	50	-	204	2490	1 150	168	677	0,673	75
5	400	60	-	198	2920	3 025	0	1 781	0,000	75
6	400	60	-	236	2748	2 420	94	1 424	0,375	70
7	400	60	-	257	2652	1 815	155	1 068	0,621	74
8	400	60	-	276	2561	1 210	188	712	0,754	76

* Air performance measured according to: ISO 5801, installation category C.
Intake-side sound level: according to ISO 3744, LpA measured at 1 m distance from fan axis. The values given are only applicable under the specified measuring conditions and may differ depending on the installation conditions.

The product is manufactured in accordance with EN 60335-1, UL1004, and RoHS directive 2015/863/CE
IP class according to EN 60034-5 to be checked with operation and installation