



# 2VREu45 300A

# Q44-A0 p

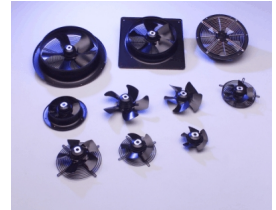


## DATA SHEET

release. 0 - Revision 01-2018

Replace J09-A7 p

Voltage	Frequency	Input Power	Input Current	Capacitor	Airflow	Rotation speed	Acoustic level	Direction rotation	Admissible Temperature
V	Hz	W	A	µF	m³/h	RPM	dBA	↻	Min/Max
230	50	167	0,73	6,0	2715	2675	67	R	-40°C / +55°C
230	60	236	1,04	6,0	3000	2980	70	R	-40°C / +50°C
230	50				1598 CFM				-40°F / 131°F
230	60				1765 CFM				-40°F / 122°F



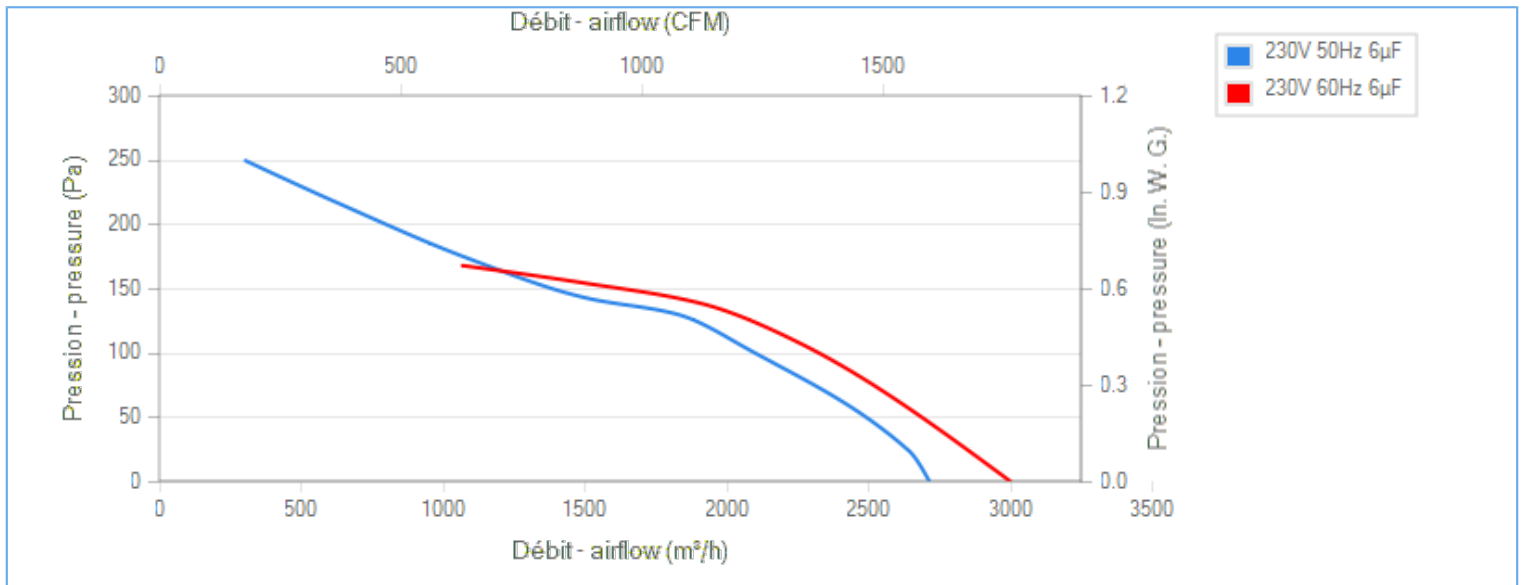
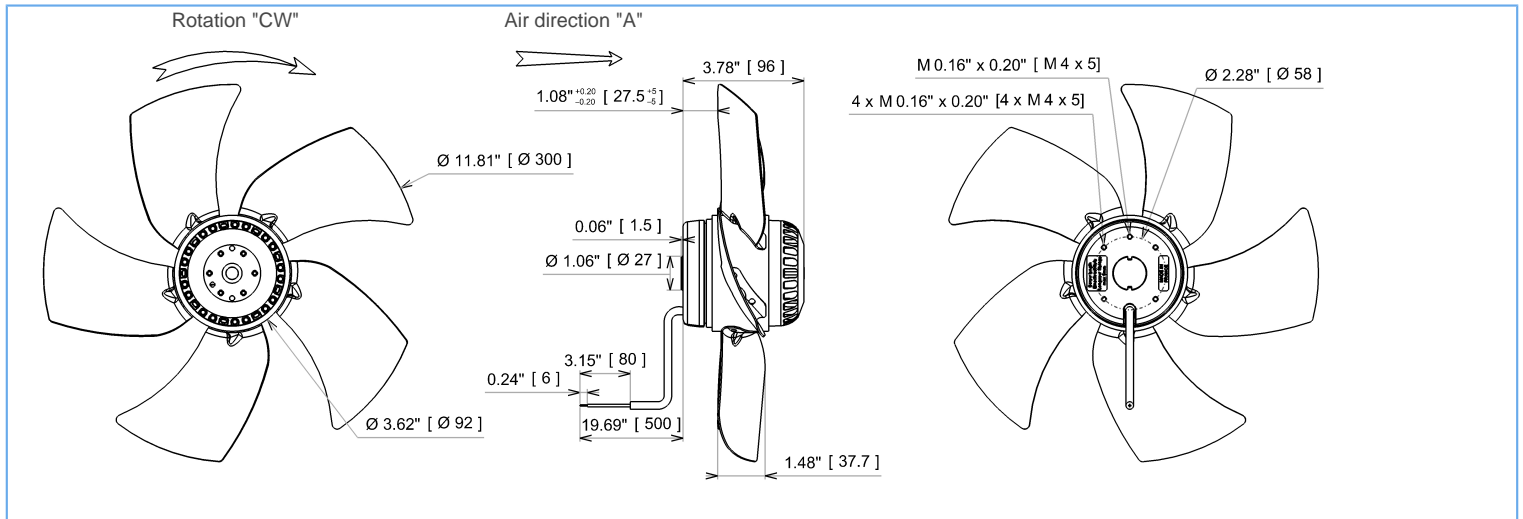
dBA : free blowing

ErP 2013

OK

ErP 2015

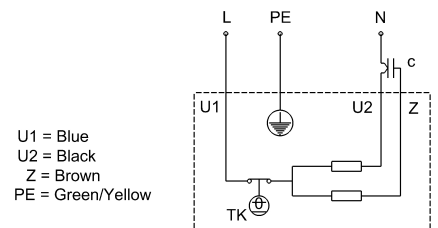
OK



Tested with ECOFIT ring

### Description

- .Weight : 2,9 Kg
- .Ball bearing
- .Class F, thermally protected
- .IP44 protection depending on installation and position as per EN60034-5
- .G6.3 balancing
- .Zinc coated impeller
- .Rotor and impeller : black paint
- .Motor - UL Recognized component





2VREu45 300A

Q44-A0 p

Replace J09-A7 p



# DATA SHEET

release. 0 - Revision 01-2018

## Data in accordance to ErP directive

Voltage	230	V
Frequency	50	Hz
Power	0,211	kW <sup>(1)</sup>
Airflow	1824	m <sup>3</sup> /h <sup>(1)</sup>
Pressure	130	Pa <sup>(1)</sup>
Rotation speed	2502	RPM <sup>(1)</sup>
(1) at optimal efficiency point		

	Actual	Request 2013	Request 2015
Overall efficiency ( $\eta$ )	31,1	25,4	29,4
Efficiency grade	42	36	40
Installation category	A		
Efficiency category	static		
Variable speed drive	No		
Specific ratio	1,00		

Designed for regular application according ErP directive EU 2009/125/EC

## Accessories

- 19221
- 19221
- 39658
- 09172

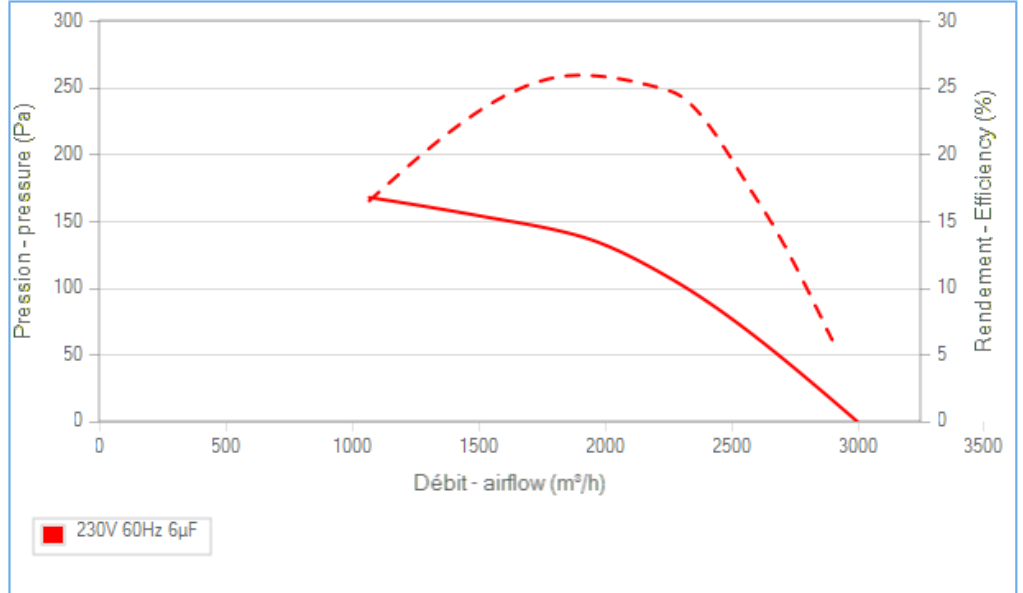
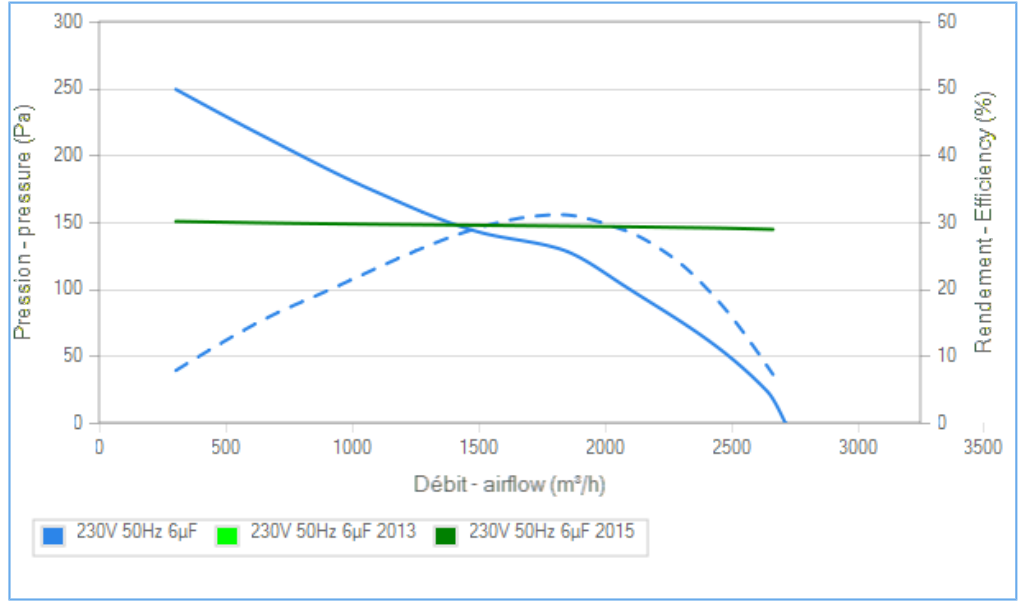
## Measurement setup

16086 VIROLE V300 RONDE

## Documents

Manuel d'utilisation  
[www.ecofit.com/site/normes](http://www.ecofit.com/site/normes)

Operating and recycling manual  
[www.ecofit.com/anglais/normes](http://www.ecofit.com/anglais/normes)



Non contractual document. All specifications are subject to change without prior notice. Picture for information only.



UL2111 (XEW2,8)  
 N° file E135223  
 2RS945